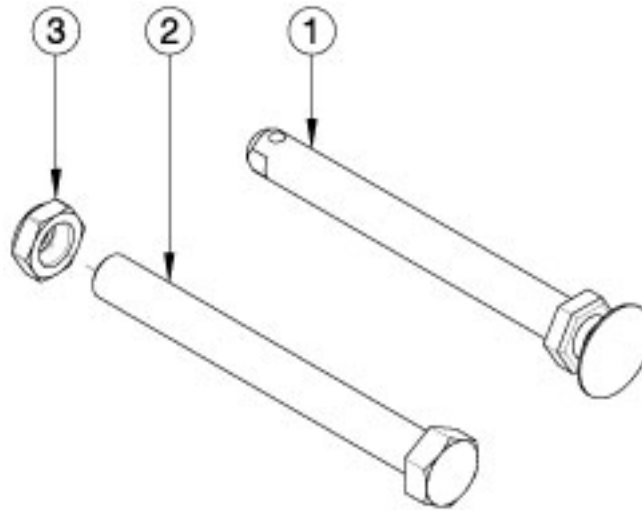


CR45 Axles



Item Number	Part Number	Description	Quantity
1a	101191	Axle Quick Release w/ Button 1/2" x 110MM	1
1b	102371	Axle Quick Release w/ Button 1/2" x 122mm	1
2	102086	Fixed Axle 1/2-20 x 5 1/2 LG HHCS Blk Zn <i>If retrofitting, 101459 is needed as well.</i>	1
3	101459	1/2-20 NTE JAM NYL INS L/N BLK ZC	1

CR45 Axle Reference

Quick Release Axles	
Wheel / Condition	Receiver
	112500
12" and 16" Mag wheels with Push/Pull Wheel Locks	101191
MAXX Mag wheels with Attendant Foot Lock and/or T-Arms <u>ARE NOT</u> present	101191
12" and 16" Mag wheels with Attendant Foot Lock	102371
X Core Mag wheels	102371
MAXX Mag wheels and Attendant Foot Lock and/or T-Arms <u>ARE</u> Present	102371

Fixed Axles	
Wheel	Receiver
	112500 + 112501
ALL Wheels	102086

Axle Part Numbers	
Push Button Style	Threaded (Fixed)
101191 (1/2" x 110mm)	102086 (1/2" x 5-1/2")
102371 (1/2" x 122mm)	

CR45 Axles and Receivers

To find the appropriate axle, first establish the axle receiver according to the RECEIVERS section and then determine the axle using the AXLES section.

RECEIVERS

Receiver: 112500

Description: Axle Plate, Weldment

Used When: Always

Receiver: 112501

Description: Threaded Axle Receiver

Used When: Fixed Axles are present

AXLES

Quick Release Axles:

Use 101191 when 12" and 16" Mag wheels and Push/Pull to Lock wheel locks ARE present

Use 101191 when MAXX Mag wheels and Attendant Foot Lock and/or T-Arms ARE NOT present

Use 102371 when 12" and 16" Mag wheels and Attendant Foot Lock ARE present

Use 102371 when X Core Mag wheels ARE present

Use 102371 when MAXX Mag wheels and Attendant Foot Lock and/or T-Arms ARE present

Fixed Axles:

Use 102086 with ALL wheels

Quick Release Axle Measuring Guide

To identify which axle you have: Set your axle on the printed copy of this page (do not scale when printing) or take the measurement as shown and locate which overall dimension matches that of the axle you have.

Note: The overall length is not the same as the "useable length" which is the length used in the part description. Images of all axles are shown below.

