



# Q7 AND ZIPPIE ZONE BACKREST BRACKET INSTALLATION



Please read these instructions carefully before beginning the installation. Failure to understand and follow installation instructions may result in injury to installer and/or end user and may void the warranty. If you have any questions call Sunrise Medical Technical support at 800.333.4000

## I. Parts included:

- One pair Backrest Brackets (Q7), or (Zone)
- 2x Adjuster Backrest insert
- 4x M6x1 Nylok Nut
- 4x M6 BHCS one size-35mm,40mm, 45mm, 50mm, or 55mm.

## 2. Tools needed for installation:

- 4mm and 5mm Hex wrench
- 10mm wrench

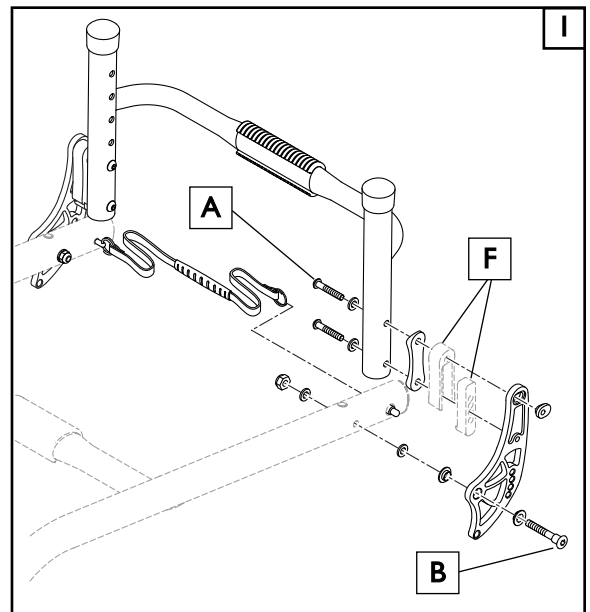
## I. BACKREST BRACKET INSTALLATION

**NOTE**– It is suggested that the Backrest Brackets be installed one side at a time.

### Replacing the Backrest Brackets

#### I. Removal of old Brackets: Q7 and Zippie Zone

- Using a 4mm hex wrench, remove the two button head bolts (A) from the inside of the Backrest cane.
- Using the 5mm hex wrench and 10mm wrench, remove the pivot bolt (B) and associated hardware connecting the bracket to the frame
- After carefully removing the hardware, keep all assembly pieces in a secure place, as some of these parts will be used in the installation of the new set of brackets.



**NOTE**– Backrest insert spacers (F) are not included with all backrests, you will need to add them to the new installation if they are included in the old assembly.

#### 2. Installation of the new Backrest Bracket (Q7)

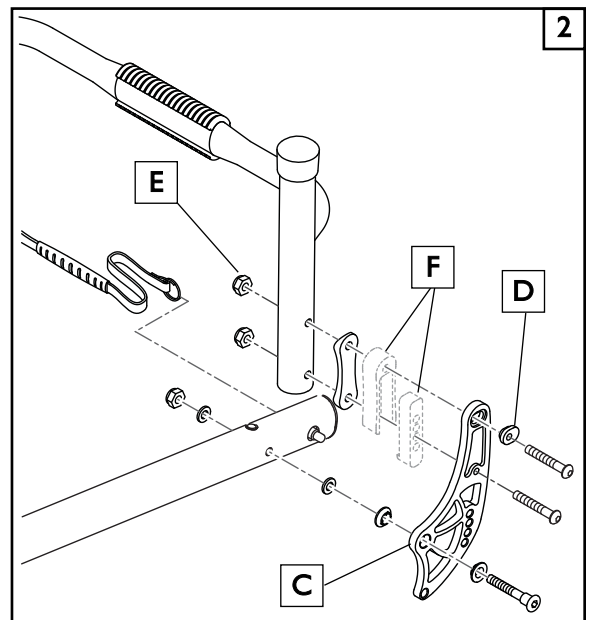
- Install the new Bracket (C) in the reverse order of sub-section I paying close attention to the order and location of hardware in figure 2. Be sure to use the new backrest insert (D) and slide (2) new bolts and the Pivot bolt (B) thru the hardware, partially securing the Backrest bracket assembly to the frame.
- Attach and hand-tighten the Nylock nuts. (E).



- Using both the 10mm wrench and the 4mm Hex wrench, tighten Nylock nuts on new bolts to 62 in-lb. Do not overtighten.
- To re-attach the Pivot bolt, nut and washer, use both the 10mm wrench and 5mm hex wrench to bring the top of the Nut even with the end of the bolt.

**NOTE**– Do not over-tighten the backrest Plate Pivot bolt as it may hinder the backrest from folding properly.

- Checking the installation, the Backrest bracket should be perpendicular to the rolling surface, and secure.



**3. Installation of new Backrest Bracket (Zippie Zone) 3**

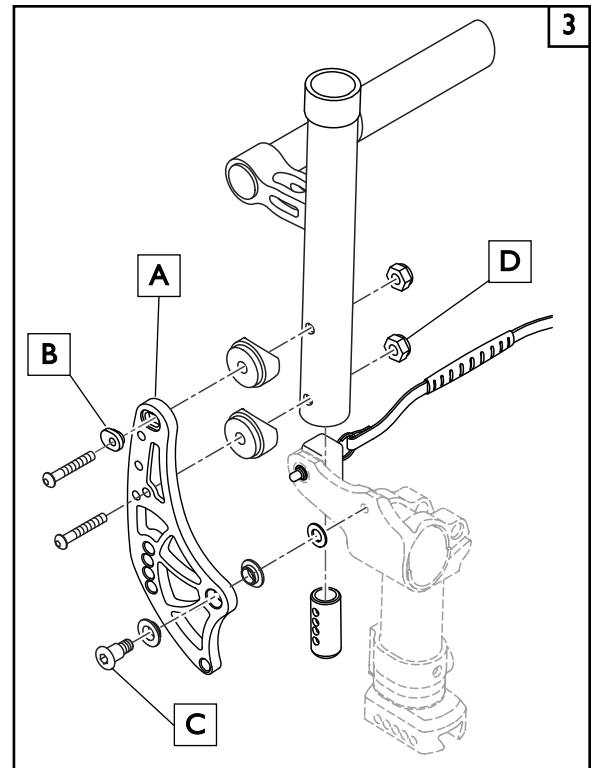
- a. Install the new Bracket (A) in the reverse order of sub-section 1, paying close attention to the order and location of hardware in figure 3. Be sure to use the new backrest insert (B) and slide (2) new bolts and the Pivot bolt (C) thru the assembly pieces, partially securing the Backrest bracket assembly to the frame.
- b. Attach and hand-tighten the Nylock nuts. (D).



- c. Using both the 10mm wrench and the 4mm Hex wrench, tighten Nylock nuts on new bolts to 62 in-lb. Do not overtighten.
- d. To re-attach Pivot bolt, inserts, and washer, use both the 10mm wrench and 5mm hex wrench to tighten the Pivot bolt.

**NOTE**– Do not over-tighten the backrest Plate Pivot bolt as it may hinder the backrest from folding properly.

- e. Checking the installation, the Backrest bracket should be perpendicular to the rolling surface, and secure.



Sunrise Medical • 2842 Business Park Ave. • Fresno, CA 93727 • USA  
In Canada (800) 263-3390