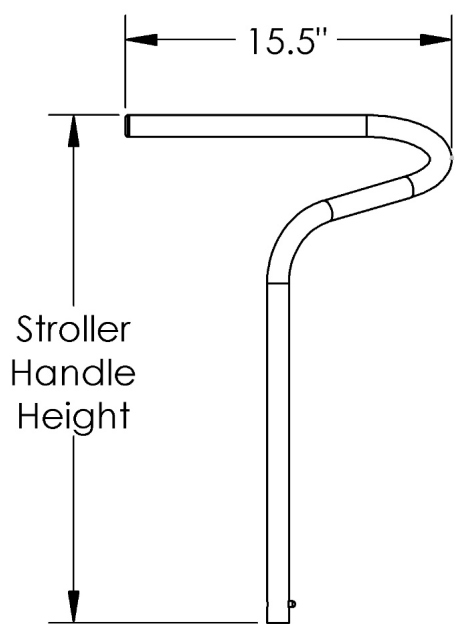
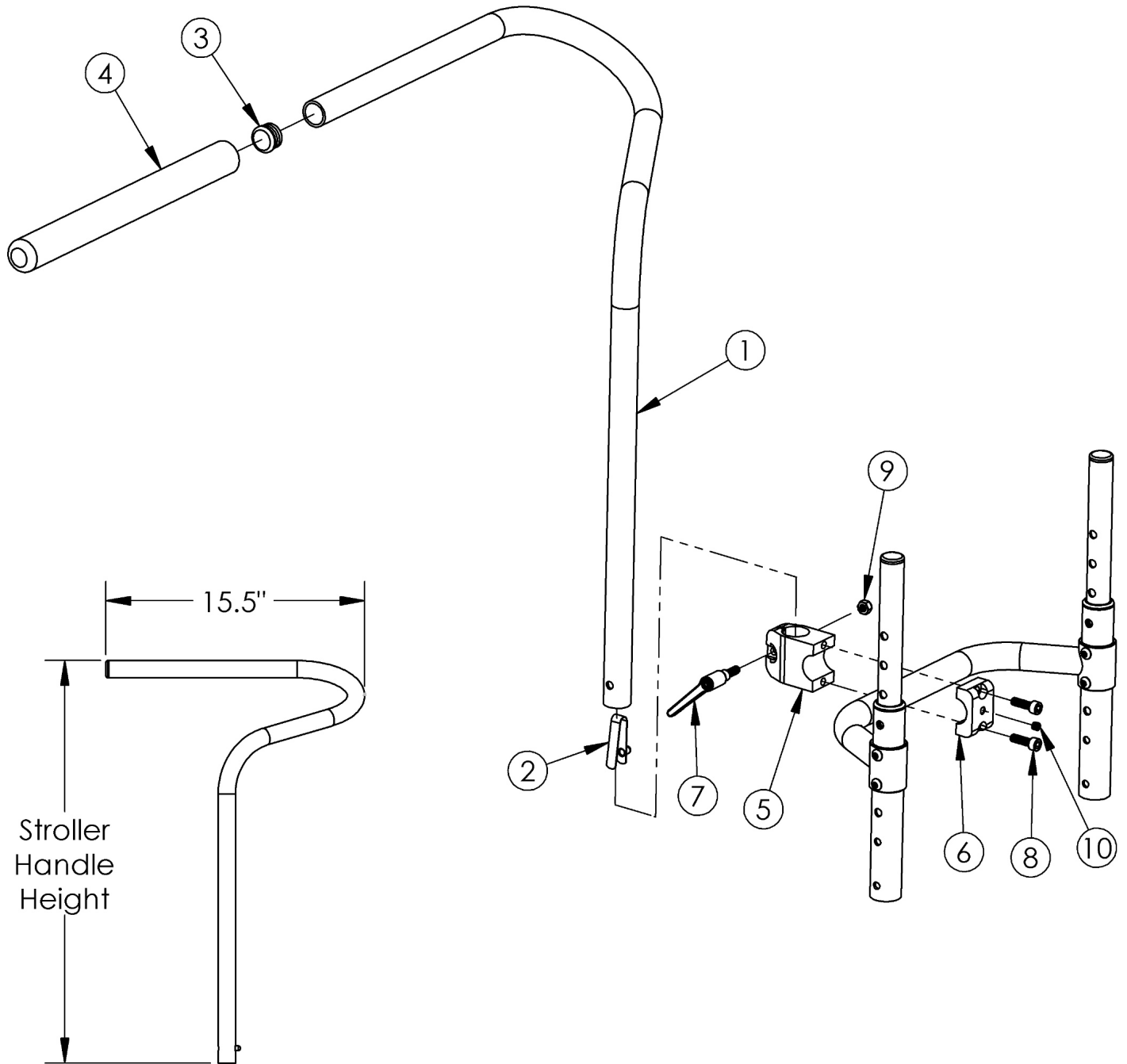


Ergo Stroller Handle



Ergo Stroller Push Handle

Size	Height
Short	20.5"
Tall	28.5"

Item Number	Part Number	Description	Quantity
5- 10	503799	Ergo Stroller Handle Clamp Assembly	1

Item Number	Part Number	Description	Quantity
1a, 2-10	503800	Ergo Stroller Handle Assembly Short Rigid <i>Used with rear seat heights 15" or taller</i>	1
1b, 2-10	503801	Ergo Stroller Handle Assembly Tall Rigid <i>Used with rear seat heights less than 15"</i>	1
1a, 2-4	502432	Tube Ergo Stroller Handle Short Rigid <i>Used with rear seat heights 15" or taller</i>	1
1b, 2-4	502433	Tube Ergo Stroller Handle Tall Rigid <i>Used with rear seat heights less than 15"</i>	1
2	100534	Detent Button Lower	1
3	100803	Tube End Plug 7/8"	1
5	000540	Stroller Handle Clamp Rigid	1
6, 8, 10	503802	Push Handle Half Clamp w/ Set Screw	1
7	102734	Stroller Handle Clamp Handle (16mm) Rigid/Flip/Tyke	1
8	101180	M6 x 20 SHCS BLK ZC	2
9	100658	M6 Nylock Nut Blk Zn	1