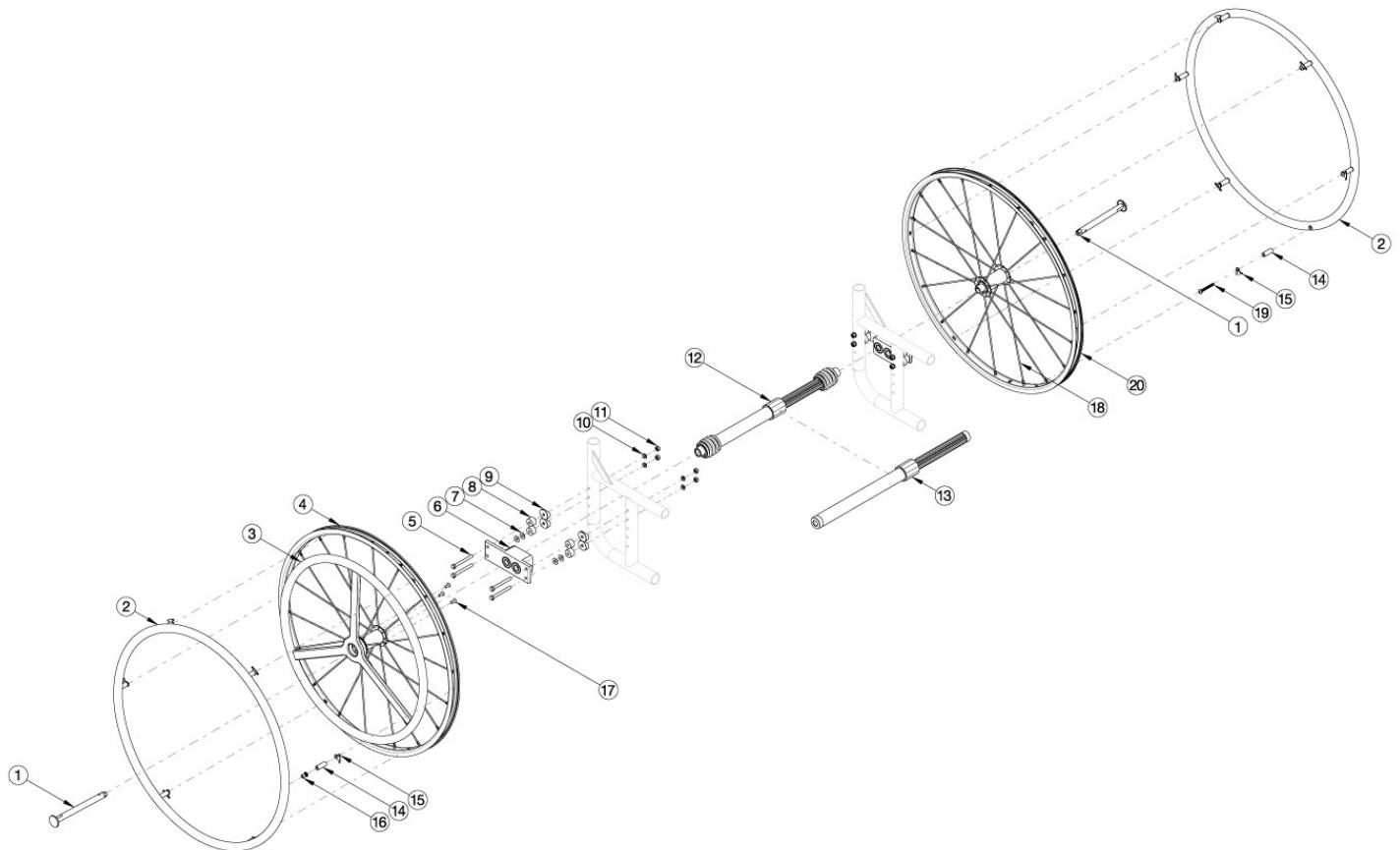


# Catalyst / Spark 20" One Arm Drive Quick Release - Aluminum Drive Handrim



Reference Catalyst One Arm Drive (Quick Release) Hardware and Drive Shaft Chart to determine which retrofit kit is needed for your configuration. Effective 5/13/2022, all One Arm Drives will be shipped with a close mounted handrim on the non-drive wheel. Tires need to be quoted separately.

Item Number	Part Number	Description	Quantity
1, 2a, 3a, 4, 5a - 5j, 6-8, 9a, 9b, 10, 11, 13a, 14-20	112765	Catalyst Quick Release One Arm Drive Retrofit Kit, 0° Camber, 20" Spoke with Aluminum Drive Handrim, Aluminum Non Drive Handrim, 177-255mm Drive Shaft	1
1, 2a, 3a, 4, 5a - 5j, 6-8, 9a, 9b, 10, 11, 13b, 14-20	112766	Catalyst Quick Release One Arm Drive Retrofit Kit, 0° Camber, 20" Spoke with Aluminum Drive Handrim, Aluminum Non Drive Handrim, 225-295mm Drive Shaft	1
1, 2a, 3a, 4, 5a - 5j, 6-8, 9a, 9b, 10, 11, 13c, 14-20	112767	Catalyst Quick Release One Arm Drive Retrofit Kit, 0° Camber, 20" Spoke with Aluminum Drive Handrim, Aluminum Non Drive Handrim, 260-370mm Drive Shaft	1
1, 2a, 3a, 4, 5a - 5j, 6-8, 9a, 9b, 10, 11, 13d, 14-20	112768	Catalyst Quick Release One Arm Drive Retrofit Kit, 0° Camber, 20" Spoke with Aluminum Drive Handrim, Aluminum Non Drive Handrim, 330-440mm Drive Shaft	1

Item Number	Part Number	Description	Quantity
1, 2a, 3a, 4, 5a - 5j, 6-8, 9a, 9b, 10, 11, 13e, 14-20	112769	Catalyst Quick Release One Arm Drive Retrofit Kit, 0° Camber, 20" Spoke with Aluminum Drive Handrim, Aluminum Non Drive Handrim, 421-491mm Drive Shaft	1
1, 2a, 3a, 4, 5a - 5j, 6-8, 9a, 9b, 10, 11, 13f, 14-20	112770	Catalyst Quick Release One Arm Drive Retrofit Kit, 0° Camber, 20" Spoke with Aluminum Drive Handrim, Aluminum Non Drive Handrim, 484-595mm Drive Shaft	1
1, 2a, 3a, 4, 5a - 5j, 6-8, 9a, 9b, 10, 11, 12a, 14-20	112771	Catalyst Quick Release One Arm Drive Retrofit Kit, 2° Camber, 20" Spoke with Aluminum Drive Handrim, Aluminum Non Drive Handrim, 180-210mm Drive Shaft	1
1, 2a, 3a, 4, 5a - 5j, 6-8, 9a, 9b, 10, 11, 12b, 14-20	112772	Catalyst Quick Release One Arm Drive Retrofit Kit, 2° Camber, 20" Spoke with Aluminum Drive Handrim, Aluminum Non Drive Handrim, 195-235mm Drive Shaft	1
1, 2a, 3a, 4, 5a - 5j, 6-8, 9a, 9b, 10, 11, 12c, 14-20	112773	Catalyst Quick Release One Arm Drive Retrofit Kit, 2° Camber, 20" Spoke with Aluminum Drive Handrim, Aluminum Non Drive Handrim, 220-280mm Drive Shaft	1
1, 2a, 3a, 4, 5a - 5j, 6-8, 9a, 9b, 10, 11, 12d, 14-20	112774	Catalyst Quick Release One Arm Drive Retrofit Kit, 2° Camber, 20" Spoke with Aluminum Drive Handrim, Aluminum Non Drive Handrim, 270-330mm Drive Shaft	1
1, 2a, 3a, 4, 5a - 5j, 6-8, 9a, 9b, 10, 11, 12e, 14-20	112775	Catalyst Quick Release One Arm Drive Retrofit Kit, 2° Camber, 20" Spoke with Aluminum Drive Handrim, Aluminum Non Drive Handrim, 295-370mm Drive Shaft	1
1, 2a, 3a, 4, 5a - 5j, 6-8, 9a, 9b, 10, 11, 12f, 14-20	112776	Catalyst Quick Release One Arm Drive Retrofit Kit, 2° Camber, 20" Spoke with Aluminum Drive Handrim, Aluminum Non Drive Handrim, 350-460mm Drive Shaft	1
1, 2a, 3a, 4, 5a - 5j, 6-8, 9a, 9b, 10, 11, 12g, 14-20	112777	Catalyst Quick Release One Arm Drive Retrofit Kit, 2° Camber, 20" Spoke with Aluminum Drive Handrim, Aluminum Non Drive Handrim, 420-530mm Drive Shaft	1
1, 2b, 3a, 4, 5a - 5j, 6-8, 9a, 9b, 10, 11, 13a, 14-20	121701	Catalyst Quick Release One Arm Drive Retrofit Kit, 0° Camber, 20" Spoke with Aluminum Drive Handrim, Plastic Coated Non Drive Handrim, 177-255mm Drive Shaft	1
1, 2b, 3a, 4, 5a - 5j, 6-8, 9a, 9b, 10, 11, 13b, 14-20	121702	Catalyst Quick Release One Arm Drive Retrofit Kit, 0° Camber, 20" Spoke with Aluminum Drive Handrim, Plastic Coated Non Drive Handrim, 225-295mm Drive Shaft	1
1, 2b, 3a, 4, 5a - 5j, 6-8, 9a, 9b, 10, 11, 13c, 14-20	121703	Catalyst Quick Release One Arm Drive Retrofit Kit, 0° Camber, 20" Spoke with Aluminum Drive Handrim, Plastic Coated Non Drive Handrim, 260-370mm Drive Shaft	1
1, 2b, 3a, 4, 5a - 5j, 6-8, 9a, 9b, 10, 11, 13d, 14-20	121704	Catalyst Quick Release One Arm Drive Retrofit Kit, 0° Camber, 20" Spoke with Aluminum Drive Handrim, Plastic Coated Non Drive Handrim, 330-440mm Drive Shaft	1
1, 2b, 3a, 4, 5a - 5j, 6-8, 9a, 9b, 10, 11, 13e, 14-20	121705	Catalyst Quick Release One Arm Drive Retrofit Kit, 0° Camber, 20" Spoke with Aluminum Drive Handrim, Plastic Coated Non Drive Handrim, 421-491mm Drive Shaft	1

Item Number	Part Number	Description	Quantity
1, 2b, 3a, 4, 5a - 5j, 6-8, 9a, 9b, 10, 11, 13f, 14-20	121706	Catalyst Quick Release One Arm Drive Retrofit Kit, 0° Camber, 20" Spoke with Aluminum Drive Handrim, Plastic Coated Non Drive Handrim, 484-595mm Drive Shaft	1
1, 2b, 3a, 4, 5a - 5j, 6-8, 9a, 9b, 10, 11, 12a, 14-20	121707	Catalyst Quick Release One Arm Drive Retrofit Kit, 2° Camber, 20" Spoke with Aluminum Drive Handrim, Plastic Coated Non Drive Handrim, 180-210mm Drive Shaft	1
1, 2b, 3a, 4, 5a - 5j, 6-8, 9a, 9b, 10, 11, 12b, 14-20	121708	Catalyst Quick Release One Arm Drive Retrofit Kit, 2° Camber, 20" Spoke with Aluminum Drive Handrim, Plastic Coated Non Drive Handrim, 195-235mm Drive Shaft	1
1, 2b, 3a, 4, 5a - 5j, 6-8, 9a, 9b, 10, 11, 12c, 14-20	121709	Catalyst Quick Release One Arm Drive Retrofit Kit, 2° Camber, 20" Spoke with Aluminum Drive Handrim, Plastic Coated Non Drive Handrim, 220-280mm Drive Shaft	1
1, 2b, 3a, 4, 5a - 5j, 6-8, 9a, 9b, 10, 11, 12d, 14-20	121710	Catalyst Quick Release One Arm Drive Retrofit Kit, 2° Camber, 20" Spoke with Aluminum Drive Handrim, Plastic Coated Non Drive Handrim, 270-330mm Drive Shaft	1
1, 2b, 3a, 4, 5a - 5j, 6-8, 9a, 9b, 10, 11, 12e, 14-20	121711	Catalyst Quick Release One Arm Drive Retrofit Kit, 2° Camber, 20" Spoke with Aluminum Drive Handrim, Plastic Coated Non Drive Handrim, 295-370mm Drive Shaft	1
1, 2b, 3a, 4, 5a - 5j, 6-8, 9a, 9b, 10, 11, 12f, 14-20	121712	Catalyst Quick Release One Arm Drive Retrofit Kit, 2° Camber, 20" Spoke with Aluminum Drive Handrim, Plastic Coated Non Drive Handrim, 350-460mm Drive Shaft	1
1, 2b, 3a, 4, 5a - 5j, 6-8, 9a, 9b, 10, 11, 12g, 14-20	121713	Catalyst Quick Release One Arm Drive Retrofit Kit, 2° Camber, 20" Spoke with Aluminum Drive Handrim, Plastic Coated Non Drive Handrim, 420-530mm Drive Shaft	1
1, 2a, 14b, 15, 19, 20a	119587	Quick Release One Arm Drive, 20" Spoke Wheel with Axle (Driven Side) and Close Mounted Aluminum Handrim	1
1, 2b, 14b, 15, 19, 20a	121853	Quick Release One Arm Drive, 20" Spoke Wheel with Axle (Driven Side) and Close Mounted Plastic Coated Handrim	1
1, 3a, 4, 17	112899	Quick Release One Arm Drive Drive, 20" Spoke Wheel with Axle and Aluminum Drive Handrim	1
14, 15, 16	502168	Handrim Hardware Kit, 6 Rivet Nut, EACH	1
2a, 14b, 15, 19	116447	Aluminum Anodized Handrim 6 Rivet Nut 20" with Close Mount Hardware, Non-Drive Side	1
2b, 14b, 15, 19	121850	Plastic Coated Handrim 6 Rivet Nut 20" with Close Mount Hardware, Non-Drive Side	1
3a	111830	Quick Release One Arm Drive, Aluminum Drive Side Handrim for 20" Wheel <i>Does not include attaching hardware</i>	1
3b	118246	Quick Release One Arm Drive, Aluminum Drive Side Handrim for 20" Wheel with Micro Grip <i>Does not include attaching hardware</i>	1
5a	100676	M6 x 55 CLS10.9 DIN931 HHCS ZC <i>Reference Hardware and Drive Shaft Chart for usage</i>	4
5b	100677	M6 x 60 CLS10.9 DIN931 HHCS ZC	2

Item Number	Part Number	Description	Quantity
		<i>Reference Hardware and Drive Shaft Chart for usage</i>	
5c	100679	M6 x 65 CLS 8.8 DIN931 HHCS ZC <i>Reference Hardware and Drive Shaft Chart for usage</i>	4
5d	101826	M6 x 50 HHCS Blk Zn <i>Reference Hardware and Drive Shaft Chart for usage</i>	2
5e	100680	M6 x 70 CLS 8.8 DIN931 HHCS ZC <i>Reference Hardware and Drive Shaft Chart for usage</i>	2
5f	102996	M6 x 85mm HHCS Blk Zn <i>Reference Hardware and Drive Shaft Chart for usage</i>	2
5g	100660	M6 x 80mm CLS8.8 DIN931 HHCS ZC <i>Reference Hardware and Drive Shaft Chart for usage</i>	2
5h	100544	M6 x 75 CLS 8.8 DIN931 HHCS ZC <i>Reference Hardware and Drive Shaft Chart for usage</i>	2
5i	100704	M6 x 90 CLS8.8 DIN931 HHCS ZC <i>Reference Hardware and Drive Shaft Chart for usage</i>	2
5j	100674	M6 x 45 CLS10.9 DIN931 HHCS ZC <i>Reference Hardware and Drive Shaft Chart for usage</i>	2
6	003207	One Arm Drive Catalyst Axle Plate	1
7	100763	Washer #12 Thin	4
8	003172	One Arm Drive Cat Axle Plate Spacer <i>Reference Hardware and Drive Shaft Chart for usage</i>	4
9a	000056	Saddle 1 1/8" <i>Used with Curved Rear Frames</i>	4
9b	000055	Saddle 1" <i>Used with Depth Adjustable / Spark Rear Frames</i>	4
10	100746	M6 Flat Washer Blk Zn	4
11	100658	M6 Nylock Nut Blk Zn	4
12a	111627	One Arm Drive - Quick Release Camber Drive Shaft 180-210mm <i>Used when 2° camber is present. Reference Hardware and Drive Shaft Chart for usage</i>	1
12b	111628	One Arm Drive - Quick Release Camber Drive Shaft 195-235mm <i>Used when 2° camber is present. Reference Hardware and Drive Shaft Chart for usage</i>	1
12c	111498	One Arm Drive - Quick Release Camber Drive Shaft 220-280mm <i>Used when 2° camber is present. Reference Hardware and Drive Shaft Chart for usage</i>	1

Item Number	Part Number	Description	Quantity
12d	111499	One Arm Drive - Quick Release Camber Drive Shaft 270-330mm <i>Used when 2° camber is present. Reference Hardware and Drive Shaft Chart for usage</i>	1
12e	111500	One Arm Drive - Quick Release Camber Drive Shaft 295-370mm <i>Used when 2° camber is present. Reference Hardware and Drive Shaft Chart for usage</i>	1
12f	111501	One Arm Drive - Quick Release Camber Drive Shaft 350-460mm <i>Used when 2° camber is present. Reference Hardware and Drive Shaft Chart for usage</i>	1
12g	111502	One Arm Drive - Quick Release Camber Drive Shaft 420-530mm <i>Used when 2° camber is present. Reference Hardware and Drive Shaft Chart for usage</i>	1
13a	111503	One Arm Drive - Quick Release Zero Camber Drive Shaft 177-255mm <i>Used when 0° camber is present. Reference Hardware and Drive Shaft Chart for usage</i>	1
13b	111504	One Arm Drive - Quick Release Zero Camber Drive Shaft 225-295mm <i>Used when 0° camber is present. Reference Hardware and Drive Shaft Chart for usage</i>	1
13c	111505	One Arm Drive - Quick Release Zero Camber Drive Shaft 260-370mm <i>Used when 0° camber is present. Reference Hardware and Drive Shaft Chart for usage</i>	1
13d	111506	One Arm Drive - Quick Release Zero Camber Drive Shaft 330-440mm <i>Used when 0° camber is present. Reference Hardware and Drive Shaft Chart for usage</i>	1
13e	111507	One Arm Drive - Quick Release Zero Camber Drive Shaft 421-491mm <i>Used when 0° camber is present. Reference Hardware and Drive Shaft Chart for usage</i>	1
13f	111860	One Arm Drive - Quick Release Zero Camber/Camber Drive Shaft 485-595mm <i>Used when 0° camber is present. Reference Hardware and Drive Shaft Chart for usage</i>	1
14	100653	Handrim Spacer Spoke	6
15	100698	Handrim Tab	6
16	122063	PHMS, M5x0.8x40, CLS4.8, PHL, BLZ, NYL, DIN7985, Custom	6
17	103522	M5 x 0.8 x 12 FHCS CLS 10.9 Nyl Blk Zn DIN7991	3
18	111513	Replacement Spoke, Quick Release One Arm Drive, 20"	1
19	122065	BHCS, M5x0.8x25, CLS12.9, BLZ, NYL, ISO7380, Custom	1

DRIVE SHAFT LENGTH BY CONFIGURATION				
CATALYST SEAT WIDTH	ARMRESTS	CAMBER	PART NUMBER	DESCRIPTION
11"	NO ARMS, FLIP-UP & SWING AWAY	0°	111503	QUICK RELEASE OAD ZERO CAMBER DRIVE SHAFT 177-255mm
11"	FLIP BACK & HA T-ARMS (SADDLES + SPACERS REQUIRED)	0°	111503	QUICK RELEASE OAD ZERO CAMBER DRIVE SHAFT 177-255mm
11"	NO ARMS, FLIP-UP & SWING AWAY	2°	111627	QUICK RELEASE OAD CAMBER DRIVE SHAFT 180-210mm
11"	FLIP BACK & HA T-ARMS (SADDLES + SPACERS REQUIRED)	2°	111628	QUICK RELEASE OAD CAMBER DRIVE SHAFT 195-235mm
12"	NO ARMS, FLIP-UP & SWING AWAY	0°	111503	QUICK RELEASE OAD ZERO CAMBER DRIVE SHAFT 177-255mm
12"	FLIP BACK & HA T-ARMS (SADDLES + SPACERS REQUIRED)	0°	111503	QUICK RELEASE OAD ZERO CAMBER DRIVE SHAFT 177-255mm
12"	NO ARMS, FLIP-UP & SWING AWAY	2°	111628	QUICK RELEASE OAD CAMBER DRIVE SHAFT 195-235mm
12"	FLIP BACK & HA T-ARMS (SADDLES + SPACERS REQUIRED)	2°	111498	QUICK RELEASE OAD CAMBER DRIVE SHAFT 220-280mm
13"	NO ARMS, FLIP-UP & SWING AWAY	0°	111504	QUICK RELEASE OAD ZERO CAMBER DRIVE SHAFT 225-295mm
13"	FLIP BACK & HA T-ARMS (SADDLES + SPACERS REQUIRED)	0°	111504	QUICK RELEASE OAD ZERO CAMBER DRIVE SHAFT 225-295mm
13"	NO ARMS, FLIP-UP & SWING AWAY	2°	111498	QUICK RELEASE OAD CAMBER DRIVE SHAFT 220-280mm
13"	FLIP BACK & HA T-ARMS (SADDLES + SPACERS REQUIRED)	2°	111498	QUICK RELEASE OAD CAMBER DRIVE SHAFT 220-280mm
14"	NO ARMS, FLIP-UP & SWING AWAY	0°	111504	QUICK RELEASE OAD ZERO CAMBER DRIVE SHAFT 225-295mm
14"	FLIP BACK & HA T-ARMS (SADDLES + SPACERS REQUIRED)	0°	111504	QUICK RELEASE OAD ZERO CAMBER DRIVE SHAFT 225-295mm
14"	NO ARMS, FLIP-UP & SWING AWAY	2°	#111499	QUICK RELEASE OAD CAMBER DRIVE SHAFT 270-330mm
14"	FLIP BACK & HA T-ARMS (SADDLES + SPACERS REQUIRED)	2°	111499	QUICK RELEASE OAD CAMBER DRIVE SHAFT 270-330mm
15"	NO ARMS, FLIP-UP & SWING AWAY	0°	111505	QUICK RELEASE OAD ZERO CAMBER DRIVE SHAFT 260-370mm
15"	FLIP BACK & HA T-ARMS (SADDLES + SPACERS REQUIRED)	0°	111505	QUICK RELEASE OAD ZERO CAMBER DRIVE SHAFT 260-370mm
15"	NO ARMS, FLIP-UP & SWING AWAY	2°	111499	QUICK RELEASE OAD CAMBER DRIVE SHAFT 270-330mm
15"	FLIP BACK & HA T-ARMS (SADDLES + SPACERS REQUIRED)	2°	111499	QUICK RELEASE OAD CAMBER DRIVE SHAFT 270-330mm
16"	NO ARMS, FLIP-UP & SWING AWAY	0°	111505	QUICK RELEASE OAD ZERO CAMBER DRIVE SHAFT 260-370mm
16"	FLIP BACK & HA T-ARMS (SADDLES + SPACERS REQUIRED)	0°	111505	QUICK RELEASE OAD ZERO CAMBER DRIVE SHAFT 260-370mm
16"	NO ARMS, FLIP-UP & SWING AWAY	2°	111500	QUICK RELEASE OAD CAMBER DRIVE SHAFT 295-370mm
16"	FLIP BACK & HA T-ARMS (SADDLES + SPACERS REQUIRED)	2°	111500	QUICK RELEASE OAD CAMBER DRIVE SHAFT 295-370mm

#FOR THIS CONFIGURATION, ONE WHEEL MUST BE REMOVED BEFORE THE DRIVE SHAFT CAN BE INSTALLED. THE SECOND WHEEL CAN BE INSTALLED ONCE THE DRIVE SHAFT IS IN POSITION.

DRIVE SHAFT LENGTH BY CONFIGURATION				
CATALYST SEAT WIDTH	ARMRESTS	CAMBER	PART NUMBER	DESCRIPTION
17"	NO ARMS, FLIP-UP & SWING AWAY	0°	111506	QUICK RELEASE OAD ZERO CAMBER DRIVE SHAFT 330-440mm
17"	FLIP BACK & HA T-ARMS (SADDLES + SPACERS REQUIRED)	0°	111505	QUICK RELEASE OAD ZERO CAMBER DRIVE SHAFT 260-370mm
17"	NO ARMS, FLIP-UP & SWING AWAY	2°	111500	QUICK RELEASE OAD CAMBER DRIVE SHAFT 295-370mm
17"	FLIP BACK & HA T-ARMS (SADDLES + SPACERS REQUIRED)	2°	111501	QUICK RELEASE OAD CAMBER DRIVE SHAFT 350-460mm
18"	NO ARMS, FLIP-UP & SWING AWAY	0°	111506	QUICK RELEASE OAD ZERO CAMBER DRIVE SHAFT 330-440mm
18"	FLIP BACK & HA T-ARMS (SADDLES + SPACERS REQUIRED)	0°	111506	QUICK RELEASE OAD ZERO CAMBER DRIVE SHAFT 330-440mm
18"	NO ARMS, FLIP-UP & SWING AWAY	2°	111501	QUICK RELEASE OAD CAMBER DRIVE SHAFT 350-460mm
18"	FLIP BACK & HA T-ARMS (SADDLES + SPACERS REQUIRED)	2°	111501	QUICK RELEASE OAD CAMBER DRIVE SHAFT 350-460mm
19"	NO ARMS, FLIP-UP & SWING AWAY	0°	111506	QUICK RELEASE OAD ZERO CAMBER DRIVE SHAFT 330-440mm
19"	FLIP BACK & HA T-ARMS (SADDLES + SPACERS REQUIRED)	0°	111506	QUICK RELEASE OAD ZERO CAMBER DRIVE SHAFT 330-440mm
19"	NO ARMS, FLIP-UP & SWING AWAY	2°	111501	QUICK RELEASE OAD CAMBER DRIVE SHAFT 350-460mm
19"	FLIP BACK & HA T-ARMS (SADDLES + SPACERS REQUIRED)	2°	111501	QUICK RELEASE OAD CAMBER DRIVE SHAFT 350-460mm
20"	NO ARMS, FLIP-UP & SWING AWAY	0°	111506	QUICK RELEASE OAD ZERO CAMBER DRIVE SHAFT 330-440mm
20"	FLIP BACK & HA T-ARMS (SADDLES + SPACERS REQUIRED)	0°	111507	QUICK RELEASE OAD ZERO CAMBER DRIVE SHAFT 421-491mm
20"	NO ARMS, FLIP-UP & SWING AWAY	2°	111501	QUICK RELEASE OAD CAMBER DRIVE SHAFT 350-460mm
20"	FLIP BACK & HA T-ARMS (SADDLES + SPACERS REQUIRED)	2°	111501	QUICK RELEASE OAD CAMBER DRIVE SHAFT 350-460mm
21"	NO ARMS, FLIP-UP & SWING AWAY	0°	111507	QUICK RELEASE OAD ZERO CAMBER DRIVE SHAFT 421-491mm
21"	FLIP BACK & HA T-ARMS (SADDLES + SPACERS REQUIRED)	0°	111507	QUICK RELEASE OAD ZERO CAMBER DRIVE SHAFT 421-491mm
21"	NO ARMS, FLIP-UP & SWING AWAY	2°	111502	QUICK RELEASE OAD CAMBER DRIVE SHAFT 420-530mm
21"	FLIP BACK & HA T-ARMS (SADDLES + SPACERS REQUIRED)	2°	111502	QUICK RELEASE OAD CAMBER DRIVE SHAFT 420-530mm
22"	NO ARMS, FLIP-UP & SWING AWAY	0°	111507	QUICK RELEASE OAD ZERO CAMBER DRIVE SHAFT 421-491mm
22"	FLIP BACK & HA T-ARMS (SADDLES + SPACERS REQUIRED)	0°	#111860	QUICK RELEASE OAD CAMBER DRIVE SHAFT 485-595mm
22"	NO ARMS, FLIP-UP & SWING AWAY	2°	111502	QUICK RELEASE OAD CAMBER DRIVE SHAFT 420-530mm
22"	FLIP BACK & HA T-ARMS (SADDLES + SPACERS REQUIRED)	2°	111502	QUICK RELEASE OAD CAMBER DRIVE SHAFT 420-530mm

#FOR THIS CONFIGURATION, ONE WHEEL MUST BE REMOVED BEFORE THE DRIVE SHAFT CAN BE INSTALLED. THE SECOND WHEEL CAN BE INSTALLED ONCE THE DRIVE SHAFT IS IN POSITION.

## HARDWARE GUIDE

	CURVED REAR FRAME														
	NO ARMS						FLIP BACK AND T-ARMS				SWING AWAY ARMS				
	0° CAMBER			2° CAMBER			0° OR 2° CAMBER				0° CAMBER		2° CAMBER		
<b>NO OPTIONS</b>	101827	M6 X 55 HHCS BLACK ZN	4	100679	M6 X 65 HHCS ZN	4	100679	M6 X 65 HHCS ZN	4	100676	M6 X 55 HHCS ZN	2	100679	M6 X 65 HHCS ZN	2
	100746	M6 FLAT WASHER BLK ZN	4	100746	M6 FLAT WASHER BLK ZN	4	000056	SADDLE	4	100679	M6 X 65 HHCS ZN	2	100544	M6 X 75 HHCS ZN	2
				000056	SADDLE	4	003172	SPACER	4	101826	M6 X 50 HHCS BLACK ZN	1	101826	M6 X 50 HHCS BLACK ZN	1
													000056	SADDLE	4
													003172	SPACER	4
<b>ANTI-TIPS</b>	101827	M6 X 55 HHCS BLACK ZN	2	100679	M6 X 65 HHCS ZN	2	100680	M6 X 70 HHCS ZN	2	101826	M6 X 50 HHCS BLACK ZN	2	100677	M6 X 60 HHCS ZN	2
	100677	M6 X 60 HHCS ZN	2	100680	M6 X 70 HHCS ZN	2	100679	M6 X 65 HHCS ZN	2	100677	M6 X 60 HHCS ZN	1	102996	M6 X 85 HHCS BLACK ZN	2
				000056	SADDLE	4	000056	SADDLE	4	100679	M6 X 65 HHCS ZN	1	101826	M6 X 50 HHCS BLACK ZN	1
				003172	SPACER	4	003172	SPACER	4	100676	M6 X 55 HHCS ZN	1	000056	SADDLE	4
													003172	SPACER	4
<b>TRANSIT</b>	101827	M6 X 55 HHCS BLACK ZN	2	100679	M6 X 65 HHCS ZN	2	102996	M6 X 85 HHCS BLACK ZN	2	101826	M6 X 50 HHCS BLACK ZN	2	100677	M6 X 60 HHCS ZN	2
	100679	M6 X 65 HHCS ZN	2	100544	M6 X 75 HHCS ZN	2	100679	M6 X 65 HHCS ZN	2	100679	M6 X 65 HHCS ZN	2	100660	M6 X 80 HHCS ZN	2
	101826	M6 X 50 HHCS BLACK ZN	1	101826	M6 X 50 HHCS BLACK ZN	1	101827	M6 X 55 HHCS BLACK ZN	1	100676	M6 X 55 HHCS ZN	1	100676	M6 X 55 HHCS ZN	1
				000056	SADDLE	4	000056	SADDLE	4				000056	SADDLE	4
				003172	SPACER	4	003172	SPACER	4				003172	SPACER	4
<b>ANTI-TIPS &amp; TRANSIT</b>	101826	M6 X 50 HHCS BLACK ZN	2	100677	M6 X 60 HHCS ZN	2	100660	M6 X 80 HHCS ZN	2	100676	M6 X 55 HHCS ZN	2	100704	M6 X 90 HHCS ZN	2
	100679	M6 X 65 HHCS ZN	2	102996	M6 X 85 HHCS BLACK ZN	2	100679	C6 X 65 HHCS ZN	2	100679	M6 X 65 HHCS ZN	2	100676	M6 X 55 HHCS ZN	1
				101826	M6 X 50 HHCS BLACK ZN	1	101827	M6 X 55 HHCS BLACK ZN	1				100677	M6 X 60 HHCS ZN	2
				000056	SADDLE	4	000056	SADDLE	4				000056	SADDLE	4
				003172	SPACER	4	003172	SPACER	4				003172	SPACER	4



## HARDWARE GUIDE

	DEPTH ADJUSTABLE/SPARK REAR FRAME									
	ANGLE ADJ. LOCKING FLIP UP, TUBULAR FLIP UP, PEDIATRIC T-ARM OR NO ARMS						FLIP BACK AND T-ARMS			
	0° CAMBER			2° CAMBER			0° OR 2° CAMBER			
<b>NO OPTIONS</b>	101826	M6 X 50 HHCS BLACK ZN	4	100677	M6 X 60 HHCS ZN	4		100677	M6 X 60 HHCS ZN	4
	100746	M6 FLAT WASHER BLK ZN	4	100746	M6 FLAT WASHER BLK ZN	4		100746	M6 FLAT WASHER BLK ZN	4
				000055	SADDLE	4		000055	SADDLE	4
								003172	SPACER	4
<b>ANTI-TIPS</b>	101826	M6 X 50 HHCS BLACK ZN	2	100677	M6 X 60 HHCS ZN	2		100679	M6 X 65 HHCS ZN	2
	100676	M6 X 55 HHCS ZN	2	100679	M6 X 65 HHCS ZN	2		100677	M6 X 60 HHCS ZN	2
				000055	SADDLE	4		000055	SADDLE	4
				003172	SPACER	4		003172	SPACER	4
<b>TRANSIT</b>	101826	M6 X 50 HHCS BLACK ZN	2	100677	M6 X 60 HHCS ZN	2		100660	M6 X 80 HHCS ZN	2
	100677	M6 X 60 HHCS ZN	2	100680	M6 X 70 HHCS ZN	2		100677	M6 X 60 HHCS ZN	2
	100674	M6 X 45 HHCS ZN	1	100674	M6 X 45 HHCS ZN	1		101826	M6 X 50 HHCS BLACK ZN	1
				000055	SADDLE	4		000055	SADDLE	4
				003172	SPACER	4		003172	SPACER	4
<b>ANTI-TIPS &amp; TRANSIT</b>	100674	M6 X 45 HHCS ZN	2	100676	M6 X 55 HHCS ZN	2		100544	M6 X 75 HHCS ZN	2
	100677	M6 X 60 HHCS ZN	2	100660	M6 X 80 HHCS ZN	2		100677	M6 X 60 HHCS ZN	2
				100674	M6 X 45 HHCS ZN	1		101826	M6 X 50 HHCS BLACK ZN	1
				000055	SADDLE	4		000055	SADDLE	4
				003172	SPACER	4		003172	SPACER	4