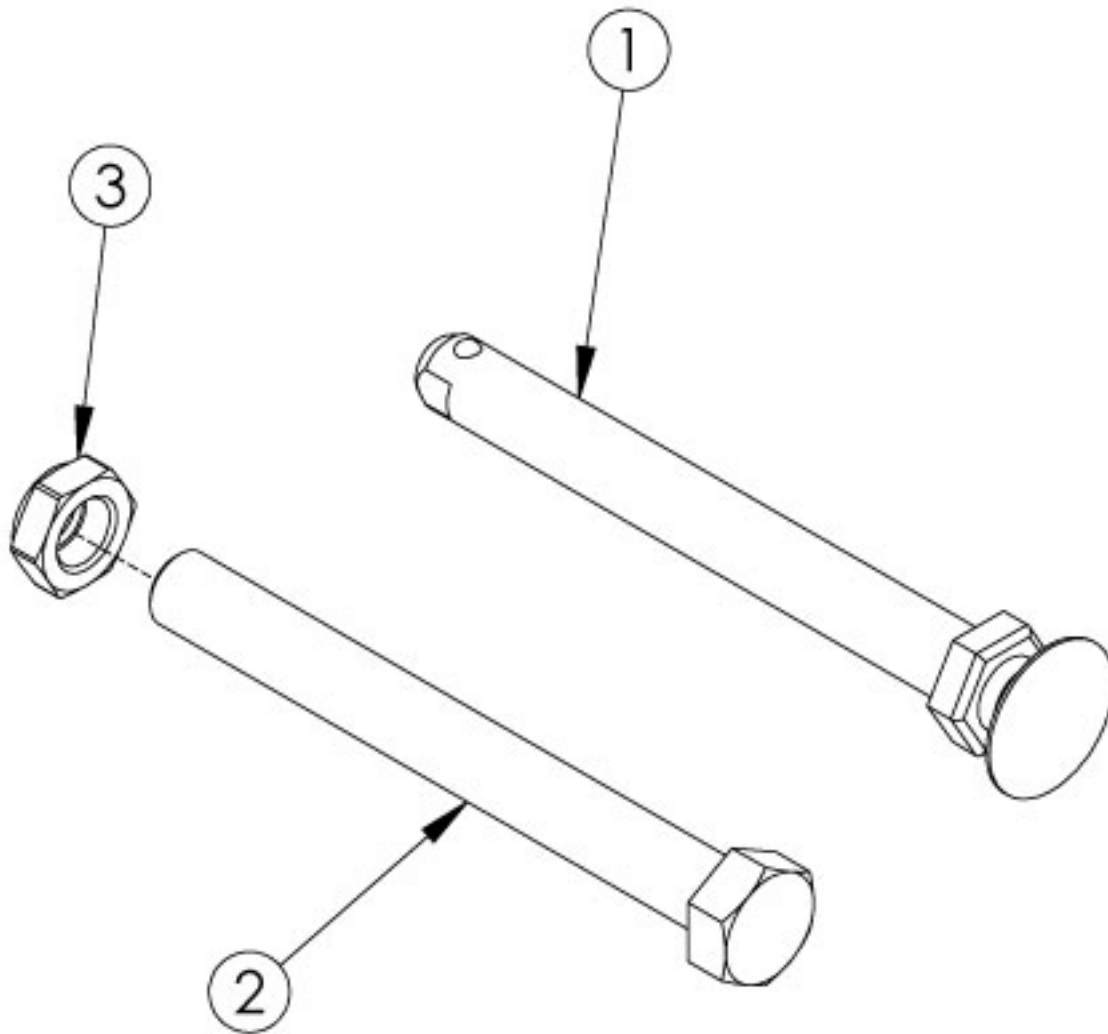


# Liberty Axles



See axle utilization charts to determine appropriate axle.

Item Number	Part Number	Description	Quantity
1a	103039	Axle Quick Release w/ Button 73mm	1
1b	103119	Axle Quick Release w/ Button 82mm <i>If ordering in combination with discontinued Ki Spoke or recent (2/27/2023) Spoke wheels, axle spacers are needed (Kit number 506326). Prior to 2/19/2021, this spacer kit was also used with MAXX Performance Spoke wheels.</i>	1
2a	103035	Fixed Axle 1/2-20 x 3.25 HHCS, G8, Blk Zn	1
2b	103036	Fixed Axle 1/2-20 x 3.75 HHCS, G8, BLK Zn	1
3	101459	1/2-20 NTE JAM NYL INS L/N BLK ZC	1

# Liberty Axle Reference

<b>Quick Release Axles</b>		
<b>Wheel</b>	<b>Receiver</b>	
	<b>003300</b>	<b>115908</b>
12" and 16" Mag / MAXX Mag / MAXX Performance Spoke	103039	103039
X Core Mag / Spoke	103119	103119

<b>Drum Brake Quick Release Axle</b>	
MAXX Spoke	103119

<b>Fixed Axles</b>	
12" and 16" Mag / MAXX Mag / MAXX Performance Spoke / Spoke	103035
X Core Mag	103036

<b>Axle Part Numbers</b>	
<b>Push Button Style</b>	<b>Threaded (Fixed)</b>
103039 (1/2" x 73mm)	102612 (1/2" x 5")
103119 (1/2" x 82mm)	102086 (1/2" x 5-1/2")

## **Liberty Axles and Receivers**

To find the appropriate axle, first establish the axle receiver according to the RECEIVERS section and then determine the axle using the AXLES section.

### **RECEIVERS**

Receiver: 003300 (Discontinued 2/27/2023)

Description: Axle Sleeve, M20 x 1.5

Used With: All wheels

Receiver: 115908

Description: Axle Receiver, Ext. Threads, M20 x 1.5, Liberty

Used With: All wheels

### **AXLES**

003300/115908 Receiver

Quick Release Axles:

Use 103039 with 12" and 16" Mag, MAXX Mag, and MAXX Performance Spoke wheels

Use 103119 with X Core Mag wheels and Spoke wheel

Fixed Axles:

Use 103035 with 12" and 16" Mag, MAXX Mag, MAXX Performance Spoke, and Spoke wheel

Use 103036 with X Core Mag wheels

### **Drum Brake**

See designated Drum Brake parts manual pages for Drum Brake Rotor / Axle Sleeve information.

Quick Release Axles:

Use 103119

# Quick Release Axle Measuring Guide

**To identify which axle you have:** Set your axle on the printed copy of this page (do not scale when printing) or take the measurement as shown and locate which overall dimension matches that of the axle you have.

**Note:** The overall length is not the same as the "useable length" which is the length used in the part description. Images of all axles are shown below.

