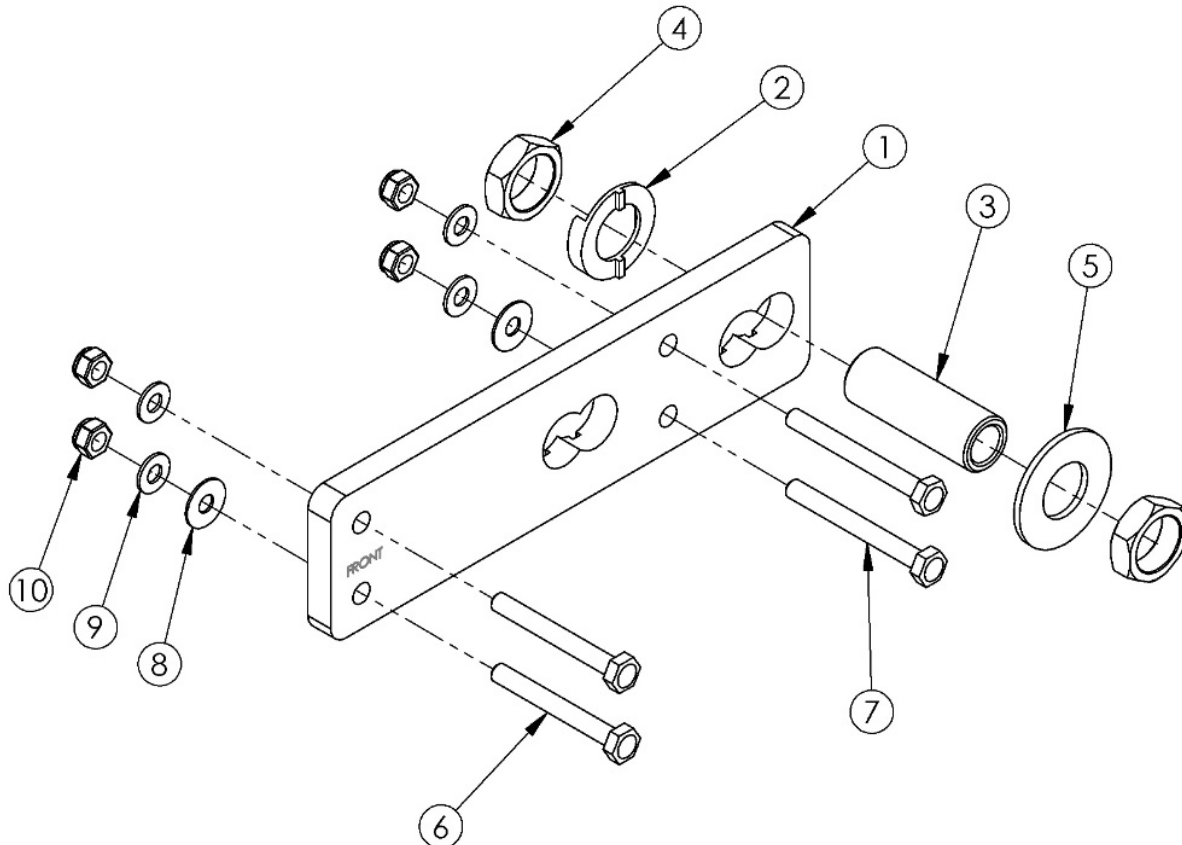


Catalyst 5 Amputee Axle Plate



Number of washers (Item 8) per bottom screw	Degrees of Camber
2 (4 total)	2°
3 (6 total)	4°

Item Number	Part Number	Description	Quantity	Retail
1 - 5	500503	Amputee Axle Plate Assm 1/2"	1	\$142.69
2 - 5	500504	Axle Receiver Assembly 1/2"	1	\$30.52
1	000145	Amputee Axle Plate	1	\$112.20
2	004444	Axle Plate Index Washer <i>Replaced 000051 and 004678</i>	1	\$8.22
3	100756	Axle Receiver 1/2"	1	\$17.68

Item Number	Part Number	Description	Quantity	Retail
4	100514	Axle Receiver Nut M18 x D12 x 8mm	2	\$1.54
5	004445	Axle Plate Flat Washer <i>Replaced 000465</i>	1	\$1.86
6	101826	M6 x 50 HHCS Blk Zn	2	\$2.10
7a	101826	M6 x 50 HHCS Blk Zn <i>Used when attaching axle plate only</i>	2	\$2.10
7b	100677	M6 x 60 CLS10.9 DIN931 HHCS ZC <i>Used when attaching axle plate and anti-tip receiver or transit bracket</i>	2	\$1.58
7c	100679	M6 x 65 CLS 8.8 DIN931 HHCS ZC <i>Used when attaching axle plate, anti-tip receiver and transit bracket</i>	2	\$1.58
8	100763	Washer #12 Thin <i>Use 4 Washers with 2° of Camber or use 8 Washers with 4° of Camber</i>	8	\$1.54
9	100746	M6 Flat Washer Blk Zn	4	\$1.58
10	100658	M6 Nylock Nut Blk Zn	4	\$1.05