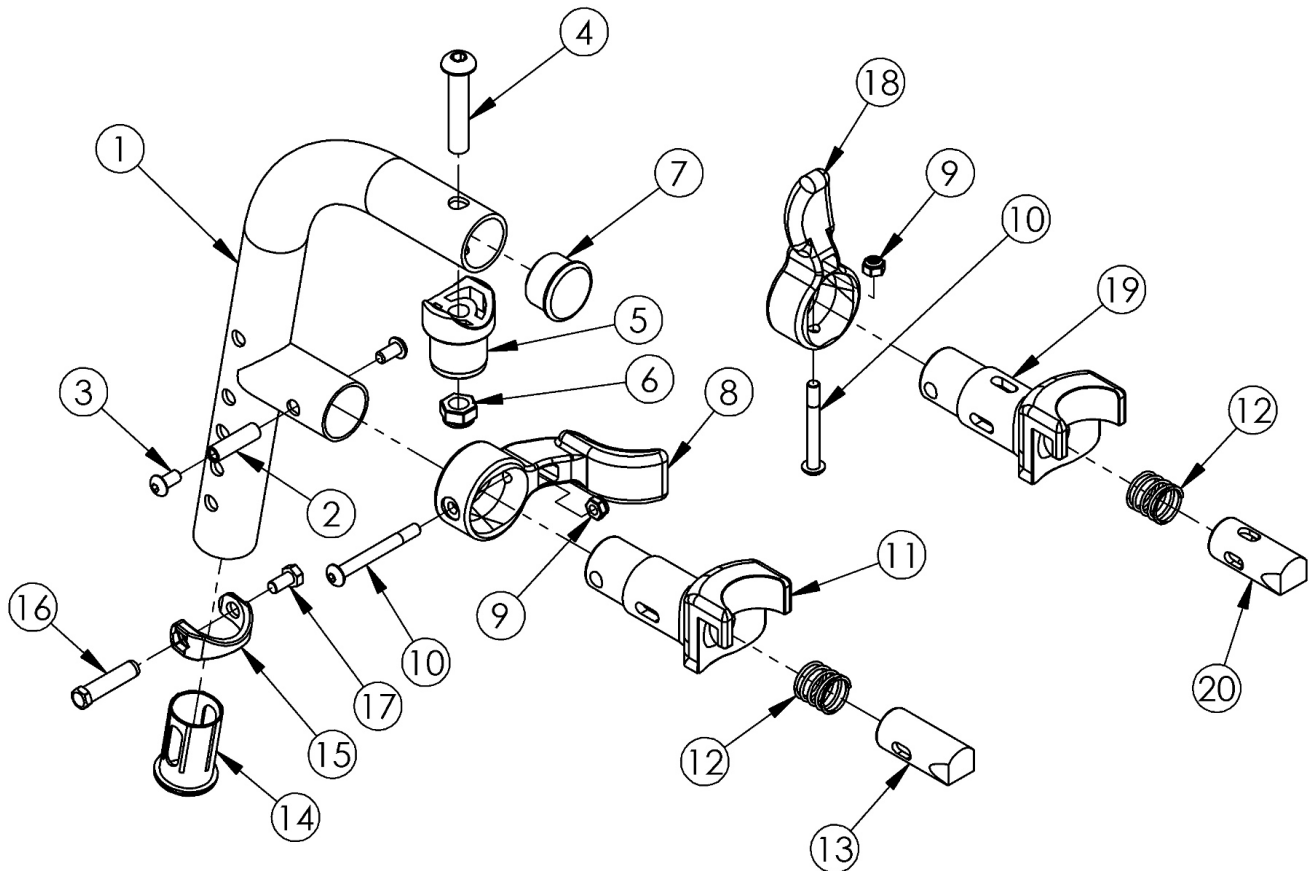


80 Degree Extension Mount Hanger



If chair was built with a fixed front frame or hangers were omitted, then latch blocks need to be ordered with hangers. Please reference the "Front Frame" parts manual page for Catalyst chairs and the "Seat Frame" parts manual page for Focus and Flip chairs. If changing degree of hanger, new extension tubes may be needed. If switching from a contracture footrest to a standard hanger, front seat tubes and latch blocks with hardware will be needed.

Item Number	Part Number	Description	Quantity
1 - 17	100386_ _ _ _	Hanger Assm 80 Extension Mount Classic Latch Left _ _ _ _	1
1 - 17	100385_ _ _ _	Hanger Assm 80 Extension Mount Classic Latch Right _ _ _ _	1
1-7, 9, 10, 12, 14-20	504637_ _ _ _	Hanger Assm 80 Extension Mount 4-Way - In-Line	1
1-7, 9, 10, 12, 14-20	504659_ _ _ _	Hanger Assm 80 Extension Mount 4-Way - Out Left	1
1-7, 9, 10, 12, 14-20	504660_ _ _ _	Hanger Assm 80 Extension Mount 4-Way - Out Right	1
1, 7, 14	_ _ _ 338	Hanger Tube Assm 80 Extension Mount _ _ _ _	1
8 - 13	003417	Classic Hanger Latch Assembly, Left	1

Item Number	Part Number	Description	Quantity
8 - 13	003416	Classic Hanger Latch Assembly, Right	1
9, 10, 12, 18-20	003225	Assembled 4-Way In Line Hanger Release	1
9, 10, 12, 18-20	003225INST	Assembled 4-Way In Line Hanger Release with Instruction	1
9, 10, 12, 18-20	003643	Assembled 4-Way Out Hanger Release, Left	1
9, 10, 12, 18-20	003643INST	Assembled 4-Way Out Hanger Release, Left with Instruction	1
9, 10, 12, 18-20	003642	Assembled 4-Way Out Hanger Release, Right	1
9, 10, 12, 18-20	003642INST	Assembled 4-Way Out Hanger Release, Right with Instruction	1
2	000073	M5 x 24 Threaded Barrel	1
3	100669	M5 x 10 BTN SHCS BLKZC w/Patch	2
4	100673	M8 x 45 BTN SHCS BLKZC	1
5	000032	Footrest Hanger Pivot Saddle	1
6	100659	M8 Nylock Nut Blk Zn	1
7	100804	Tube End Plug 1"	1
8	001158	Lever Swing Away Short	1
9	100657	M5 Nylock Nut Blk Zn	1
10	001374	M5 x 40 BHCS P/THD BLKZC	1
12	000119	Hanger Spring	1
14	000034	Sleeve 3/4" x 1 1/2"	1
15	000988	Fastener Retainer	1
16	000987	Threaded Fastener	1
17	200427	M5 x 10 CLS8.8 HHCS ZC w/Patch DIN933	1
18	003228	Hanger Latch, 4-Way, Lever	1
18	003228INST	Hanger Latch, 4-Way, Lever with Instruction	1
19	003226	Hanger Latch, 4-Way, Bracket	1
19	003226INST	Hanger Latch, 4-Way, Bracket with Instruction	1
20	003227	Hanger Latch, 4-Way, Pin	1
20	003227INST	Hanger Latch, 4-Way, Pin with Instruction	1

Matte Finish	
Code	Color Name
CGM	Charcoal Gray
EGM	Emerald Green
GGM	Graphite Gray*
IBM	Iridescent Burgundy
INM	Iridescent Navy
AGM	Military Green**
RRM	Retro Red
RBM	Royal Blue
SBM	Shadow Black
SWM	Smooth White

* Discontinued Color

** Formerly called Army Green

Gloss Finish	
Code	Color Name
BLK	Black
BLU	Blue
SKY	Blue Skies
BRO	Bright Orange*
PNK	Bubblegum Pink
BUR	Burgundy*
CBL	Candy Blue
PUR	Candy Purple
RED	Candy Red
COP	Copper
DPR	Deep Purple*
EBL	Electric Blue*
GRN	Forest Green*
FUS	Fuchsia*
GSM	Granny Smith
MTF	Metallic Fuchsia*
MOR	Metallic Orange
ORG	Orange*
SAP	Sapphire*
SIL	Silver
TEA	Teal
YLW	Yellow
FLM	Graphic Image Transfer