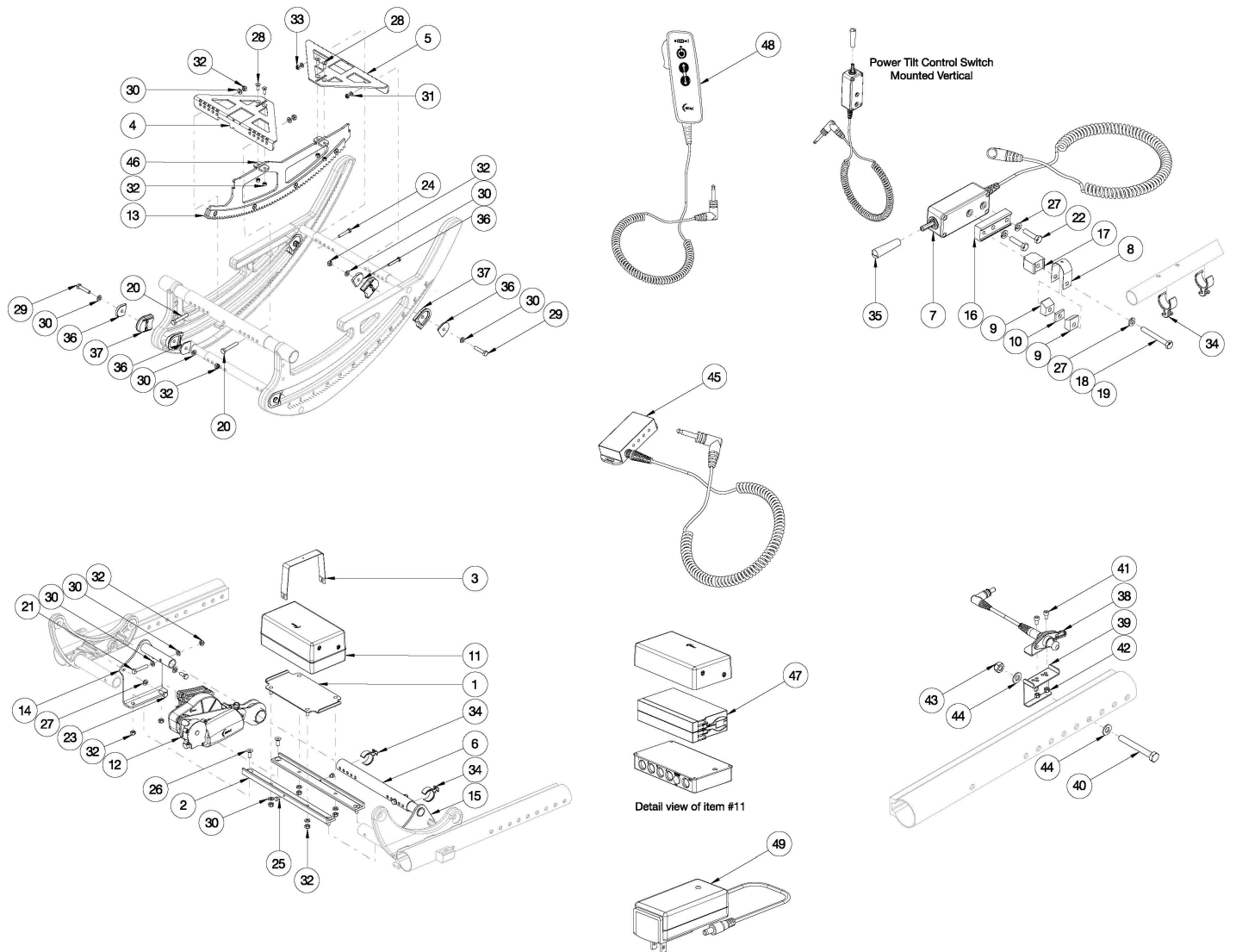


# Focus CR Power Tilt



*This design effective starting with serial numbers FCR0020156 and FCHD002253. This part can not be retrofitted. Not available with Heavy Duty Option*

Item Number	Part Number	Description	Quantity
1, 2a, 3, 25, 26, 30, 32	503399	Battery Tray Kit, Power Tilt, 14W, Focus	1
1, 2b, 3, 25, 26, 30, 32	503400	Battery Tray Kit, Power Tilt, 15W, Focus	1
1, 2c, 3, 25, 26, 30, 32	503401	Battery Tray Kit, Power Tilt, 16W, Focus	1
1, 2d, 3, 25, 26, 30, 32	503402	Battery Tray Kit, Power Tilt, 17W, Focus	1
1, 2e, 3, 25, 26, 30, 32	503403	Battery Tray Kit, Power Tilt, 18W, Focus	1
1, 2f, 3, 25, 26, 30, 32	503404	Battery Tray Kit, Power Tilt, 19W, Focus	1

Item Number	Part Number	Description	Quantity
1, 2g, 3, 25, 26, 30, 32	503405	Battery Tray Kit, Power Tilt, 20W, Focus	1
1, 2h, 3, 25, 26, 30, 32	503406	Battery Tray Kit, Power Tilt, 21W, Focus	1
1, 2i, 3, 25, 26, 30, 32	503407	Battery Tray Kit, Power Tilt, 22W, Focus	1
7-10, 16-19, 22, 27, 34a, 34b, 35	504999	Controller Kit, Toggle, Power Tilt, Focus	1
4a, 5, 11-13, 28-30, 32, 34a, 36-44, 46	505000	Power Tilt Module Kit, Small, Focus  <i>This kit is to change from rev 1 Power Tilt to rev 2. Based on width range.</i>	1
4b, 11-13, 28-30, 32, 34a, 36-44, 46	505001	Power Tilt Module Kit, Medium, Focus  <i>This kit is to change from rev 1 Power Tilt to rev 2. Based on width range.</i>	1
4c, 11-13, 28-30, 32, 34a, 36-44, 46	505002	Power Tilt Module Kit, Large, Focus  <i>This kit is to change from rev 1 Power Tilt to rev 2. Based on width range.</i>	1
29, 30, 32, 36, 37	501072	Tilt Stop PAIR Assembly Focus	2
8a, 9, 10, 16-18, 22, 27, 34a	111870	Power Tilt Toggle Switch Mounting Hardware for Angle Adjustable Locking Armrests, 1"	1
8b, 9, 16, 17, 19, 22, 27, 34b	111873	Power Tilt Toggle Switch Mounting Hardware for Height Adjustable Armrests, 7/8"	1
1	002819	Power Tilt Tray RCB Focus	2
2a	002820	Power Tilt Bracket RCB 14W Focus	2
2b	002821	Power Tilt Bracket RCB 15W Focus	2
2c	002822	Power Tilt Bracket RCB 16W Focus	2
2d	002823	Power Tilt Bracket RCB 17W Focus	2
2e	002824	Power Tilt Bracket RCB 18W Focus	2
2f	002825	Power Tilt Bracket RCB 19W Focus	2
2g	002826	Power Tilt Bracket RCB 20W Focus	2
2h	002827	Power Tilt Bracket RCB 21W Focus	2
2i	002828	Power Tilt Bracket RCB 22W Focus	2
3	002829	Power Tilt Strap RCB Focus	1
4a	003660	Power Tilt Rack Assembly Mount Bracket Small Front	1
4b	003662	Power Tilt Rack Assembly Mount Bracket Medium	2

Item Number	Part Number	Description	Quantity
4c	003663	Power Tilt Rack Assembly Mount Bracket Large	2
5	003661	Power Tilt Rack Assembly Mount Bracket Small Rear	1
6a	002895	Power Tilt Strut Tube Small Focus	1
6b	002896	Power Tilt Strut Tube Medium Focus	1
6c	002897	Power Tilt Strut Tube Large Focus	1
7, 35	002900	Power Tilt Control Switch Focus	1
8a	002901	Power Tilt Band Clamp Strap 1" <i>Used on 1" armrest tubing: Angle Adjustable Locking Extendable Flip Up</i>	1
8b	002902	Power Tilt Band Clamp Strap 7/8" <i>Used on 7/8" armrest tubing: Height Adjustable T-Arm, Height Adjustable T-Arm Low and Height Adjustable Dual Post Flip Back</i>	1
9	002903	Power Tilt Band Clamp Mandrel	2
10	002904	Power Tilt Clamp Spacer <i>Only used with Angle Adjustable Locking Extendable Flip Up Armrest</i>	1
11	002905	Power Tilt Battery RCB10 Unit, Focus <i>(Motor Cord not shown in image)</i>	1
12	506654	Power Tilt Motor Arm Assembly with Instruction <i>Replaced part number 003664</i>	1
13	003659	Power Tilt Rack Assembly	1
13, 46	505578	Power Tilt Rack Assembly with Rack Mount Plates <i>Contains 003659 and quantity 2 of 003871</i>	1
14	002910	Power Tilt Mounting Plate Right Focus	1
15	002911	Power Tilt Mounting Plate Left Focus	1
16	003090	Power Tilt Control Switch Mount Block	1
17	003091	Power Tilt Control Switch Spacer	1
18	100676	M6 x 55 CLS10.9 DIN931 HHCS ZC <i>Used with Angle Adjustable Locking Extendable Flip Up Arm with Arm Pad</i>	1
19	101826	M6 x 50 HHCS Blk Zn <i>Used with Height Adjustable T-Arm, Height Adjustable T-Arm Low and Height Adjustable Dual Post Flip Back Arm</i>	1
20	101825	M6 x 40 HHCS Blk Zn	2

Item Number	Part Number	Description	Quantity
21	102386	M6 x 35mm HHCS Blk Zc	2
22	102792	M6 x 25, HHCS, Blk Zn	2
23	102327	M6 x 16 HHCS Blk Zn	4
24	102933	M5 x 30 HHCS, BLK ZN	2
25	102935	M5 X 6 HHCS w/Patch, Blk Zn	2
26	102936	M6 X 16 FHCS, Blk Zn	4
27	101835	M6 Lock Washer Blk Zn	7
28	102937	M5 X 14 FHCS, Blk Zn	4
29	101824	M6 x 30 HHCS Blk Zn	4
30	100746	M6 Flat Washer Blk Zn	18
31	101856	Flat Washer, M5, Blk Zn	2
32	100658	M6 Nylock Nut Blk Zn	16
33	100657	M5 Nylock Nut Blk Zn	2
34a	001117	Cable Clip 1" <i>Quantity 2 used on 1" armrest tubing: Angle Adjustable Locking Extendable Flip Up. Additional clip used on seat tube - not shown in image.</i>	3
34b	001118	Cable Clip 7/8" <i>Used on 7/8" armrest tubing: Height Adjustable T-Arm, Height Adjustable T-Arm Low and Height Adjustable Dual Post Flip Back</i>	2
35	103986	Power Tilt Toggle Switch Extension Handle <i>Replaced part number 003631 (Power Tilt Control Switch Joystick Cover)</i>	1
36	001037	Thrust Plate Tilt Stop TILT	8
37	001036	Pad Tilt Stop TILT	8
38	003349	Power Tilt Extension Cable <i>If replacing this cable and chair was invoiced prior to 8/20/18, a new power tilt extension cable bracket is required, 003350.</i>	1
39	003350	Power Tilt Extension Cable Bracket	1
40	101829	M8 x 65 HHCS Blk Zn	1
41	102800	M4 x 8mm SHCS Blk Zn	2
42	102329	M4 Nylock Nut Blk Zn	2

Item Number	Part Number	Description	Quantity
43	100659	M8 Nylock Nut Blk Zn	1
44	101858	Washer Flat M8 Blk Zn	2
45	505090	Power Tilt Interface Control Box for Adaptive Switching	1
46	003871	Power Tilt Rack Mount Plate	2
47	506563	Replacement Power Tilt Battery with Instruction <i>This is only a replacement battery, it does not include the top and lower caps. If wanting a complete battery unit, use part number 002905.</i>	1
48	506653	Power Tilt Pendant Controller with LED Indicator	1
49	111883	Power Tilt Battery Charger, Control Box, with US Plug Adapter (Mascot 2241 LA) <i>Replaced Power Tilt Battery Charger RCB 120V (Mascot 2740) part number 002906</i>	1