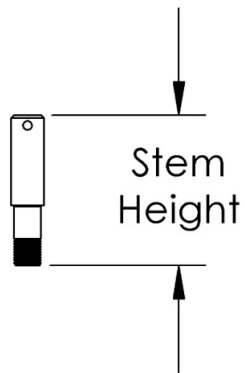
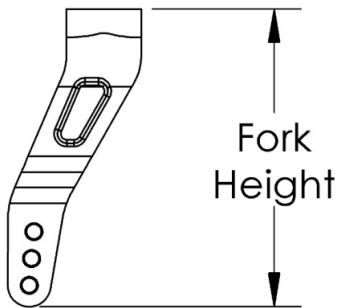


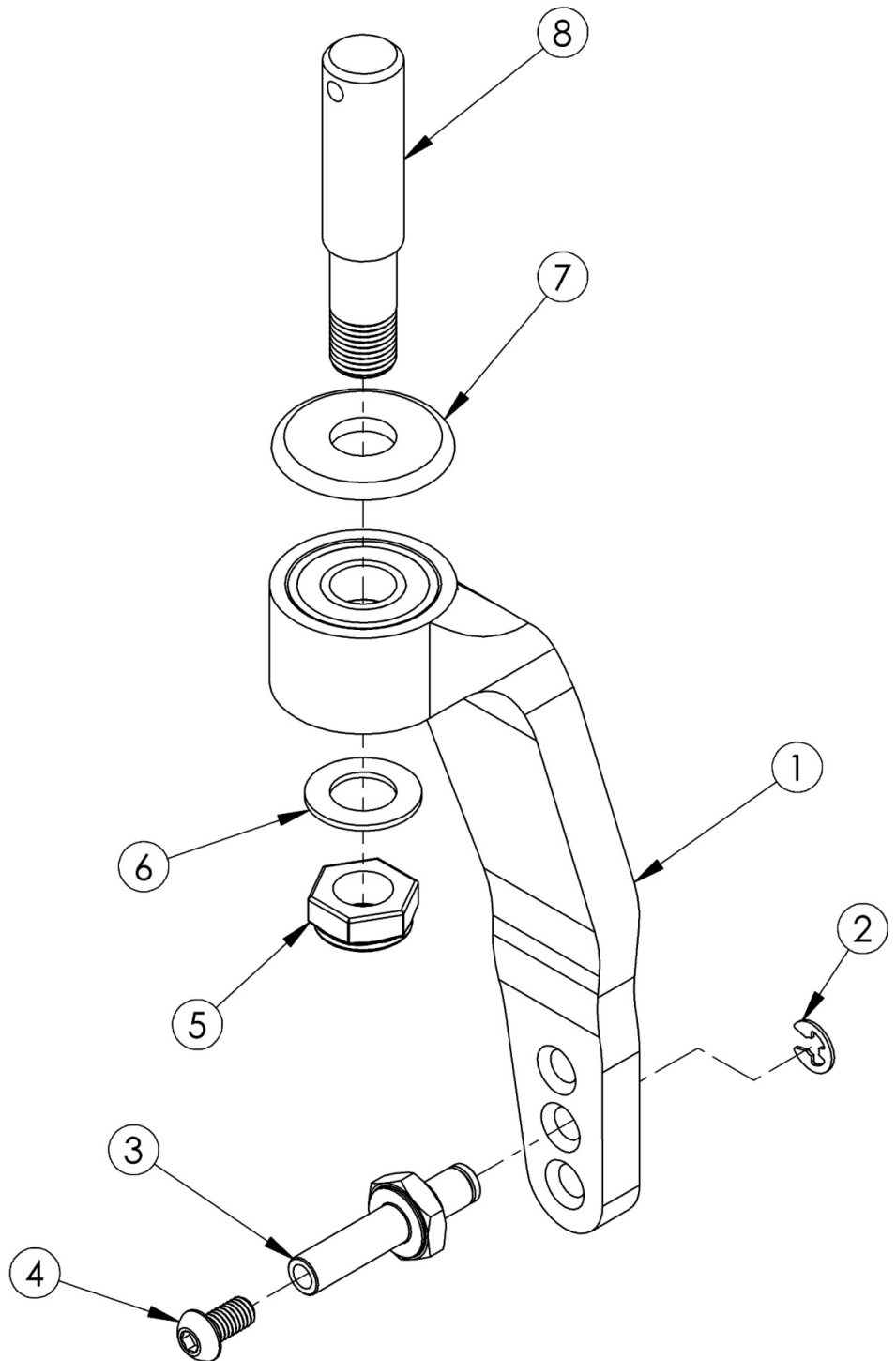
Rogue / Klik Single Sided Fork



Std	2.0"
+ 3/4"	2.8"



Short	5.2"
Tall	5.6"



Use short forks with 3"-5" casters and tall forks with 6" casters.

Item Number	Part Number	Description	Quantity
1a, 2-5, 7a	501800	Caster Fork Single Sided Short Right Black Anodized	1
1a, 2-5, 7b	501800_ _ _	Caster Fork Single Sided Short Right Color Anodized	1
1b, 2-5, 7a	501801	Caster Fork Single Sided Short Left Black Anodized	1
1b, 2-5, 7b	501801_ _ _	Caster Fork Single Sided Short Left Color Anodized	1
1c, 2-5, 7a	501802	Caster Fork Single Sided Tall Right Black Anodized	1
1c, 2-5, 7b	501802_ _ _	Caster Fork Single Sided Tall Right Color Anodized	1
1d, 2-5, 7a	501803	Caster Fork Single Sided Tall Left Black Anodized	1
1d, 2-5, 7b	501803_ _ _	Caster Fork Single Sided Tall Left Color Anodized	1
5, 6, 8a	112905	Single Sided Standard Stem Assembly <i>Replaced assembly part number 501797</i>	1
5, 6, 8b	501798	Single Sided 3/4" Stem Assembly	1
2-4	501799	Single Sided Axle Assembly	1
2	102364	Side-Mount External Retaining Ring (E-Style) Black-Finish Steel	1
3	001354	Axle Shaft for Single Sided Fork	1
4	100667	M6 x 12 BTN SHCS BLKZC w/Patch	1
5a	101459	1/2-20 NTE JAM NYL INS L/N BLK ZC <i>Used with +3/4" Stem</i>	1
5b	101840	M10 Nylock Nut Blk Zn <i>Used with Standard Stem</i>	1
6a	100682	Washer 1/2" .518 x .875 x .047 F/W Black Zinc <i>Used with +3/4" Stem</i>	1
6b	101859	M10 Flat Washer Blk Zn <i>Used with Standard Stem</i>	1
7a	001355	Caster Bearing Cap Black Anodized	1
7b	001355_ _ _	Color Anodized Caster Bearing Cap	1

Color Anodizing Samples

