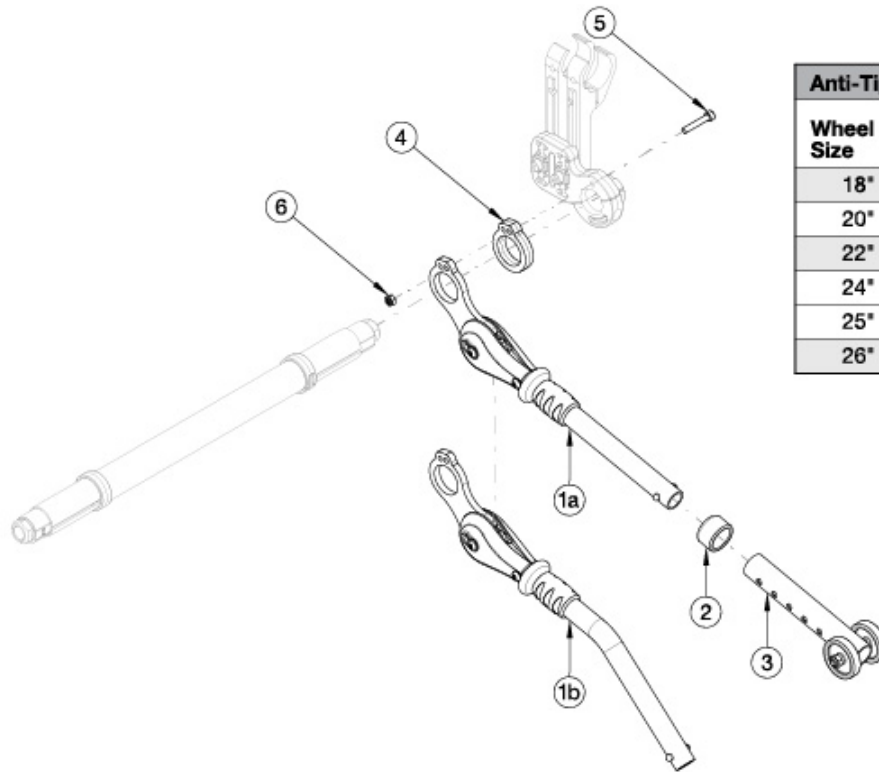


# Rogue XP User Activated Anti-Tip



Anti-Tip Assemblies					
Wheel Size	Dump				
	1"	2"	3"	4"	5"
18"	116542	114198	114198	114198	114198
20"	114197	116542	116542	114198	114198
22"	114197	116542	116542	116542	114198
24"	114197	114197	116542	116542	116542
25"	114198	114197	114197	116542	116542
26"	114197	114197	116542	116542	116542

Complete assemblies contain "one" complete user activated anti-tip. Quantity two is required for a pair. A pair of User Activated Anti-Tips is not available if a tipping lever is present. Not available with One Arm Drive. Used on chairs invoiced starting on 3/12/25

Item Number	Part Number	Description	Quantity
1a, 2, 3, 4-6	117507	User Anti Tip Complete Assembly, Straight, Rogue2 / Rogue XP	1
1b, 2, 3, 4-6	117508	User Anti Tip Complete Assembly, Bent, Rogue2 / Rogue XP	1
1c, 2, 3, 4-6	117509	User Anti Tip Complete Assembly, Bent, 15 Degrees, Rogue2 / Rogue XP	1
1a	114198	Anti-Tip Upper Assembly Straight, User Activated, Rogue2 / Rogue XP	1
1b	114197	Anti-Tip Upper Assembly Bent, User Activated, Rogue2 / Rogue XP	1
1c	116542	Anti-Tip Upper Assembly Bent, User Activated, 15 Degrees, Rogue2 / Rogue XP	1
3	119668	Anti-Tip Lower Assembly <i>Replaces 004691</i>	1
2	004306	Anti-Tip Anti Rattle Bushing	1
4	113998	Anti Tip Spacer	1
5	116550	M5 x 0.8 x 30, SHCS CLS 10.9, PT, BLZ, DIN 912	1

Item Number	Part Number	Description	Quantity
6	100657	M5 Nylock Nut Blk Zn	1