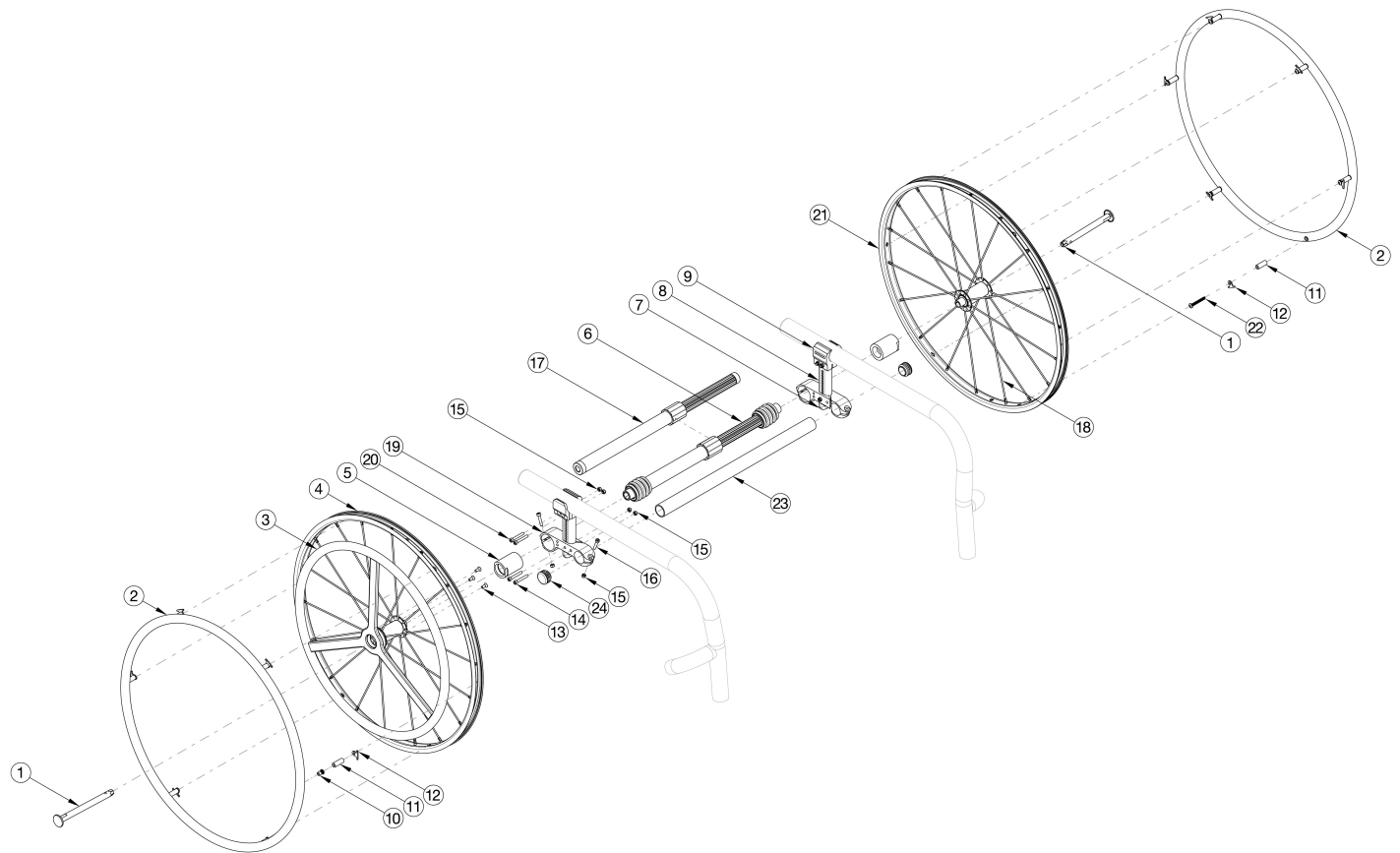


Rogue / Rogue2 / Rogue XP 22" One Arm Drive Quick Release



Most One Arm Drive kits do not include rear tires. If retrofitting to add the One Arm Drive, new rear towers are required in addition to the complete One Arm Drive system and camber tube kit. Effective 5/13/2022, all One Arm Drives will be shipped with a close mounted Aluminum Anodized Handrim on the non-drive wheel.

Item Number	Part Number	Description	Quantity
1, 2, 3a, 4b, 5a, 10-16, 17a, 19, 21	112681	Rogue Quick Release One Arm Drive Retrofit Kit, 0° Camber, 22" Spoke with Aluminum Drive Handrim, 177-255mm Drive Shaft	1
1, 2, 3a, 4b, 5a, 10-16, 17b, 19, 21	112682	Rogue Quick Release One Arm Drive Retrofit Kit, 0° Camber, 22" Spoke with Aluminum Drive Handrim, 225-295mm Drive Shaft	1
1, 2, 3a, 4b, 5a, 10-16, 17c, 19, 21	112683	Rogue Quick Release One Arm Drive Retrofit Kit, 0° Camber, 22" Spoke with Aluminum Drive Handrim, 260-370mm Drive Shaft	1
1, 2, 3a, 4b, 5a, 10-16, 17d, 19, 21	112684	Rogue Quick Release One Arm Drive Retrofit Kit, 0° Camber, 22" Spoke with Aluminum Drive Handrim, 330-440mm Drive Shaft	1
1, 2, 3a, 4b, 5a, 10-16, 17e, 19, 21	112685	Rogue Quick Release One Arm Drive Retrofit Kit, 0° Camber, 22" Spoke with Aluminum Drive Handrim, 421-491mm Drive Shaft	1
1, 2, 3a, 4b, 5b, 6a, 10-16, 19, 21	112686	Rogue Quick Release One Arm Drive Retrofit Kit, 2° Camber, 22" Spoke with Aluminum Drive Handrim, 170-195mm Drive Shaft	1

Item Number	Part Number	Description	Quantity
1, 2, 3a, 4b, 5b, 6b, 10-16, 19, 21	112687	Rogue Quick Release One Arm Drive Retrofit Kit, 2° Camber, 22" Spoke with Aluminum Drive Handrim, 180-210mm Drive Shaft	1
1, 2, 3a, 4b, 5b, 6c, 10-16, 19, 21	112688	Rogue Quick Release One Arm Drive Retrofit Kit, 2° Camber, 22" Spoke with Aluminum Drive Handrim, 195-235mm Drive Shaft	1
1, 2, 3a, 4b, 5b, 6d, 10-16, 19, 21	112689	Rogue Quick Release One Arm Drive Retrofit Kit, 2° Camber, 22" Spoke with Aluminum Drive Handrim, 220-280mm Drive Shaft	1
1, 2, 3a, 4b, 5b, 6e, 10-16, 19, 21	112690	Rogue Quick Release One Arm Drive Retrofit Kit, 2° Camber, 22" Spoke with Aluminum Drive Handrim, 270-330mm Drive Shaft	1
1, 2, 3a, 4b, 5b, 6f, 10-16, 19, 21	112691	Rogue Quick Release One Arm Drive Retrofit Kit, 2° Camber, 22" Spoke with Aluminum Drive Handrim, 295-370mm Drive Shaft	1
1, 2, 3a, 4b, 5b, 6g, 10-16, 19, 21	112692	Rogue Quick Release One Arm Drive Retrofit Kit, 2° Camber, 22" Spoke with Aluminum Drive Handrim, 350-460mm Drive Shaft	1
1, 2, 3a, 4b, 5b, 6h, 10-16, 19, 21	112693	Rogue Quick Release One Arm Drive Retrofit Kit, 2° Camber, 22" Spoke with Aluminum Drive Handrim, 420-530mm Drive Shaft	1
1, 2, 3a, 4b, 5c, 6c, 10-16, 19, 21	112694	Rogue Quick Release One Arm Drive Retrofit Kit, 4° Camber, 22" Spoke with Aluminum Drive Handrim, 195-235mm Drive Shaft	1
1, 2, 3a, 4b, 5c, 6d, 10-16, 19, 21	112695	Rogue Quick Release One Arm Drive Retrofit Kit, 4° Camber, 22" Spoke with Aluminum Drive Handrim, 220-280mm Drive Shaft	1
1, 2, 3a, 4b, 5c, 6e, 10-16, 19, 21	112696	Rogue Quick Release One Arm Drive Retrofit Kit, 4° Camber, 22" Spoke with Aluminum Drive Handrim, 270-330mm Drive Shaft	1
1, 2, 3a, 4b, 5c, 6f, 10-16, 19, 21	112697	Rogue Quick Release One Arm Drive Retrofit Kit, 4° Camber, 22" Spoke with Aluminum Drive Handrim, 295-370mm Drive Shaft	1
1, 2, 3a, 4b, 5c, 6g, 10-16, 19, 21	112698	Rogue Quick Release One Arm Drive Retrofit Kit, 4° Camber, 22" Spoke with Aluminum Drive Handrim, 350-460mm Drive Shaft	1
1, 2, 3b, 4b, 5a, 10-16, 17a, 19, 21	115152	Rogue Quick Release One Arm Drive Retrofit Kit, 0° Camber, 22" Spoke with Poly Coated Drive Handrim, 177-255mm Drive Shaft	1
1, 2, 3b, 4b, 5a, 10-16, 17b, 19, 21	115153	Rogue Quick Release One Arm Drive Retrofit Kit, 0° Camber, 22" Spoke with Poly Coated Drive Handrim, 225-295mm Drive Shaft	1
1, 2, 3b, 4b, 5a, 10-16, 17c, 19, 21	115154	Rogue Quick Release One Arm Drive Retrofit Kit, 0° Camber, 22" Spoke with Poly Coated Drive Handrim, 260-370mm Drive Shaft	1
1, 2, 3b, 4b, 5a, 10-16, 17d, 19, 21	115155	Rogue Quick Release One Arm Drive Retrofit Kit, 0° Camber, 22" Spoke with Poly Coated Drive Handrim, 330-440mm Drive Shaft	1
1, 2, 3b, 4b, 5a, 10-16, 17e, 19, 21	115156	Rogue Quick Release One Arm Drive Retrofit Kit, 0° Camber, 22" Spoke with Poly Coated Drive Handrim, 421-491mm Drive Shaft	1
1, 2, 3b, 4b, 5b, 6a, 10-16, 19, 21	115157	Rogue Quick Release One Arm Drive Retrofit Kit, 2° Camber, 22" Spoke with Poly Coated Drive Handrim, 170-195mm Drive Shaft	1
1, 2, 3b, 4b, 5b, 6b, 10-16, 19, 21	115158	Rogue Quick Release One Arm Drive Retrofit Kit, 2° Camber, 22" Spoke with Poly Coated Drive Handrim, 180-210mm Drive Shaft	1

Item Number	Part Number	Description	Quantity
1, 2, 3b, 4b, 5b, 6c, 10-16, 19, 21	115159	Rogue Quick Release One Arm Drive Retrofit Kit, 2° Camber, 22" Spoke with Poly Coated Drive Handrim, 195-235mm Drive Shaft	1
1, 2, 3b, 4b, 5b, 6d, 10-16, 19, 21	115160	Rogue Quick Release One Arm Drive Retrofit Kit, 2° Camber, 22" Spoke with Poly Coated Drive Handrim, 220-280mm Drive Shaft	1
1, 2, 3b, 4b, 5b, 6e, 10-16, 19, 21	115161	Rogue Quick Release One Arm Drive Retrofit Kit, 2° Camber, 22" Spoke with Poly Coated Drive Handrim, 270-330mm Drive Shaft	1
1, 2, 3b, 4b, 5b, 6f, 10-16, 19, 21	115162	Rogue Quick Release One Arm Drive Retrofit Kit, 2° Camber, 22" Spoke with Poly Coated Drive Handrim, 295-370mm Drive Shaft	1
1, 2, 3b, 4b, 5b, 6g, 10-16, 19, 21	115163	Rogue Quick Release One Arm Drive Retrofit Kit, 2° Camber, 22" Spoke with Poly Coated Drive Handrim, 350-460mm Drive Shaft	1
1, 2, 3b, 4b, 5b, 6h, 10-16, 19, 21	115164	Rogue Quick Release One Arm Drive Retrofit Kit, 2° Camber, 22" Spoke with Poly Coated Drive Handrim, 420-530mm Drive Shaft	1
1, 2, 3b, 4b, 5c, 6c, 10-16, 19, 21	115165	Rogue Quick Release One Arm Drive Retrofit Kit, 4° Camber, 22" Spoke with Poly Coated Drive Handrim, 195-235mm Drive Shaft	1
1, 2, 3b, 4b, 5c, 6d, 10-16, 19, 21	115166	Rogue Quick Release One Arm Drive Retrofit Kit, 4° Camber, 22" Spoke with Poly Coated Drive Handrim, 220-280mm Drive Shaft	1
1, 2, 3b, 4b, 5c, 6e, 10-16, 19, 21	115167	Rogue Quick Release One Arm Drive Retrofit Kit, 4° Camber, 22" Spoke with Poly Coated Drive Handrim, 270-330mm Drive Shaft	1
1, 2, 3b, 4b, 5c, 6f, 10-16, 19, 21	115168	Rogue Quick Release One Arm Drive Retrofit Kit, 4° Camber, 22" Spoke with Poly Coated Drive Handrim, 295-370mm Drive Shaft	1
1, 2, 3b, 4b, 5c, 6g, 10-16, 19, 21	115169	Rogue Quick Release One Arm Drive Retrofit Kit, 4° Camber, 22" Spoke with Poly Coated Drive Handrim, 350-460mm Drive Shaft	1
1, 2, 11b, 12, 21, 22	119588	Quick Release One Arm Drive, 22" Spoke Wheel with Axle (Driven Side) and Close Mounted Handrim	1
1, 3a, 4b, 13	112900	Quick Release One Arm Drive Drive, 22" Spoke Wheel with Axle and Aluminum Drive Handrim	1
1, 3b, 4b, 13	115287	Quick Release One Arm Drive Drive, 22" Spoke Wheel with Axle and Poly Coated Drive Handrim	1
2.0	100560	Handrim Aluminum Anodized 6 Rivet Nut 22" <i>Does not include mounting hardware</i>	1
2, 11b, 12, 22	116448	Alumnum Anodized Handrim 6 Rivet Nut 22" with Close Mount Hardware, Non-Drive Side	1
3a	111831	Quick Release One Arm Drive, Aluminum Drive Side Handrim for 22" Wheel <i>Does not include mounting hardware</i>	1
3b	112434	Quick Release One Arm Drive, Poly Coated Drive Side Handrim for 22" Wheel <i>Does not include mounting hardware</i>	1
3c	118247	Quick Release One Arm Drive, Aluminum Drive Side Handrim for 22" Wheel with Micro Grip <i>Does not include mounting hardware</i>	1
5a	107031	One Arm Drive Blade/Quick Release Camber Plug w/Bearings - 0° Camber	2

Item Number	Part Number	Description	Quantity
5a, 19	108074	One Arm Drive Rogue/Clik Axle Mount 0 Degree Camber PAIR	1
5b, 19	003209	One Arm Drive Rogue/Clik Axle Mount 2 Degree Camber, PAIR	1
5c, 19	003210	One Arm Drive Rogue/Clik Axle Mount 4 Degree Camber Each	2
6a	111858	One Arm Drive - Quick Release Camber Drive Shaft 170-195mm	1
6b	111627	One Arm Drive - Quick Release Camber Drive Shaft 180-210mm	1
6c	111628	One Arm Drive - Quick Release Camber Drive Shaft 195-235mm	1
6d	111498	One Arm Drive - Quick Release Camber Drive Shaft 220-280mm	1
6e	111499	One Arm Drive - Quick Release Camber Drive Shaft 270-330mm	1
6f	111500	One Arm Drive - Quick Release Camber Drive Shaft 295-370mm	1
6g	111501	One Arm Drive - Quick Release Camber Drive Shaft 350-460mm	1
6h	111502	One Arm Drive - Quick Release Camber Drive Shaft 420-530mm	1
7	000920	Camber Mount Cap Rigid	2
8a	000924	Camber Mount Tower Medium Black Anodized Rigid	1
8b	000924_ _ _	Color Anodized Camber Mount Tower Medium Rigid	2
8c	000925	Camber Mount Tower Long Black Anodized Rigid	2
8d	000925_ _ _	Color Anodized Camber Mount Tower Long Rigid	2
8e	000926	Camber Mount Tower Extra Long Black Anodized Rigid	2
8f	000926_ _ _	Color Anodized Camber Mount Tower Extra Long Rigid	2
9a, 15, 20	503289	Camber Tower Clamp Black Anodized w/ Hardware Assembly, One Side RG/LW <i>If negative CG, see Rogue and Little Wave Camber Mount page</i>	1
9b, 15, 20	503289_ _ _	Color Anodized Camber Tower Clamp w/ Hardware Assembly, One Side RG/LW <i>If negative CG, see Rogue and Little Wave Camber Mount page</i>	1
10	100654	M5 x 40 DIN7985 PH Pan HD M/S ZC	6
11a	100653	Handrim Spacer Spoke	6
12	100698	Handrim Tab	6
13	103522	M5 x 0.8 x 12 FHCS CLS 10.9 Nyl Blk Zn DIN7991	3
14	101734	M5 x 35 SHCS BLK ZC	2

Item Number	Part Number	Description	Quantity
15	100657	M5 Nylock Nut Blk Zn	4
16	101717	M5 x 25 SHCS BLK ZC	2
17a	111503	One Arm Drive - Quick Release Zero Camber Drive Shaft 177-255mm	1
17b	111504	One Arm Drive - Quick Release Zero Camber Drive Shaft 225-295mm	1
17c	111505	One Arm Drive - Quick Release Zero Camber Drive Shaft 260-370mm	1
17d	111506	One Arm Drive - Quick Release Zero Camber Drive Shaft 330-440mm	1
17e	111507	One Arm Drive - Quick Release Zero Camber Drive Shaft 421-491mm	1
18.0	111514	Replacement Spoke, Quick Release One Arm Drive, 22"	1
20	101186	M5 X 45 CLS12.9 DIN912 SHCS P/THD BLZ <i>Used with positive CG. If negative CG, see Rogue and Little Wave Camber Mount page</i>	4
22	102616	M5 X 25 BHCS BLK ZC	1
23a	003369	One Arm Drive Camber Tube 11" Kit, Klik / Rogue XP <i>Does not include tube end plugs</i>	1
23b	003370	One Arm Drive Camber Tube 12" Kit, Klik / Rogue / Rogue XP <i>Does not include tube end plugs</i>	1
23c	003371	One Arm Drive Camber Tube 13" Kit, Klik / Rogue / Rogue XP <i>Does not include tube end plugs</i>	1
23d	003372	One Arm Drive Camber Tube 14" Kit, Klik / Rogue / Rogue XP <i>Does not include tube end plugs</i>	1
23e	003373	One Arm Drive Camber Tube 15" Kit, Klik / Rogue / Rogue XP <i>Does not include tube end plugs</i>	1
23f	003374	One Arm Drive Camber Tube 16" Kit, Klik / Rogue / Rogue XP <i>Does not include tube end plugs</i>	1
23g	003708	One Arm Drive Camber Tube 17" Kit, Klik / Rogue / Rogue XP <i>Does not include tube end plugs</i>	1
23h	003709	One Arm Drive Camber Tube 18" Kit, Klik / Rogue / Rogue XP <i>Does not include tube end plugs</i>	1
23i	116857	One Arm Drive Camber Tube 19" Kit, Rogue <i>Does not include tube end plugs</i>	1
23j	116858	One Arm Drive Camber Tube 20" Kit, Rogue <i>Does not include tube end plugs</i>	1
24	100532	Tube End Plug 1 1/8"	1

DRIVE SHAFT LENGTH BY CONFIGURATION				
ROGUE SEAT WIDTH	WHEEL SPACING	CAMBER	DESCRIPTION	PART NUMBER
SEAT WIDTH 11"	1.75	0	QUICK RELEASE OAD ZERO CAMBER DRIVE SHAFT 177-255MM	~111503
	.75, 1	2	QUICK RELEASE OAD CAMBER DRIVE SHAFT 170-195MM	#111858
	1.25	2	QUICK RELEASE OAD CAMBER DRIVE SHAFT 180-210MM	#111627
	1.5	2	QUICK RELEASE OAD CAMBER DRIVE SHAFT 195-235MM	#111628
	1.75	2	QUICK RELEASE OAD CAMBER DRIVE SHAFT 195-235MM	~111628
	1	4	QUICK RELEASE OAD CAMBER DRIVE SHAFT 195-235MM	#111628
	1.25	4	QUICK RELEASE OAD CAMBER DRIVE SHAFT 220-280MM	~111498
SEAT WIDTH 12"	1.5	0	QUICK RELEASE OAD ZERO CAMBER DRIVE SHAFT 177-255MM	111503
	1.75	0	QUICK RELEASE OAD ZERO CAMBER DRIVE SHAFT 177-255MM	~111503
	.75, 1	2	QUICK RELEASE OAD CAMBER DRIVE SHAFT 180-210MM	#111627
	1.25, 1.5	2	QUICK RELEASE OAD CAMBER DRIVE SHAFT 195-235MM	111628
	1.75	2	QUICK RELEASE OAD CAMBER DRIVE SHAFT 220-280MM	~111498
	0.75	4	QUICK RELEASE OAD CAMBER DRIVE SHAFT 195-235MM	111628
	1	4	QUICK RELEASE OAD CAMBER DRIVE SHAFT 220-280MM	~111498
1.25	4	QUICK RELEASE OAD CAMBER DRIVE SHAFT 220-280MM	~111498	
SEAT WIDTH 13"	1, 1.25, 1.5	0	QUICK RELEASE OAD ZERO CAMBER DRIVE SHAFT 177-255MM	111503
	1.75	0	QUICK RELEASE OAD ZERO CAMBER DRIVE SHAFT 225-295MM	~111504
	.75, 1	2	QUICK RELEASE OAD CAMBER DRIVE SHAFT 195-235MM	111628
	1.25, 1.5	2	QUICK RELEASE OAD CAMBER DRIVE SHAFT 220-280MM	111498
	1.75	2	QUICK RELEASE OAD CAMBER DRIVE SHAFT 220-280MM	~111498
	0.75	4	QUICK RELEASE OAD CAMBER DRIVE SHAFT 220-280MM	111498
	1	4	QUICK RELEASE OAD CAMBER DRIVE SHAFT 220-280MM	~111498
1.25	4	QUICK RELEASE OAD CAMBER DRIVE SHAFT 270-330MM	~111499	
SEAT WIDTH 14"	1, 1.25	0	QUICK RELEASE OAD ZERO CAMBER DRIVE SHAFT 177-255MM	111503
	1.5	0	QUICK RELEASE OAD ZERO CAMBER DRIVE SHAFT 225-295MM	111504
	1.75	0	QUICK RELEASE OAD ZERO CAMBER DRIVE SHAFT 225-295MM	~111504
	.75, 1, 1.25	2	QUICK RELEASE OAD CAMBER DRIVE SHAFT 220-280MM	111498
	1.5	2	QUICK RELEASE OAD CAMBER DRIVE SHAFT 270-330MM	#111499
	1.75	2	QUICK RELEASE OAD CAMBER DRIVE SHAFT 270-330MM	~111499
	0.75	4	QUICK RELEASE OAD CAMBER DRIVE SHAFT 270-330MM	#111499
1	4	QUICK RELEASE OAD CAMBER DRIVE SHAFT 270-330MM	~111499	
1.25	4	QUICK RELEASE OAD CAMBER DRIVE SHAFT 270-330MM	~111499	
SEAT WIDTH 15"	1, 1.25, 1.5	0	QUICK RELEASE OAD ZERO CAMBER DRIVE SHAFT 225-295MM	111504
	1.75	0	QUICK RELEASE OAD ZERO CAMBER DRIVE SHAFT 260-370MM	~111505
	0.75	2	QUICK RELEASE OAD CAMBER DRIVE SHAFT 220-280MM	111498
	1	2	QUICK RELEASE OAD CAMBER DRIVE SHAFT 270-330MM	#111499
	1.25, 1.5	2	QUICK RELEASE OAD CAMBER DRIVE SHAFT 270-330MM	111499
	1.75	2	QUICK RELEASE OAD CAMBER DRIVE SHAFT 295-370MM	~111500
	0.75	4	QUICK RELEASE OAD CAMBER DRIVE SHAFT 270-330MM	111499
	1	4	QUICK RELEASE OAD CAMBER DRIVE SHAFT 295-370MM	~111500
1.25	4	QUICK RELEASE OAD CAMBER DRIVE SHAFT 295-370MM	~111500	

Rogue No-Go Configurations			
Wheel Size	Camber	Wheel Spacing	Rear Seat Height
24	0	1	14.5
24	0	1	15
24	0	1	15.5
22	0	1	14.5
22	0	1	15
22	0	1	15.5
20	0	1	12.5
20	0	1	13

Seat width less than 16" + any rear wheel camber + any 5th wheel = N/A with QR OAD

#For this configuration, one wheel must be removed before the driveshaft can be installed. The second wheel can be installed
 ~For this configuration, tower assemblies are to be mounted outboard of the frame.
 NOTE: Tower assemblies must be mounted outboard of the frame when offset frames are used.
 NOTE: 1.25" minimum wheel spacing is required when side guards are used.

DRIVE SHAFT LENGTH BY CONFIGURATION				
ROGUE SEAT WIDTH	WHEEL SPACING	CAMBER	DESCRIPTION	PART NUMBER
SEAT WIDTH 16"	1	0	QUICK RELEASE OAD ZERO CAMBER DRIVE SHAFT 225-295MM	111504
	1.25, 1.5	0	QUICK RELEASE OAD ZERO CAMBER DRIVE SHAFT 260-370MM	111505
	1.75	0	QUICK RELEASE OAD ZERO CAMBER DRIVE SHAFT 260-370MM	~111505
	.75, 1	2	QUICK RELEASE OAD CAMBER DRIVE SHAFT 270-330MM	111499
	1.25, 1.5	2	QUICK RELEASE OAD CAMBER DRIVE SHAFT 295-370MM	111500
	1.75	2	QUICK RELEASE OAD CAMBER DRIVE SHAFT 295-370MM	~111500
	0.75	4	QUICK RELEASE OAD CAMBER DRIVE SHAFT 295-370MM	111500
	1	4	QUICK RELEASE OAD CAMBER DRIVE SHAFT 295-370MM	~111500
	1.25	4	QUICK RELEASE OAD CAMBER DRIVE SHAFT 295-370MM	~111500
SEAT WIDTH 17"	1, 1.25, 1.5	0	QUICK RELEASE OAD ZERO CAMBER DRIVE SHAFT 260-370MM	111505
	1.75	0	QUICK RELEASE OAD ZERO CAMBER DRIVE SHAFT 330-440MM	~111506
	.75, 1, 1.25, 1.5	2	QUICK RELEASE OAD CAMBER DRIVE SHAFT 295-370MM	111500
	1.75	2	QUICK RELEASE OAD CAMBER DRIVE SHAFT 350-460MM	~111501
	0.75	4	QUICK RELEASE OAD CAMBER DRIVE SHAFT 295-370MM	111500
	1	4	QUICK RELEASE OAD CAMBER DRIVE SHAFT 350-460MM	~111501
	1.25	4	QUICK RELEASE OAD CAMBER DRIVE SHAFT 350-460MM	~111501
SEAT WIDTH 18"	1, 1.25	0	QUICK RELEASE OAD ZERO CAMBER DRIVE SHAFT 260-370MM	111505
	1.5	0	QUICK RELEASE OAD ZERO CAMBER DRIVE SHAFT 330-440MM	111506
	1.75	0	QUICK RELEASE OAD ZERO CAMBER DRIVE SHAFT 330-440MM	~111506
	.75, 1	2	QUICK RELEASE OAD CAMBER DRIVE SHAFT 295-370MM	111500
	1.25, 1.5	2	QUICK RELEASE OAD CAMBER DRIVE SHAFT 350-460MM	111501
	1.75	2	QUICK RELEASE OAD CAMBER DRIVE SHAFT 350-460MM	~111501
	0.75	4	QUICK RELEASE OAD CAMBER DRIVE SHAFT 295-370MM	111500
	1	4	QUICK RELEASE OAD CAMBER DRIVE SHAFT 350-460MM	~111501
	1.25	4	QUICK RELEASE OAD CAMBER DRIVE SHAFT 350-460MM	~111501
SEAT WIDTH 19"	1, 1.25, 1.5	0	QUICK RELEASE OAD ZERO CAMBER DRIVE SHAFT 330-440MM	111506
	1.75	0	QUICK RELEASE OAD ZERO CAMBER DRIVE SHAFT 330-440MM	~111506
	0.75	2	QUICK RELEASE OAD CAMBER DRIVE SHAFT 220-280MM	111498
	1	2	QUICK RELEASE OAD CAMBER DRIVE SHAFT 270-330MM	111499
	1.25	2	QUICK RELEASE OAD CAMBER DRIVE SHAFT 295-370MM	111500
	1.5	2	QUICK RELEASE OAD CAMBER DRIVE SHAFT 350-460MM	111501
	1.75	2	QUICK RELEASE OAD CAMBER DRIVE SHAFT 350-460MM	~111501
	0.75	4	QUICK RELEASE OAD CAMBER DRIVE SHAFT 350-460MM	111501
	1	4	QUICK RELEASE OAD CAMBER DRIVE SHAFT 350-460MM	~111501
	1.25	4	QUICK RELEASE OAD CAMBER DRIVE SHAFT 350-460MM	~111501
SEAT WIDTH 20"	1, 1.25, 1.5	0	QUICK RELEASE OAD ZERO CAMBER DRIVE SHAFT 330-440MM	111506
	1.75	0	QUICK RELEASE OAD ZERO CAMBER DRIVE SHAFT 421-491MM	~111507
	0.75, 1, 1.25, 1.5	2	QUICK RELEASE OAD CAMBER DRIVE SHAFT 350-460MM	111501
	1.75	2	QUICK RELEASE OAD CAMBER DRIVE SHAFT 420-530MM	~111502
	0.75	4	QUICK RELEASE OAD CAMBER DRIVE SHAFT 350-460MM	111501
	1	4	QUICK RELEASE OAD CAMBER DRIVE SHAFT 420-530MM	~111502
	1.25	4	QUICK RELEASE OAD CAMBER DRIVE SHAFT 420-530MM	~111502

#For this configuration, one wheel must be removed before the driveshaft can be installed. The second wheel can be installed once

~For this configuration, tower assemblies are to be mounted outboard of the frame.

NOTE: Tower assemblies must be mounted outboard of the frame when offset frames are used.

NOTE: 1.25" minimum wheel spacing is required when side guards are used.

DRIVE SHAFT CONFIGURATIONS FOR ROGUE WITH T-ARMS				
ROGUE SEAT WIDTH	WHEEL SPACING	CAMBER	DESCRIPTION	PART NUMBER
SEAT WIDTH 11"	1.75	0	QUICK RELEASE OAD ZERO CAMBER DRIVE SHAFT 177-255MM	111503
	1.75	2	QUICK RELEASE OAD CAMBER DRIVE SHAFT 195-235MM	111628
SEAT WIDTH 12"	1.75	0	QUICK RELEASE OAD ZERO CAMBER DRIVE SHAFT 177-255MM	111503
	1.75	2	QUICK RELEASE OAD CAMBER DRIVE SHAFT 220-280MM	111498
SEAT WIDTH 13"	1.75	0	QUICK RELEASE OAD ZERO CAMBER DRIVE SHAFT 225-295MM	111504
	1.75	2	QUICK RELEASE OAD CAMBER DRIVE SHAFT 220-280MM	111498
SEAT WIDTH 14"	1.75	0	QUICK RELEASE OAD ZERO CAMBER DRIVE SHAFT 225-295MM	111504
	1.75	2	QUICK RELEASE OAD CAMBER DRIVE SHAFT 270-330MM	111499
SEAT WIDTH 15"	1.75	0	QUICK RELEASE OAD ZERO CAMBER DRIVE SHAFT 260-370MM	111505
	1.75	2	QUICK RELEASE OAD CAMBER DRIVE SHAFT 295-370MM	111500
SEAT WIDTH 16"	1.75	0	QUICK RELEASE OAD ZERO CAMBER DRIVE SHAFT 260-370MM	111505
	1.75	2	QUICK RELEASE OAD CAMBER DRIVE SHAFT 295-370MM	111500
SEAT WIDTH 17"	1.75	0	QUICK RELEASE OAD ZERO CAMBER DRIVE SHAFT 330-440MM	111506
	1.75	2	QUICK RELEASE OAD CAMBER DRIVE SHAFT 350-460MM	111501
SEAT WIDTH 18"	1.75	0	QUICK RELEASE OAD ZERO CAMBER DRIVE SHAFT 330-440MM	111506
	1.75	2	QUICK RELEASE OAD CAMBER DRIVE SHAFT 350-460MM	111501
SEAT WIDTH 19"	1.75	0	QUICK RELEASE OAD ZERO CAMBER DRIVE SHAFT 330-440MM	111506
	1.75	2	QUICK RELEASE OAD CAMBER DRIVE SHAFT 350-460MM	111501
SEAT WIDTH 20"	1.75	0	QUICK RELEASE OAD ZERO CAMBER DRIVE SHAFT 421-491MM	111507
	1.75	2	QUICK RELEASE OAD CAMBER DRIVE SHAFT 420-530MM	111502

NOTE: TOWER ASSEMBLIES ARE TO BE MOUNTED OUTBOARD OF THE FRAME WHEN T-ARMS ARE USED.

Color Anodizing Samples

