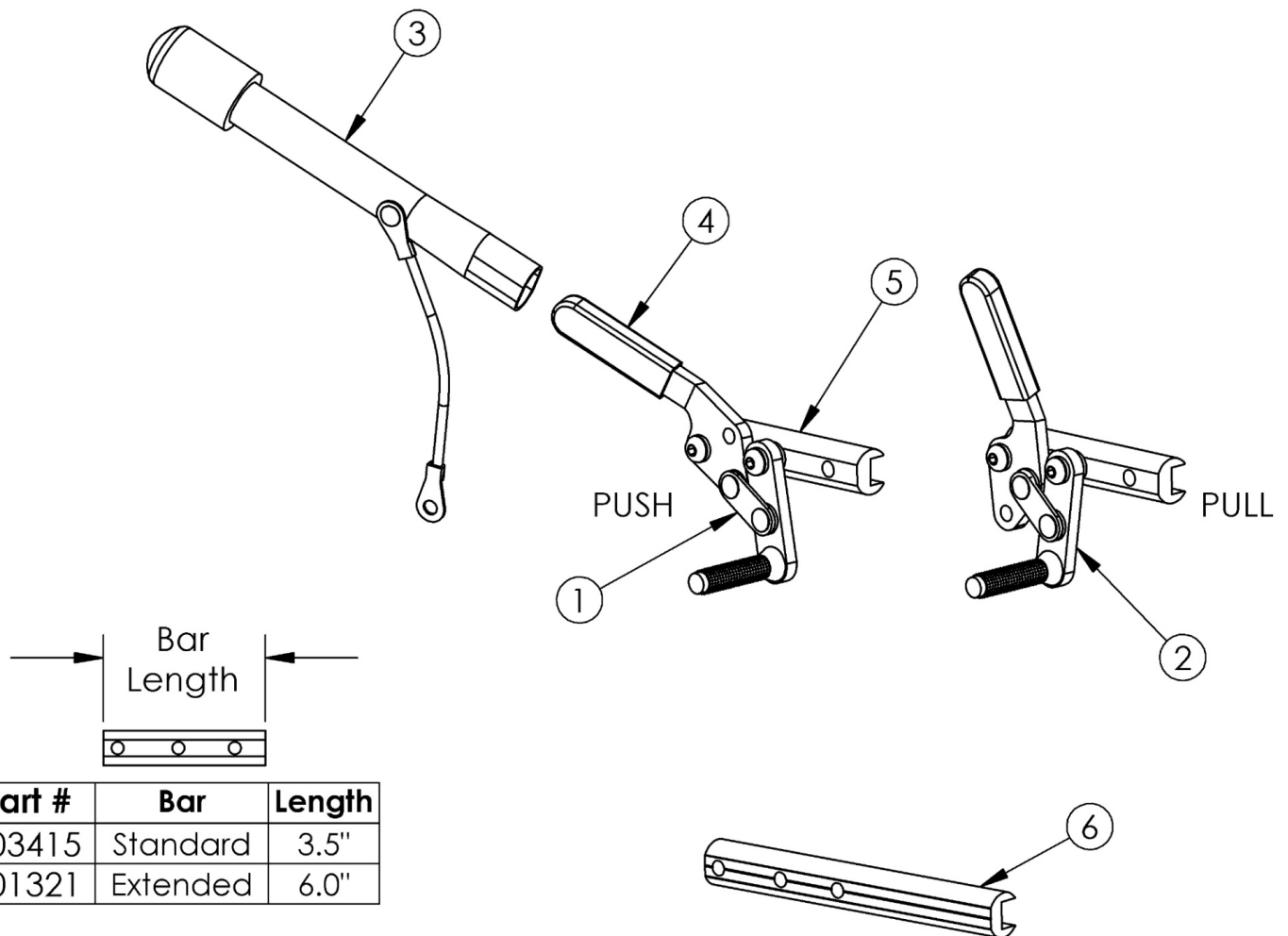


(Discontinued 2) Push and Pull to Lock Wheel Locks



Part #	Bar	Length
003415	Standard	3.5"
001321	Extended	6.0"

This style wheel lock discontinued November 2021 Ethos: if adding Wheel Locks to a chair, new Front ISO Towers are required

Item Number	Part Number	Description	Quantity
1a, 4b, 5	503206	Wheel Lock Assembly, Push Right w/ Instruction <i>This kit contains 200251 wheel lock along with an instruction for reversing the wheel lock. Replaced with kit part number 115308.</i>	1
1b, 4b, 5	503205	Wheel Lock Assembly, Push Left w/ Instruction <i>This kit contains 200252 wheel lock along with an instruction for reversing the wheel lock. Replaced with kit part number 115307.</i>	1
2a, 4b, 5	503207	Wheel Lock Assembly, Pull Right w/ Instruction <i>This kit contains 200253 wheel lock along with an instruction for reversing the wheel lock. Replaced with kit 115305.</i>	1
2b, 4b, 5	503208	Wheel Lock Assembly, Pull Left w/ Instruction	1

Item Number	Part Number	Description	Quantity
		<i>This kit contains 200254 wheel lock along with an instruction for reversing the wheel lock. Replaced with kit 115306.</i>	
1a, 3, 4a, 5	503209	Wheel Lock Assembly, Push Extension Right w/ Instruction <i>This kit contains 200410 wheel lock along with an instruction for reversing the wheel lock. Replaced with kit 115311.</i>	1
1b, 3, 4a, 5	503210	Wheel Lock Assembly, Push Extension Left w/ Instruction <i>This kit contains 200411 wheel lock along with an instruction for reversing the wheel lock. Replaced with kit 115312.</i>	1
2a, 3, 4a, 5	503211	Wheel Lock Assembly, Pull Extension Right w/ Instruction <i>This kit contains 200412 wheel lock along with an instruction for reversing the wheel lock. Replaced with kit 115309.</i>	1
2b, 3, 4a, 5	503212	Wheel Lock Assembly, Pull Extension Left w/ Instruction <i>This kit contains 200413 wheel lock along with an instruction for reversing the wheel lock. Replaced with kit 115310.</i>	1
3	200369	Wheel Lock Extension <i>6" long extension. See current Push and Pull to Lock Wheel Locks page for correct replacement.</i>	1
4a	102336	Wheel Lock Cover Plastic <i>Used with Kits 503209 - 503212</i>	1
4b	111247	Wheel Lock Cover Plastic <i>Used with Kits 503205 - 503207</i>	1
5	003415	Standard Wheel Lock Bar <i>This wheel lock bar is not compatible with the wheel locks on the current Push and Pull to Lock Wheel Locks page</i>	1
6	001321	Wheel Lock Mount Bar Extended <i>Used as needed. This wheel lock bar is not compatible with the wheel locks on the current Push and Pull to Lock Wheel Locks page.</i>	1