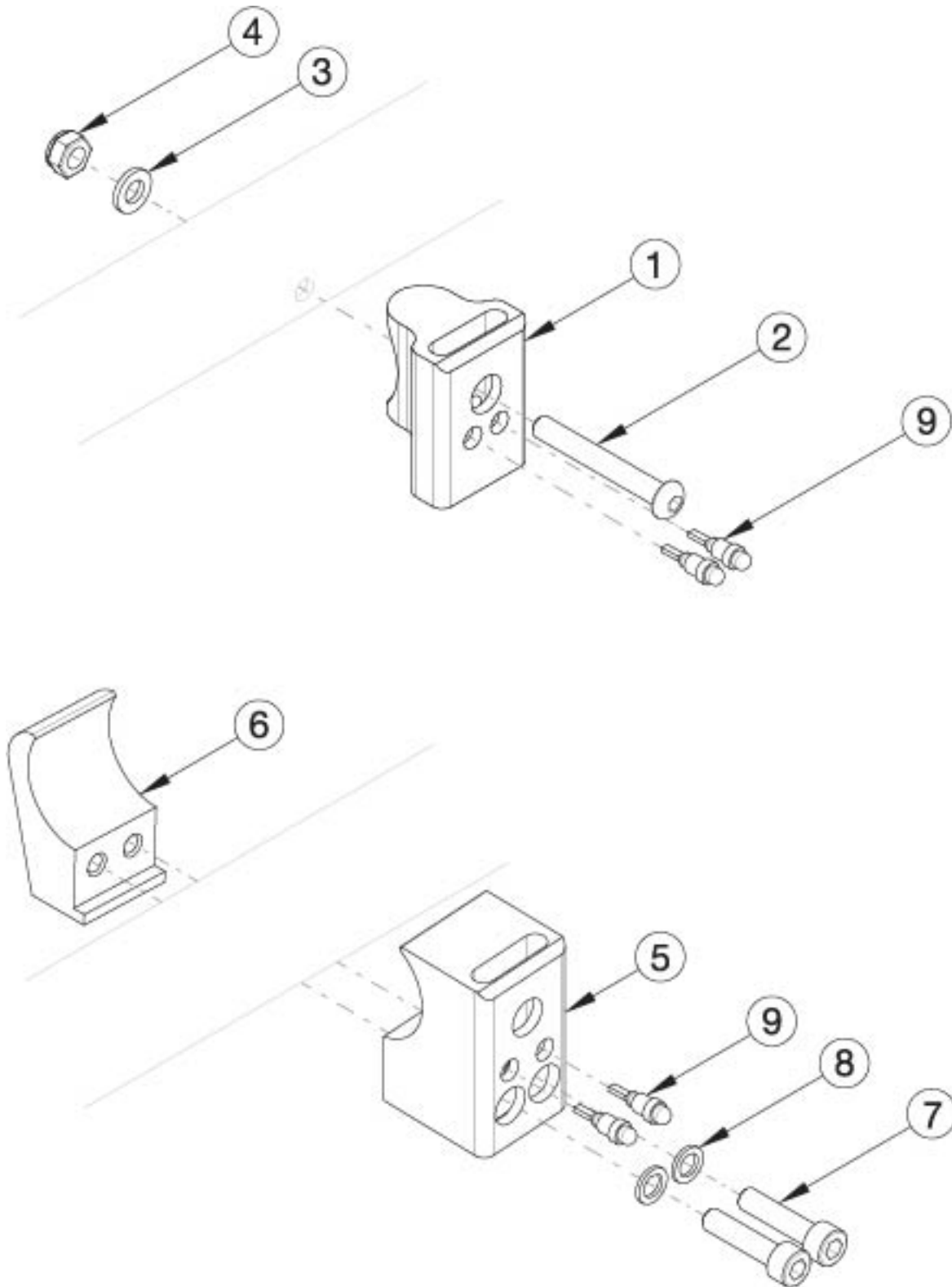


Rogue2 Side Guard Receiver - Color Anodized



If retrofitting side guards, clamp on receiver is required

Item Number	Part Number	Description	Quantity
5-9	501330_ _ _	Wide Side Guard Clamp Receiver Assembly Color Anodized	1
1-4, 9	503141_ _ _	Wide Side Guard Receiver Assembly Color Anodized Rigid	1
1, 9	112060_ _ _	Wide Side Guard Receiver 1-3/8" w/ Chamfer Color Anodized	1
2	100670	M6 x 45 BTN SHCS BLK ZC	1
3	100746	M6 Flat Washer Blk Zn	1
4	100658	M6 Nylock Nut Blk Zn	1
5, 9	112061_ _ _	Wide Side Guard Clamp Receiver 1-3/8" w/Chamfer Color Anodized	1
6	000554	Side Guard Clamp Mount Rigid	1
7	100780	M6 x 25 SHCS ZC	2
8	102326	Flat Washer ID .254" x OD .396" Thickness .047" Zinc	2

Color Anodizing Samples

