



## ORDER FORM

To see QUICKIE Power Options  
or Accessories, scan here or visit:  
[https://www.sunrisemedical.com/  
power-wheelchair-options-accessories](https://www.sunrisemedical.com/power-wheelchair-options-accessories)



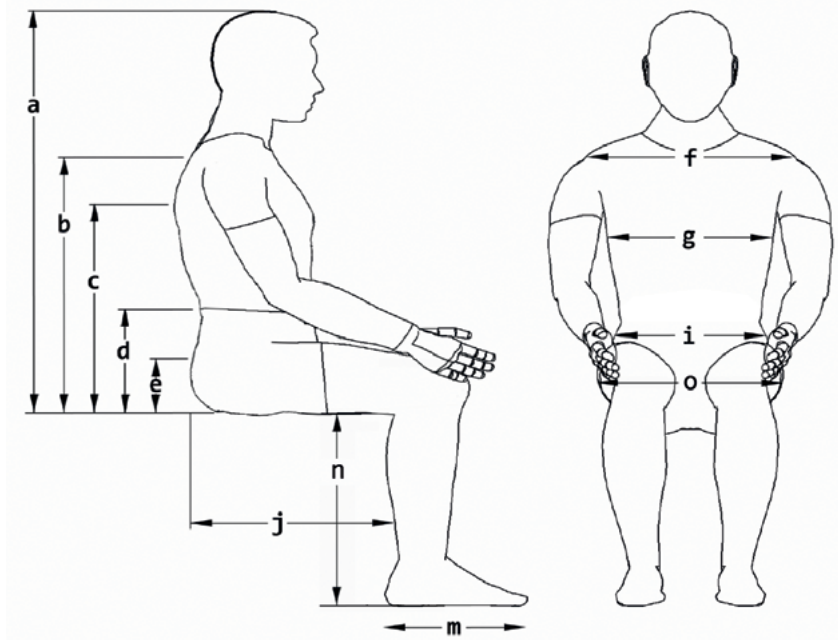
# Q300M with SEDEO® PRO™ and JAY® Syncra™ Seating

**EIPW40**

Customer		Ship To	
Account #		Name	
Date		Address	
PO#		City	
Buyer		State	Zip
Mark For		Phone	

## Client Measurements

a) Top of head to seat	in
b) Top of shoulder to seat	in
c) Underarm to seat	in
d) Elbow to seat	in
e) Top of leg to seat	in
f) Shoulder width	in
g) Chest width	in
i) Hip width	in
j) Actual sitting depth	in
m) Foot length	in
n) Knee to foot	in
o) Seat width	in



## Notes

## Chair Specifications

HCPC	K0848 / K0856 / K0861
Weights starting at: (with Batteries)	NPC: 287 lbs SPC: 312 lbs MPC: 322 lbs
Power Seating	50° of CG Tilt and Power Recline with 4" mechanical sheer reduction / 12" seat elevator
Seat Type	SEDEO® PRO™ / JAY® Syncra™
Seat Size Range	Width 16" to 22" Depth 14" to 22"
Seat-to-Floor Height Range	16.5" to 19"

## Mid-Wheel Drive Base Specifications

Drive Wheel Position	Mid-wheel drive
User Weight Capacity	300 lbs.
Base Size	Width 20.5", Length 33"
Minimum Turning Radius	17" (excludes footplates)
Drive Control	R-net PM 90A / VR-2 90A
Driving Range	Up to 17 miles
Drive Motors	4-pole 6 mph / 10 kph
Drive Wheels	12" w/flat-free inserts (black) 14" w/flat-free inserts (black)
Casters	7" front / 7" rear (black)
Charger	8A Dual Mode (Compact)
Battery Size	50Ah Group 22
Color	9 shroud colors and 7 color accents
Ground Clearance	3"

BASE			
OPTION	HCPC	DESCRIPTION	RETAIL
Group 3 Standard Duty Mid Wheel Drive Base <i>End Item Number EIPW40 (PRO™ Seat)</i>			\$
400PC291	K0848	Quickie Q300 M NPC No Power Option for SEDEO® PRO™ Seat Included in Base Pricing : Q300 M Base, VR-2 90amp Electronics for No Power Seat Functions, Six-Wheel Suspension, 12" Drive Wheels with Dual Density Inserts, 7" Flat Free Casters, ISO Occupied Tie-Down Brackets and 8amp Charger. Max Speed = 6mph, Weight Capacity = 300lbs., STFH = 16.5".	\$8,541.00
400PC292	K0856	Quickie Q300 M SPC Single Power Option for SEDEO® PRO™ Seat Included in Base Pricing : Q300 M Base, VR-2 90amp Electronics for No Power Seat Functions, Six-Wheel Suspension, 12" Drive Wheels with Dual Density Inserts, 7" Flat Free Casters, ISO Occupied Tie-Down Brackets and 8amp Charger. Max Speed = 6mph, Weight Capacity = 300lbs., STFH = 16.5".	\$8,541.00
400PC293	K0861	Quickie Q300 M MPC Tilt/Recline for SEDEO® PRO™ Seat Included in Base Pricing: Q300 M Base, VR-2 90amp Electronics for No Power Seat Functions, Six-Wheel Suspension, 12" Drive Wheels with Dual Density Inserts, 7" Flat Free Casters, ISO Occupied Tie-Down Brackets and 8amp Charger. Max Speed = 6mph, Weight Capacity = 300lbs., STFH = 16.5".	\$8,541.00
User Weight			\$
400WG23	–	Up to 300 lbs.	NC
Motor Package			\$
400PF99	–	4-pole 10 kph / 6 mph	NC
Tracking			\$
400MI01	K0108	SureTrac® Module & Motor Encoders <i>(Improves drive tracking)</i>	\$1,628.00
Drive Wheels			\$
400DW13	–	Drive Wheel, 12", Solid, Knobby, Black	NC
400DW58	–	Drive Wheel, 14", Solid, Knobby, Black	NC
Caster Wheels			\$
400CW59	–	Caster Wheels 7", Solid, Black	NC
Shroud Color			\$
400C164	–	Black	NC
400C165	–	Candy Apple Red	NC
400C166	–	Candy Blue	NC
400C167	–	Candy Purple	NC
400C176	–	Green Apple	NC
400C178	–	Pearl Pink	NC
400C182	–	Silver	NC
400C125	–	White	NC
400C170	–	American Flag	\$602.00

BASE			
OPTION	HCPC	DESCRIPTION	RETAIL
<b>Color Accents</b> <i>Note: Color Accents and Shroud Colors may not match.</i>			\$
400EZ20	–	Apple Green	NC
400EZ22	–	Black	NC
400EZ21	–	Blue	NC
400EZ23	–	Orange	NC
400EZ24	–	Red	NC
400EZ19	–	White	NC
400EZ25	–	Silver	NC
<b>Service Decals</b>			\$
400D10	–	Army	NC
400D11	–	Air Force	NC
400D13	–	Marines	NC
400D14	–	Navy	NC
400D15	–	Purple Heart	NC
<b>ISO Transit Tie Downs</b>			\$
400T050	–	ISO Transit Package	NC
<b>LED Lights</b>			\$
400LI04	–	LED Lights and Indicators	\$1,400.00
400LI11	–	LED Lights and Indicators <i>(Available with 4 Power Seat Functions)</i>	NC
400LI08	–	LED Fender Lights	\$566.00
400LI09	–	LED Fender Lights <i>(Available w/Multi-Power only)</i>	NC
400LI02	–	Omit LED Lights	NC
<b>Seat Heights</b>			\$
<b>Seat Height</b> <i>Measured from front of seat pan to floor with 0° frame angle. Not all seat heights are available with all seat depths and power seating. Please see online configurator for full availability.</i>			
400HT103	–	16.5"	NC
400HT55	–	17"	NC
400HT104	–	17.5"	NC
400HT56	–	18"	NC
400HT105	–	18.5"	NC
400HT57	–	19"	NC
<b>Batteries and Chargers</b>			\$
<b>Group 22 Battery</b>			
400AG35	E2361	GP22 / 50Ah Flat Top Pair	\$680.00
<b>Omit Batteries</b>			
400AG24	–	Battery Harnesses Only <i>(Omit Batteries)</i>	NC
<b>Chargers</b>			
400BJ30	–	10A Dual Mode (Compact)	\$110.00
400BJ19	–	8A Dual Mode (Compact)	NC

**POWERED SEATING**

OPTION	HCPC	DESCRIPTION	RETAIL
<b>Power Seating Options</b>			<b>\$</b>
<b>Seat Elevator</b>			
400PI07	E2298	Seat Elevator, Powered, 300 mm / 12"	\$3,791.00
400PI08	E2298	C-Me® Seat Elevator, Powered, 300 mm / 12" (C-Me speed up to 3 mph) (N/A with VR-2)	\$3,791.00
<b>Seat Tilt</b>			
400PA48	E1002	Posterior 50° Tilt	\$8,458.00
<b>Seat Recline</b>			
400PA37	E1004	150° Powered Recline w/ 4" Shear Reduction	\$8,458.00
<b>Seat Tilt/Recline</b>			
400PA41	E1007	Posterior 50° Tilt and 150° Recline Powered, w/ 4" Shear Reduction	\$13,709.00
<b>Power Recline Backrest Preset Home Angle</b>			
400QK1	–	90°	NC
400QK2	–	95° (Default Position)	NC
<b>Pre Set Seat Frame Angle (No Power Seating Options, Increases Seat to Floor Height)</b>			<b>\$</b>
400FA10	–	0° (Adds 0" to STFH)	NC
400FA3	–	3° (Adds 1" to STFH)	NC
<b>Backrest Frame Type</b>			<b>\$</b>
400BF16	–	Tool Angle Adjustable Back, 90°-120°	NC
400BF14	E1225	User Adjustable Manual Semi-Recline Back, 90°-130°, Right (Adjustment Lever Mounted on Opposite Side of Joystick)	\$682.00
400BF15	E1225	User Adjustable Manual Semi-Recline Back, 90°-130°, Left (Adjustment Lever Mounted on Opposite Side of Joystick)	\$682.00
<b>Backrest Frame Option</b>			<b>\$</b>
400BF13	–	Flip Down, Quick Release	\$147.00
<b>Back Cushion Type</b>			<b>\$</b>
400BT134	–	SEDEO® Back Cushion (Choose Seating in Section A)	NC
400BT138	–	JAY® Syncra™ (Choose Seating in Section B)	NC
400BT135	–	JAY® J3® (Choose Seating in Section C)	NC
400BT137	–	SEDEO® PRO™ Aftermarket Back Adapter (Height Adjustable Round Tubes for Traditional Mounting)	\$525.00
400BT133	–	OMIT (For personalized Mounting. No Headrest Mount)	NC

**POWERED SEATING**

OPTION	HPCP	DESCRIPTION	RETAIL
--------	------	-------------	--------

**A - SEDEO® Backrest Dimensions**

\$

**Back Width**

400BN28	–	400mm / 16"	NC
400BN29	–	460mm / 18"	NC
400BN30	–	500mm / 20"	NC
400BN31	–	560mm / 22"	NC

**Back Shell Height**

			Tool Angle Adjust.	150° Recline	Installed Back Height	
400B255	–	460mm / 18"	22"-23"	23"-25"		NC
400B256	–	560mm / 22"	24"-27"	26"-29"		NC
400B257	–	660mm / 26"	28"-30"	30"		NC

**Installed Back Height - (From Pan to Top of Back)**

400JR32	–	22"	NC
400JR33	–	23"	NC
400JR34	–	24"	NC
400JR35	–	25"	NC
400JR36	–	26"	NC
400JR37	–	27"	NC
400JR38	–	28"	NC
400JR39	–	29"	NC
400JR40	–	30"	NC

**POWERED SEATING**

OPTION	HCPC	DESCRIPTION	RETAIL
--------	------	-------------	--------

**B - JAY® Syncra™ Seating****B - JAY® Syncra™ Back**  P. 23 \$

400JP14	E2620	JAY® Syncra™ Back 16-20" Wide with 3" Contour Depth	\$1,138.00
400JP15	E2621	JAY® Syncra™ Back 22" Wide with 3" Contour Depth	\$1,255.00

**B - JAY® Syncra™ Back Width** \$

Back can be ordered a different width than seat pan. Armrest will be adjusted to back width ordered.

400JQ07	–	16" Wide (Adjustment range 16 to 17" Wide)*	NC
400JQ08	–	18" Wide (Adjustment range 18 to 19" Wide)*	NC
400JQ09	–	20" Wide (Adjustment range 20 to 21" Wide)*	NC
400JQ10	–	22" Wide (Adjustment range 22 to 23" Wide)	NC

\*Additional +1" of shell width adjustment is achievable. Requires purchase of 1" larger foam and upholstery separately.

**B - JAY® Syncra™ Back Shell Options and Height Ranges** \$

JAY® Syncra™ Back shells are mounted with a minimim 5.5" gap between the bottom of the shell to the seat pan to accommodate the mechanical shear. Back height can be adjusted in the field with-in the ranges shown based on the back frame type.

**JAY® Syncra™ Shell Height**

400JR42	–	16" Tall Shell (22" to 24" Back Height)	NC
400JR43	–	18" Tall Shell (24" to 26" Back Height)	NC
400JR44	–	20" Tall Shell (26" to 28" Back Height)	NC
400JR45	–	22" Tall Shell (28" to 30" Back Height)	NC

**JAY® Syncra™ Back Installed Back Height (From Pan to Top of Back)**

400JR50	–	22" (16" Shell Height)	NC
400JR51	–	23" (16" Shell Height)	NC
400JR52	–	24" (16" Shell Height)	NC
400JR53	–	24" (18" Shell Height)	NC
400JR54	–	25" (18" Shell Height)	NC
400JR55	–	26" (18" Shell Height)	NC
400JR56	–	26" (20" Shell Height)	NC
400JR57	–	27" (20" Shell Height)	NC
400JR58	–	28" (20" Shell Height)	NC
400JR67	–	28" (22" Shell Height)	NC
400JR68	–	29" (22" Shell Height)	NC
400JR69	–	30" (22" Shell Height)	NC

**B - JAY® Syncra™ Back Upholstery** \$

400BU96	–	Syncra™ Premium Leatherette	NC
400BU97	–	Syncra™ Stretch	NC

**POWERED SEATING**

OPTION	HCPC	DESCRIPTION	RETAIL
--------	------	-------------	--------

**C - JAY® J3® Back****C - JAY® J3® Back - Contour**

\$

400JP01	E2613	J3® PA Back for 16"-20" Wide	\$625.00
400JP02	E2614	J3® PA Back for 22" Wide	\$928.00
400JP11	E2615	J3® PL Back for 16"-20" Wide	\$729.00
400JP13	E2620	J3® PD Back for 16"-20" Wide (18" and 21" Shell Height Only)	\$875.00

**C - JAY® J3® Back Width**

\$

Back can be ordered a different width than seat pan. Armrest will be adjusted to back width ordered.

400JQ02	–	16"	NC
400JQ03	–	18"	NC
400JQ04	–	20"	NC
400JQ05	–	22"	NC

**C - JAY® J3® Back Shell Options and Height Ranges**

\$

JAY® J3® shells are mounted with a minimim 4" gap between the bottom of the shell to the seat pan to accommodate the mechanical shear. Back height can be adjusted in the field within the ranges shown.

JAY® J3® Shell Height			Tool Angle Adjust.	150° Recline	Installed Back Height	
400JR41	–	15" tall shell (Upper Thoracic Med) for 22" Wide	22"-23"	22"-23"		NC
400JR14	–	16.5" tall shell (Upper Thoracic Short)	21"-23"	22"-24"		NC
400JR15	–	18" tall shell (Upper Thoracic Med)	22"-24"	23"-25"		NC
400JR16	–	19.5" tall shell (Upper Thoracic Tall)	24"-26"	24"-26"		NC
400JR18	–	18" tall shell (Shoulder Height) for 22" wide	24"	24"		NC
400JR17	–	21" tall shell (Shoulder Height)	24"-26"	25"-28"		NC
400JR27	–	22.5" tall shell (Shoulder Height)	26"-28"	27"-30"		NC
400JR28	–	24" tall shell (Shoulder Height)	27"-29"	28"-30"		NC

**JAY® J3® Installed Back Height (From Pan to Top of Back)**

400JR29	–	21"	NC
400JR19	–	22"	NC
400JR20	–	23"	NC
400JR21	–	24"	NC
400JR22	–	25"	NC
400JR23	–	26"	NC
400JR24	–	27"	NC
400JR25	–	28"	NC
400JR30	–	29"	NC
400JR31	–	30"	NC



**POWERED SEATING**

OPTION	HCPC	DESCRIPTION	RETAIL
--------	------	-------------	--------

**C - JAY® Anterior Thoracic Support**

\$

*Classic-Structure Pull Down Harness (4 point strap, Only available with JAY® backrest)*

400K10	E0960	Medium (ATS8302)	\$177.00
400K11	E0960	Large (ATS8303)	\$177.00

**C - JAY® Lateral Thoracic Swing-Away Supports (Requires Pad, Upholstery and Mount)**

\$

**JAY® Lateral Thoracic Support Pads**

400JW35	E0956	Lateral Thoracic (L x H) 100 mm x 127 mm / 4" x 5" Pad - Right	\$147.00
400JW38	E0956	Lateral Thoracic (L x H) 100 mm x 127 mm / 4" x 5" Pad - Left	\$147.00
400JW36	E0956	Lateral Thoracic (L x H) 100 mm x 152 mm / 4" x 6" Pad - Right	\$147.00
400JW39	E0956	Lateral Thoracic (L x H) 100 mm x 52 mm / 4" x 6" Pad - Left	\$147.00
400JW37	E0956	Lateral Thoracic (L x H) 152 mm x 100 mm / 6" x 4" Pad - Right	\$147.00
400JW40	E0956	Lateral Thoracic (L x H) 152 mm x 100 mm / 6" x 4" Pad - Left	\$147.00

**JAY® Lateral Thoracic Support Pad Upholstery**

400NU01	–	Syncra™ Premium Leatherette	NC
400NU02	–	Syncra™ Stretch	NC

**JAY® Lateral Thoracic Swing-Away Mount**

400JW41	E1028	Lateral Thoracic Swing Away Bracket - Right	\$292.00
400JW42	E1028	Lateral Thoracic Swing Away Bracket - Left	\$292.00

**C - JAY® Syncra™ Fixed Lateral Support Accessory**

\$

**JAY® Fixed Lateral Support Accessory Hardware** (JAY® Fixed Lateral Support is height adjustable)

400JW33	E0956	Fixed Lateral Support Accessory (L x H) 90 mm x 140 mm / 3.5" x 8" - Right	\$147.00
400JW34	E0956	Fixed Lateral Support Accessory (L x H) 90 mm x 140 mm / 3.5" x 8" - Left	\$147.00

**POWERED SEATING**

OPTION	HCPC	DESCRIPTION	RETAIL
<b>Headrests (Requires Pad, Upholstery, &amp; Mount)</b>			<b>\$</b>
<b>Headrest Pad</b>			
400HE36	E0955	SEDEO® Pad Small with Cover (LxH) 240 x 150 mm / 10" x 6" <i>Can only be used with Multi Position Headrest Mount with quick-release and SEDEO® upholstery</i>	\$188.00
400HE38	E0955	Whitmyer® Plush Headrest Pad 203 mm / 8"	\$239.00
400HE39	E0955	Whitmyer® Plush Headrest Pad 254 mm / 10"	\$239.00
400HE44	E0955	Whitmyer® Plush Headrest Pad 356 mm / 14"	\$250.00
400HE46	E0955	Whitmyer® Adjust-A-Plush Headrest Pad Medium ( <i>Adjustable 7" to 16" Wide x 4" Tall</i> )	\$367.00
400HE48	–	OMIT Headrest Pad	NC
<b>Headrest Pad Upholstery</b>			
400NU10	–	SEDEO® Upholstery	NC
400NU04	–	Syncra™ Premium Leatherette	NC
400NU05	–	Syncra™ Stretch	NC
400NU11	–	Whitmyer® Lycra	NC
<b>Headrest Mount</b>			
400MH32	E1028	SEDEO® Multi-Position Headrest Mount with Quick Release ( <i>Only available with SEDEO® Pad</i> )	\$234.00
400MH33	E1028	Whitmyer® Linx Headrest Mount with Quick Release	\$192.00
400MH34	E1028	Whitmyer® Linx-2 Headrest Mount with Quick Release	\$234.00
400MH35	E1028	Whitmyer® AXYS Headrest Mount with Quick Release	\$123.00
400MH17	–	OMIT Headrest Mount	NC
<b>Push Handles</b>			<b>\$</b>
400PH27	–	Height Adjustable Push Handles	\$350.00
<b>Seat Frame Rails</b>			<b>\$</b>
400SN14	–	Seat Rail Short, for Effective Seat Depth 14" - 18"	NC
400SN15	–	Seat Rail Long, for Effective Seat Depth 17" - 22"	NC
<b>Seat Cushion Type</b>			<b>\$</b>
400ST81	–	JAY® Syncra™ (See Section D)	NC
400ST80	–	JAY® (See Section E)	NC
400ST75	–	Omit	NC

**POWERED SEATING**

OPTION	HCPC	DESCRIPTION	RETAIL
--------	------	-------------	--------

**Seat Size**

\$


**Seat Pan Width**

400R53	–	16"	NC
400R54	–	17"	NC
400R55	–	18"	NC
400R56	–	19"	NC
400R57	–	20"	NC
400R58	–	21" <i>(Not available with JAY® Syncra™ Cushions)</i>	NC
400R59	–	22"	NC

**Seat Pan Depth (Front of seat pan to front of back cushion – effective depth)**

400RF52	–	14"	NC
400RF53	–	15"	NC
400RF51	–	16"	NC
400RF45	–	17"	NC
400RF46	–	18"	NC
400RF47	–	19"	NC
400RF48	–	20"	NC
400RF49	–	21" <i>(Not available with JAY® Syncra™ Cushions)</i>	NC
400RF50	–	22"	NC

**POWERED SEATING**

OPTION	HCPC	DESCRIPTION	RETAIL
<b>D - JAY® Syncra™ Cushion</b>  P.23 (JAY Your Way modifications available through Customer Service (800) 333-4000)			\$
400CU89	E2622	JAY® Syncra™ Cushion featuring JAY Flow® Fluid with Cryo™ Technology (16" to 20" wide)	\$630.00
400CU90	E2623	JAY® Syncra™ Cushion featuring JAY Flow® Fluid with Cryo™ Technology (22" wide)	\$729.00

**JAY® Syncra™ Cushion Cover Upholstery**

400YR73	–	Syncra™ Premium Leatherette	NC
400YR74	–	Syncra™ Stretch	NC

**E - JAY® Seat Cushion**

<b>E - JAY® Seat Cushion</b>			\$
400CU59	E2607	JAY® Ion® (Sizes 16" to 21" Wide)	\$460.00
400CU60	E2608	JAY® Ion® (Size 22" Wide)	\$578.00
400CU61	E2607	JAY® Union® (Sizes 16" to 21" Wide)	\$520.00
400CU62	E2608	JAY® Union® (Size 22" Wide)	\$635.00
400CU64	E2622	JAY® Fusion® (Sizes 16" to 21" Wide)	\$514.00
400CU65	E2623	JAY® Fusion® (Size 22" Wide)	\$613.00

## POSITIONING SUPPORTS & ACCESSORIES

OPTION	HCPC	DESCRIPTION	RETAIL
--------	------	-------------	--------

### Knee and Thigh Swing-Away Support Pads

\$

#### Lateral Knee Support Pads and Hardware *(must pick pad and mount)*

400XY05	E0953	Lateral Knee Support Pad, Right (4" round)	\$205.00
400XY06	E0953	Lateral Knee Support Pad, Left (4" round)	\$205.00
400XX08	E1028	Lateral Swing-Away Bracket Knee - Right	\$268.00
400XX09	E1028	Lateral Swing-Away Bracket Knee - Left	\$268.00

#### Lateral Thigh Support Pads and Hardware *(must pick pad and mount)*

400KF22	E0953	Lateral Thigh Support Pad Short, Right (5" H x 5" L)	\$147.00
400KF23	E0953	Lateral Thigh Support Pad Short, Left (5" H x 5" L)	\$147.00
400KF24	E0953	Lateral Thigh Support Pad Long, Right (5" H x 7" L)	\$147.00
400KF25	E0953	Lateral Thigh Support Pad Long, Left (5" H x 7" L)	\$147.00
400KF26	E1028	Lateral Thigh Removable Mount - Right	\$292.00
400KF27	E1028	Lateral Thigh Removable Mount - Left	\$292.00

### JAY® Lateral Thigh Supports *(Must pick pad, upholstery, and mount)*

\$

#### JAY® Lateral Thigh Support Pads

400KF16	E0953	Lateral Thigh Support Pad Standard, Right (8.25" x 3.25")	\$147.00
400KF17	E0953	Lateral Thigh Support Pad Standard, Left (8.25" x 3.25")	\$147.00
400KF18	E0953	Lateral Thigh Support Pad Large, Right (12" x 3.25")	\$147.00
400KF19	E0953	Lateral Thigh Support Pad Large, Left (12" x 3.25")	\$147.00

#### JAY® Lateral Thigh Support Pad Upholstery

400NU07	–	Syncra™ Premium Leatherette	NC
400NU08	–	Syncra™ Stretch	NC

#### JAY® Lateral Thigh Removable Mount

400KF20	E1028	Lateral Thigh Removable Mount - Right	\$292.00
400KF21	E1028	Lateral Thigh Removable Mount - Left	\$292.00

### Armrest Structure

\$

400EG35	–	Reclining, Flip Back, Long <i>(Height Adjustable 9" to 15")</i>	NC
400EG41	–	Reclining, Flip Back, Short <i>(Best used with shorter seat depths) (Height Adjustable 9" to 15")</i>	NC
400EG36	–	Reclining, Flip Back with 2-point post locking arm <i>(Height Adjustable 11" to 15" x 0.625")</i>	\$292.00
400EG51	–	Reclining, Flip Back, Dual Link Armrest <i>(No Charge for Multi-Power) (Height Adjustable 8" to 15" including length and lateral adjustment)</i>	NC
400EG52	–	Reclining, Flip Back, Dual Link Armrest <i>(Height Adjustable 8" to 15" including length and lateral adjustment)</i>	\$352.00
400EG32	–	Single Post, Flip Back <i>(N/A with thigh support) (Height Adjustable 10" to 15")</i>	NC

## POSITIONING SUPPORTS & ACCESSORIES

OPTION	HCPC	DESCRIPTION	RETAIL
<b>Arm Pads</b>			\$
<b>SEDEO® Armrest Pad</b>			
400AB43	–	300 mm / 12", Integral Foam, Right	NC
400AE43	–	300 mm / 12", Integral Foam, Left	NC
400AB44	–	400 mm / 16", Integral Foam, Right	NC
400AE44	–	400 mm / 16", Integral Foam, Left	NC
<b>Comfort Arm Pad (Foam)</b>			
400AB46	–	2" Wide Right	\$88.00
400AE46	–	2" Wide Left	\$88.00
<b>Comfort Arm Pad (Gel)</b>			
400AB48	–	2" Wide Right	\$175.00
400AE48	–	2" Wide Left	\$175.00
<b>Ottobock® Arm Troughs</b>			
400AE06	–	Ottobock Arm Trough, Med (12"), Left	\$136.00
400AB06	–	Ottobock Arm Trough, Med (12"), Right	\$136.00
400AE07	–	Ottobock Arm Trough, Large (14"), Left	\$136.00
400AB07	–	Ottobock Arm Trough, Large (14"), Right	\$136.00
400OL01	–	Ottobock Hand Pad, Med (7"), Left	\$59.00
400OR01	–	Ottobock Hand Pad, Med (7"), Right	\$59.00
400OL02	–	Ottobock Hand Pad, Large (9"), Left	\$59.00
400OR02	–	Ottobock Hand Pad, Large (9"), Right	\$59.00
400AE78	–	Ottobock 1 Piece Arm Trough (18"), Left	\$190.00
400AB78	–	Ottobock 1 Piece Arm Trough (18"), Right	\$190.00
<b>Side Guards (Pair)</b>			\$
400SG44	E0953	Side Guards Integral Foam (11"L x 5.5"H) (N/A with Reclining Armrests)	\$239.00
<b>Fixed Centermount Legrest</b>			\$
400H136	–	Angle Adjustable Centermount Legrest	\$525.00
400H184	–	Fixed Centermount Legrest, Short (Includes Calf Pads) (11.5" to 14.5" Leg Length)	NC
400H185	–	Fixed Centermount Legrest, Long (Includes Calf Pads) (13.5" to 18.5" Leg Length)	NC
<b>Power Centermount Legrest</b>			\$
400H109	E1012	Power Centermount Legrest, 90° - 0° Angle, 7.5" Extension (Powered Articulation) (3" to 17.5" Leg Length)	\$3,791.00

## POSITIONING SUPPORTS & ACCESSORIES

OPTION	HCPC	DESCRIPTION	RETAIL
<b>Centermount Legrest Accessories</b>			<b>\$</b>
<b>Power Centermount Footplates</b>			
400F127	K0040	Dual, Height, Width and Angle Adjustable, Standard (14"W x 10"D)	\$197.00
400F128	K0040	Dual, Height, Width and Angle Adjustable, Large (16"W x 12"D)	\$197.00
<b>Footplate Accessories (Available with Power Centermounts)</b>			
400DI68	K0108	Extra Large Centermount Footplate (Single Footplate Overlay 16"W x 12"D)	\$199.00
400DI69	K0108	Footplate Connector Link (Attaches footplates together)	\$97.00
400DI57	K0108	Gel Footpads (Pair, LH and RH)	\$403.00
<b>Angle Adjustable / Fixed Centermount Footplates</b>			
400F45	–	Single/Dual Footplate	NC
<b>Power Centermount Calf Pads</b>			
400DI34	–	Calf Pads, Pair, Standard Integral Foam	NC
400DI35	–	Calf Pads, Pair, Padded (N/A w/ std. footplate)	\$408.00
<b>Angle Adjustable Centermount Calf Pads</b>			
400DI49	–	Calf Pads, Pair, Standard Integral Foam	NC
400DI50	–	Extra Large Single Calf Pad	\$175.00
<b>SEDEO® PRO™ Swing-Away Legrest (Pair) (Footplates, calf supports &amp; options must be selected separately.)</b>			<b>\$</b>
400H177	–	Legrests, Swing-Away, 70°, SEDEO® PRO™ (14" to 21" Leg Length)	NC
400H178	E0990	Legrests, Manual Elevating, Swing-Away, SEDEO® PRO™ (Includes Padded Calf Pads) (14.5" to 21.5" Leg Length)	\$408.00
400H179	E1010	Legrests, Power Elevating, Swing-Away, SEDEO® PRO™ (Includes Padded Calf Pads) (15.5" to 22.5" Leg Length)	\$2,508.00
400HI76	–	Omit Legrests	NC
<b>Swing-Away Legrest Footplates</b>			
400F369	K0040	Angle Adjustable Flip-Up Footplates	\$197.00
<b>Swing-Away Legrest Calf Supports</b>			
400DI42	–	Calf Support, Depth Adjustable, Padded (6.5" to 8" Wide, depending on chair width, x 9.5" Tall)	\$460.00
<b>Swing-Away Legrest Options</b>			
400DI44	E0951	Heel Loops	\$58.00
400KG4	–	Knee Pads, Integral Foam (2.5" Wide x 4.5" Tall)	\$234.00
<b>SEDEO® Lower Extremity Swing-Away Support</b>			
400VD01	E1020	Lower Extremity Support, Padded, Swing-Away, SEDEO®, Right	\$460.00
400VD02	E1020	Lower Extremity Support, Padded, Swing-Away, SEDEO®, Left	\$460.00
<b>Pelvic Positioning Belts</b>			
400A837	–	Positioning Belt, Auto Style Buckle, 50 mm 1600 mm / 2"	NC
400A839	–	Positioning Belt, Aircraft Buckle, 50 mm x 1300 mm / 2"	NC
400A840	E0978	Positioning Belt, Aircraft Buckle, Padded 50 mm x 1300 mm / 2"	\$88.00
400A845	K0108	Bodypoint – Evoflex Pelvic Stabilizer Belt	\$203.00
400A846	K0108	Bodypoint – Evoflex Pelvic Stabilizer Belt with Extension	\$224.00

**POSITIONING SUPPORTS & ACCESSORIES**

OPTION	HCPC	DESCRIPTION	RETAIL
<b>Accessories</b>			\$
<b>Ventilator Option</b>			
400VT12	E1029	Vent Tray Fixed <i>(Pulmonetic LTV Models)</i>	\$542.00
<b>O2 Tank Option</b>			
400A718	E2208	O2 Tank Holder Mounted to Backrest <i>(D and E Styles)</i>	\$379.00
<b>Wheelchair Tray Table</b>			
4007A09	E0950	Tray, Swing-Away	\$408.00
<b>Medial Thigh Support</b>			
4008A80	E0957	Medial Thigh Support	\$197.00
4008A81	E1028	Pommel Swing-Away Hardware	\$292.00
<b>Backpack</b>			
400A1	–	Black Utility	\$63.00
<b>Misc. Accessories</b>			
4008A59	–	Transfer Bar <i>(Pair)</i>	\$408.00
4008A52	–	Ram Mount Phone	\$100.00
4008A53	–	Ram Mount Tablet	\$408.00
4008A54	–	Ram Mount Cup Holder	\$100.00
4008A58	–	Rear View Mirror	\$100.00
400A611	–	Crutch Holder	\$147.00
4008A73	–	Bag for Armrest	\$100.00
4008A75	–	Reflectors <i>(Backrest shroud mounted)</i>	\$100.00
4009A10	–	Utility Hooks	\$60.00



**JOYSTICK / ELECTRONICS**

VR-2 Joystick				\$
400J127	–	VR-2 Joystick		NC
R-net Joystick (Remote)				\$
400J121	–	Standard LED Joystick (w/o Screen Display)		NC
400J116	–	Color Joystick (2.3" Color LCD Screen Display, CJSM1)		NC
400J118	–	High Resolution Color Joystick, (CJSM2+BT) 3.5" Color LCD Display, Paddle Switches, Programmable Shortcut Keys, ICONs, Stereo Jack, IR and dual (IOS/Android) Bluetooth control		\$1,230.00
400J119	–	Omit Remote Control (Required with arm mounted specialty controls)		NC
Joystick Mounting				\$
400JM34	–	Fixed on Armrest		NC
400JM35	E1028	Parallel Swing-Away		\$345.00
400JM36	E1028	Link-It Mid Line Mount on Armrest (Swing-Away)		\$991.00
400JM49	–	Attendant (Available with LED or CJSM1 only. Mounted to Push Handle)		NC
Joystick Mount (Location)				\$
400HM16	–	Right Hand		NC
400HM17	–	Left Hand		NC
Display Language Selection R-net				\$
400L1	–	English		NC
400L3	–	French		NC
400L7	–	Spanish		NC
Joystick Handle (Optional)				\$
400JH13	E2323	Ball Handle		\$147.00
400JH15	E2323	T-Handle		\$147.00
400JH24	E2323	Bodypoint – Rubber Dome Joystick Handle		\$191.00
400JH25	E2323	Bodypoint – U-Shaped Joystick Handle		\$191.00
400JH26	E2323	Bodypoint – Grooved Mushroom Joystick Handle		\$191.00
Electronic Programmings				\$
400PR13	–	R-net PC Wireless Programmer		\$613.00
R-net Power Modules				\$
400ER12	–	Power Module, VR-2 90A, Non-Expandable		NC
400ER22	–	Power Module, R-net, 90A, Non-Expandable (Only available with Single Power)		NC
400ER13	–	Power Module, R-net, 90A, Expandable (Required for Specialty Controls or 3+ Actuators)		\$1,335.00
400EX11	E2377	Expandable 90A Controller - R-net		\$706.00
400EX12	E2313	Harness for 90A Expandable Controller		\$629.00

## JOYSTICK / ELECTRONICS

OPTION	HCPC	DESCRIPTION	RETAIL
--------	------	-------------	--------

## Seating Control

\$

## Powered Seating Control

400E040	–	Omit Thru-Drive <i>(Requires Switch Control)</i>	NC
400E037	E2310	Thru-drive Control for 1 Actuator	\$2,240.00
400E038	E2311	Thru-drive Control for 2+ Actuators	\$4,055.00

Switch Control *(Available with Omit Thru-Drive only) (1 Actuator for Tilt or Elevate only)*

400E033	–	Dual Toggle for 1 Actuator	NC
400E034	–	2.5" Single Button Switch for 1 Actuator <i>(Button switches are not mounted)</i>	NC
400E041	–	Ctrl+5 Switch Box for 2 Actuators or more	NC

Additional Power Seating Control *(Available with Thru-Drive only)*

400QG11	–	Ctrl+5 Switch Box with Free Assignable Functions	\$1,459.00
400QG12	–	Ctrl+5 Switch Box with Free Assignable Functions <i>(Multi-power only)</i>	NC

## Dual Toggle Mounting Location

400TN1	–	Toggle Mount, Right	NC
400TN2	–	Toggle Mount, Left	NC

Ctrl+5 Mounting Location *(Will swing away if mounted on the same side as the joystick)*

400EY19	–	Right Armrest	NC
400EY20	–	Left Armrest	NC
400EY21	–	Back Cane, Right	\$175.00
400EY24	–	Back Cane, Left	\$175.00

## Ctrl+5 Switch Type

400EY22	–	Push Buttons	NC
400EY23	K0108	Toggle Switches	\$350.00

## Attendant Controls

\$

4000A05	E2331	Dual Control Module for Attendant	\$1,517.00
4000A06	E2331	R-net Color LCD (CJSM1), Control Attendant Only	\$1,517.00

## Attendant Mounting Location

\$

400DN5	–	Right Back Cane	NC
400DN6	–	Left Back Cane	NC

**JOYSTICK / ELECTRONICS**

OPTION	HCPC	DESCRIPTION	RETAIL
--------	------	-------------	--------

**R-net Programming**

\$

**Assignable Buttons**

*Assignable Button feature allows for personalization of joystick buttons and/or Ctrl+5 Switches allowing access to various wheelchair and seating functions. When enabled, chair will be pre-programmed with seating functions assigned to buttons on the joystick. Assignments can be changed via PC Dongle.*

400PM12	–	Include Assignable Buttons	NC
---------	---	----------------------------	----

**Power Centermount Footplate Extension Option**

400IE03	K0108	Include 7.5" Powered Footplate Extension for Transfer Assist <i>(Electronics programmed to allow footplates to be extended with or without legrest being raised.) Only Available with Powered Articulation</i>	\$1,459.00
---------	-------	--	------------

**R-net Omni2 Options** *For Expandable Controls, choose all that apply.*

\$

400ON14	–	R-net Omni2 Only Input Control Module and 3.5" LCD Display w/ Built-In Infrared and Bluetooth® Choose Mount Below	\$2,072.00
400ON15	–	R-net Omni2 Bundled Input Control Module and 3.5" LCD Display w/ Built-In Infrared and Bluetooth® Bundled Omni2 Available w/ Switch-It Input Devices	NC

**Omni2 Mount** *If used w/ Standard Joystick, it must be mounted opposite side.*

\$

400DS14	E1028	Link-It with Parallel Swing-Away Omni2 Mount w/Rear Mounted Interface, Right	\$578.00
400DS15	E1028	Link-It with Parallel Swing-Away Omni2 Mount w/Rear Mounted Interface, Left	\$578.00

## SPECIALTY INPUT DEVICES

OPTION	HCPC	DESCRIPTION	RETAIL
--------	------	-------------	--------

Hand Control Packages *Requires Standard Joystick Omit / Only one hand control device can be ordered.*

\$

## Proportional Input Devices

400EU14	E2312	Switch-It MicroGuide	\$3,844.00
400EU17	E2328	Switch-It VersaGuide	\$2,118.00
400EU18	E2328	Switch-It VersaGuide EZ	\$2,502.00

Mounting Position *(Required)*

400EM04	–	Link-It to the Backrest <i>(Not Available w/ Omit Back Cushion Type)</i>	\$1,109.00
400EM05	–	Link-It to the Fixed Joystick Mount	\$345.00
400EM06	E1028	Link-It to the Parallel Swing-Away Joystick Mount	\$578.00
400EM07	E1028	Link-It to the Midline Swing-Away	\$1,225.00
400EM08	–	Omit Mount	NC

Mounting Platforms *(Optional)* *Not available w/ Link-It to Backrest*

400MG16	E0950	SunDisk Hand Tray <i>(Only available w/ MicroSeries Joysticks)</i>	\$345.00
400MG15	E0950	Bullet Hand Tray	\$345.00

Mounting Location *(Required)*

400IM09	–	Right	NC
400IM10	–	Left	NC

## Switch Options

–	–	See Switch Selections <i>(Maximum 2)</i>	–
---	---	--	---

Head Control Packages *(Select headrest mount on next page)*

\$

*Only one head control device can be ordered.*

## Proportional Input Devices

400EU25	E2328	Switch-It DualPro® Proportional Head Array - Facial Pads	\$6,668.00
400EU26	E2328	Switch-It DualPro® Proportional Head Array - Spot Pads	\$6,668.00
400EU51	E2328	Switch-It Vigo Head Drive	\$5,648.00

## Switched Input Devices

400EU28	E2330	Switch-It 3-Switch Head Array - Short Curved Wings	\$5,127.00
400EU30	E2330	Switch-It 3-Switch Head Array - Long Curved Wings	\$5,127.00

## Switch Options

–	–	See Switch Selections <i>(Maximum 2)</i>	–
---	---	--	---

## SPECIALTY INPUT DEVICES

OPTION	HCPC	DESCRIPTION	RETAIL
<b>Sip 'N Puff</b>			<b>\$</b>
400ID73	E2330	Switch-It Sip 'N Puff Combo Head Array with Link-It Hardware <i>(Requires headrest mount)</i>	\$5,827.00
400ID74	K0108	Switch-It OptiStop with Sip 'N Puff	\$2,270.00
<b>Headrest Mounts <i>(Applies to Head/Sip 'N Puff control packages)</i></b>			<b>\$</b>
400IJ13	E1028	Whitmyer® Linx Headrest Mount with Quick Release	\$192.00
400IJ14	E1028	Whitmyer® Linx-2 Headrest Mount with Quick Release	\$234.00
400IJ15	E1028	Whitmyer® AXYS Headrest Mount with Quick Release	\$123.00
<b>Chin Control Packages</b>			<b>\$</b>
<b>Proportional Input Devices</b>			
400EU34	E2312	Switch-It MicroGuide <i>(Switches mounted to the headrest only.)</i>	\$3,844.00
400EU36	E2328	Switch-It VersaGuide	\$2,118.00
400EU37	E2328	Switch-It VersaGuide EZ	\$2,502.00
<b>Mounting Position</b>			
400EM09	E1028	Link-It To Chin Harness, Small (150mm / 6")	\$1,459.00
400EM10	E1028	Link-It To Chin Harness, Large (220mm / 8")	\$1,459.00
400EM11	E1028	Link-It To Headrest, Swing-Away	\$1,459.00
400EM16	–	Omit Mount	NC
<b>Input Device Mounting Location</b>			
400IM13	–	Right	NC
400IM14	–	Left	NC
<b>Switch Options</b>			
–	–	See Switch Selections <i>(Minimum 1 for the Power Chin Boom, Maximum 3)</i>	–
<b>Safety Devices</b>			<b>\$</b>
400SA06	–	Switch-It Remote Stop Switch - XLR Connector	\$1,091.00
<b>Switched Driving Packages</b>			<b>\$</b>
400SW44	E2328	Switch-It™ Cool Cube with DB9 connector for proximity/proportional switch driving. <i>(Pro Spot proportional switches are required if proportional driving is desired.) (For non-proportional driving, single switches can be used.)</i>	\$4,048.00

## SPECIALTY INPUT DEVICES

### Switches

Single switches can be programmed to activate any function of the wheelchair including: On/Off, Mode, Profile, Speeds, Seating, Memory Positions, Horn, Lights & Indicators, IR functions, Bluetooth mouse clicks, Environmental Controls when plugged into assignable port.

Switches can connect via: Joysticks (Standard, Micro series, Versa series) Omni2, SJX6 Hub, head controls

#### Switch ordering instructions:

1. Select switch type and quantity in Section "A" using columns below. (Max 6 switches. See limitations below.)
2. Select switch mounting position from Section "B" using corresponding switch column.
3. Select switch mounting location from Section "C" using corresponding switch column.

#### Section A – Switch Selections

#### Switch / Quantity

Single Function Switches - Mechanical Switches	Switch 1	Switch 2	Switch 3	Switch 4	Switch 5	Switch 6	\$	
2.5" Single Switch - Black							\$227.00	
2.5" Single Switch - Blue							\$227.00	
2.5" Single Switch - Green							\$227.00	
2.5" Single Switch - Red							\$227.00	
2.5" Single Switch - Yellow							\$227.00	
Egg Switch - Black							\$129.00	
Egg Switch - Blue							\$129.00	
Egg Switch - Green							\$129.00	
Egg Switch - Red							\$129.00	
Egg Switch - Yellow							\$129.00	
MicroLite <i>(Includes color labels)</i>							\$192.00	
Mini Button 1 - Blue <i>(Velcro)</i>							\$123.00	
Mini Button 1 - Green <i>(Velcro)</i>							\$123.00	
Mini Button 1 - Red <i>(Velcro)</i>							\$123.00	
1" Single Switch - Black							\$321.00	
1" Single Switch - Blue							\$321.00	
1" Single Switch - Green							\$321.00	
1" Single Switch - Orange							\$321.00	
1" Single Switch - Red							\$321.00	
1" Single Switch - Yellow							\$321.00	
<b>Electronic Switches</b>								
Flex Switch (Headrest mount only)							\$250.00	
<b>ProSpot - Proportional Switches</b>								
ProSpot Proportional Switch - Red							\$554.00	
ProSpot Proportional Switch - Green							\$554.00	
ProSpot Proportional Switch - Blue							\$554.00	
ProSpot Proportional Switch - Yellow							\$554.00	
ProSpot Proportional Switch - Orange							\$554.00	
<b>Section B – Switch Mounting Position</b>								
Link-It to the Backrest <i>(Up to 1 per side)</i>							\$759.00	
Link-It to the Headrest - Gooseneck & Rigid <i>(Up to 2 per side)</i>							\$759.00	
Link-It to the Fixed Joystick Mount <i>(Up to 2 per side)</i>							\$578.00	
Link-It to the Parallel Swing-Away Joystick Mount <i>(Up to 2 per side)</i>							\$578.00	
Link-It to the Seat Rail <i>(Up to 2 per side)</i> <i>(Not avail w/knee &amp; thigh supports)</i>							\$460.00	
Omit Mount <i>(includes Velcro)</i>							NC	
<b>Section C – Switch Mounting Location</b>								
Right side of chair							NC	
Left side of chair							NC	
<b>Joystick Integrated Switches (Pair)</b>								
400J003	–	Proximity Switches on Flex Mount, Pair <i>(Used with VersaGuide/VersaGuide EZ)</i>						\$1,161.00

## JAY® SYNCRA™ SEATING MEASURING GUIDE

### JAY® SYNCRA™ BACK



<b>Backrest Width</b>	16"	18"	20"	22"
<b>Max User Trunk Width</b>	13.5"	15.5"	17.5"	19.5"

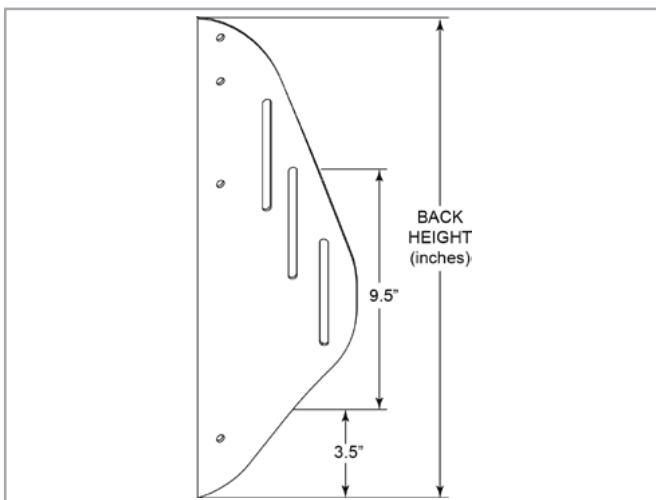
#### JAY® Swing-Away Lateral Thoracic Adjustment Range

Syncra Back Width	Width Range	Height range from bottom of shell to seat pan
16"	10" to 24"	12" to 19.5"
18"	12" to 26"	12.5" to 21.5"
20"	14" to 28"	12.5" to 22"
22"	16" to 30"	13.5" to 23"

#### Syncra™ Fixed Lateral Support Accessory Range

Syncra Back Width	Width Range	Height range from bottom of shell to seat pan	Contour Depth Range
16"	16.4" to 16.8"	6" to 8"	3" to 5"
18"	18.4" to 18.8"	6" to 8"	3" to 5"
20"	20.4" to 20.8"	6" to 8"	3" to 5"
22"	22.4" to 22.8"	6" to 8"	3" to 5"

#### Syncra™ Back Shell Height Diagram



### JAY® SYNCRA™ CUSHION



#### JAY® Lateral Thigh Support Adjustment Range

Syncra Cushion Width	Width Range
16"	8.5" to 16.0"
17"	9.5" to 17.0"
18"	10.5" to 18.0"
19"	11.5" to 19.0"
20"	12.5" to 20.0"
22"	14.5" to 22.0"



Q300 M with SEDEO® PRO™

\$

Base Price

Total of additional equipment

Packaging and transport

Total Price

Signature