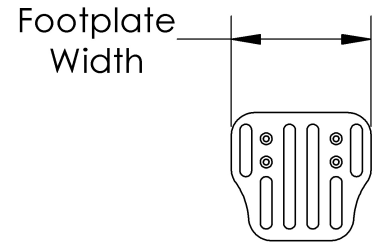
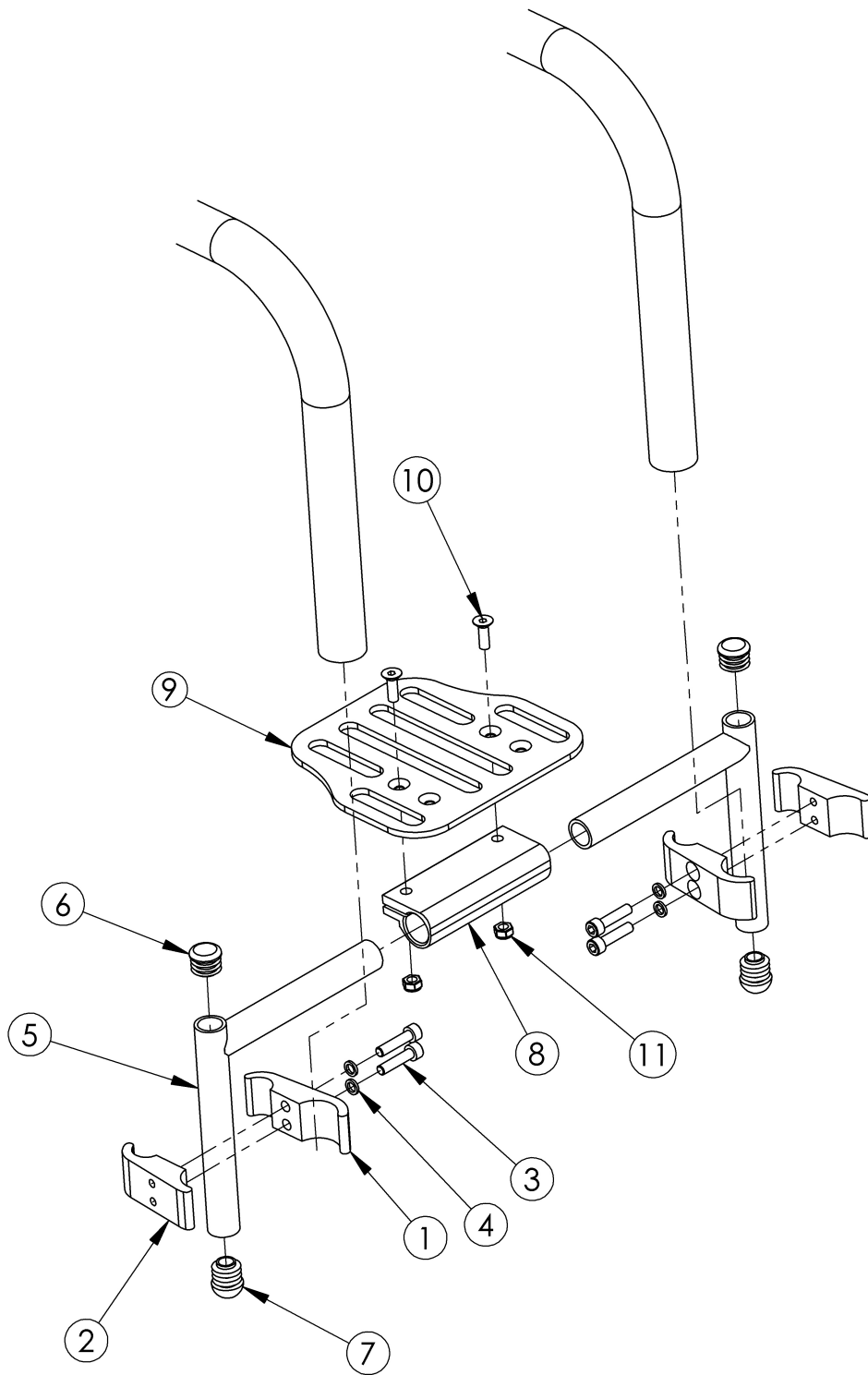
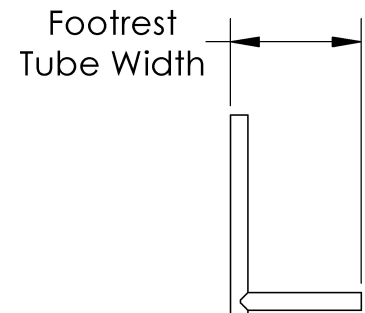


# Clik High Mount Angle Adjustable Footrest



Part No.	Width
002436	4.0"
000225	6.0"
001322	7.0"
000226	8.0"
001323	9.0"
000227	10.0"
001319	12.0"



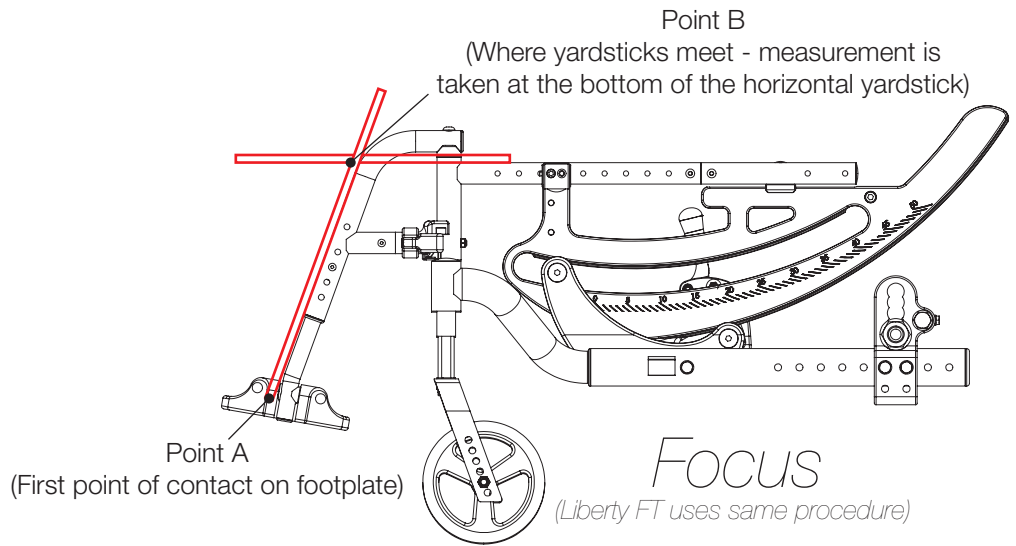
Part No.	Width
002778	3.8"
002779	4.8"
002780	5.8"
002781	6.8"
002782	7.8"
002783	8.8"
002784	9.8"

Item Number	Part Number	Description	Quantity
1 - 4, 5a, 6 - 8, 9a, 10, 11	502581	Footrest Assembly High Mount Angle Adjustable 8" Wide Klik	1
1 - 4, 5a, 6 - 8, 9b, 10, 11	502582	Footrest Assembly High Mount Angle Adjustable 9" Wide Klik	1
1 - 4, 5b, 6 - 8, 9c, 10, 11	502583	Footrest Assembly High Mount Angle Adjustable 10" Wide Klik	1
1 - 4, 5b, 6 - 8, 9d, 10, 11	502584	Footrest Assembly High Mount Angle Adjustable 11" Wide / 8" Offset Klik	1
1 - 4, 5c, 6 - 8, 9e, 10, 11	502585	Footrest Assembly High Mount Angle Adjustable 12" Wide Klik	1
1 - 4, 5b, 6 - 8, 9e, 10, 11	502586	Footrest Assembly High Mount Angle Adjustable 9" Wide Offset Klik	1
1 - 4, 5c, 6 - 8, 9f, 10, 11	502587	Footrest Assembly High Mount Angle Adjustable 13" Wide / 10" Offset Klik	1
1 - 4, 5c, 6 - 8, 9g, 10, 11	502588	Footrest Assembly High Mount Angle Adjustable 11" Offset Klik	1
1 - 4, 5d, 6 - 8, 9f, 10, 11	503311	Footrest Assembly High Mount Angle Adjustable 14" Wide Klik	1
1 - 4, 5d, 6 - 8, 9g, 10, 11	502589	Footrest Assembly High Mount Angle Adjustable 15" Wide / 12", 13" Offset Klik	1
1 - 4, 5e, 6 - 8, 9g, 10, 11	502590	Footrest Assembly High Mount Angle Adjustable 16" Wide / 14", 15" Offset Klik	1
1 - 4, 5f, 6 - 8, 9g, 10, 11	502591	Footrest Assembly High Mount Angle Adjustable 17", 18" Wide / 16", 17" Offset Klik	1
1 - 4, 5g, 6 - 8, 9g, 10, 11	503096	Footrest Assembly High Mount Angle Adjustable 18" Wide Offset Klik	1
1 - 4	502580	Footrest Clamp Assembly High Mount Angle Adjustable One Side Klik	1
1	002831	Wheel Lock Clamp 1.125 to .75 C'Bored Long Klik	2
2	002832	Wheel Lock Clamp 1.125 to .75 Threaded Long Klik	2
3	100780	M6 x 25 SHCS ZC	4
4	101835	M6 Lock Washer Blk Zn	4
5a	002778	Footrest Extension Welded 3.8"	2
5b	002779	Footrest Extension Welded 4.8"	2
5c	002780	Footrest Extension Welded 5.8"	2
5d	002781	Footrest Extension Welded 6.8"	2
5e	002782	Footrest Extension Welded 7.8"	2
5f	002783	Footrest Extension Welded 8.8"	2
5g	002784	Footrest Extension Welded 9.8"	2
6	100638	Tube End Plug 3/4"	2
7	002834	Dome Top Tube End, 3/4"	2

Item Number	Part Number	Description	Quantity
8	100789	Footrest Adjustable Clamp 5"	1
9a	002436	Footrest Platform Angle Adjustable 4" Rigid	1
9b	000225	Footrest Platform Angle Adjustable 6"	1
9c	001322	Footrest Platform Angle Adjustable 7"	1
9d	000226	Footrest Platform Angle Adjustable 8"	1
9e	001323	Footrest Platform Angle Adjustable 9"	1
9f	000227	Footrest Platform Angle Adjustable 10"	1
9g	001319	Footrest Platform Angle Adjustable 12"	1
10	100662	M6 x 25 FSHCS BLK ZC	2
11	100658	M6 Nylock Nut Blk Zn	2

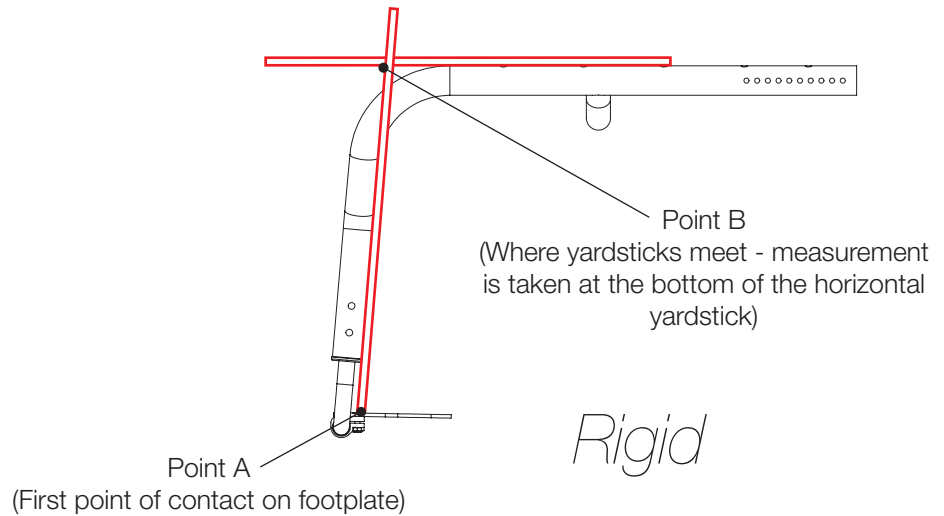
Distance between Point A and Point B = Footplate Length

**NOTE:** The yardstick on the top plane of the seat frame must lie flat against frame. The yardstick going from the footplate to the second yardstick must be square against the hanger tube.



Distance between Point A and Point B = Footplate Length

**NOTE:** The yardstick on the top plane of the seat frame must lie flat against frame. The yardstick going from the footplate to the second yardstick must be square against the front tube.



Distance between Point A and Point B = Footplate Length

**NOTE:** The yardstick on the top plane of the hanger must lie flat against hanger. The yardstick going from the footplate to the second yardstick must be square against the hanger tube.

