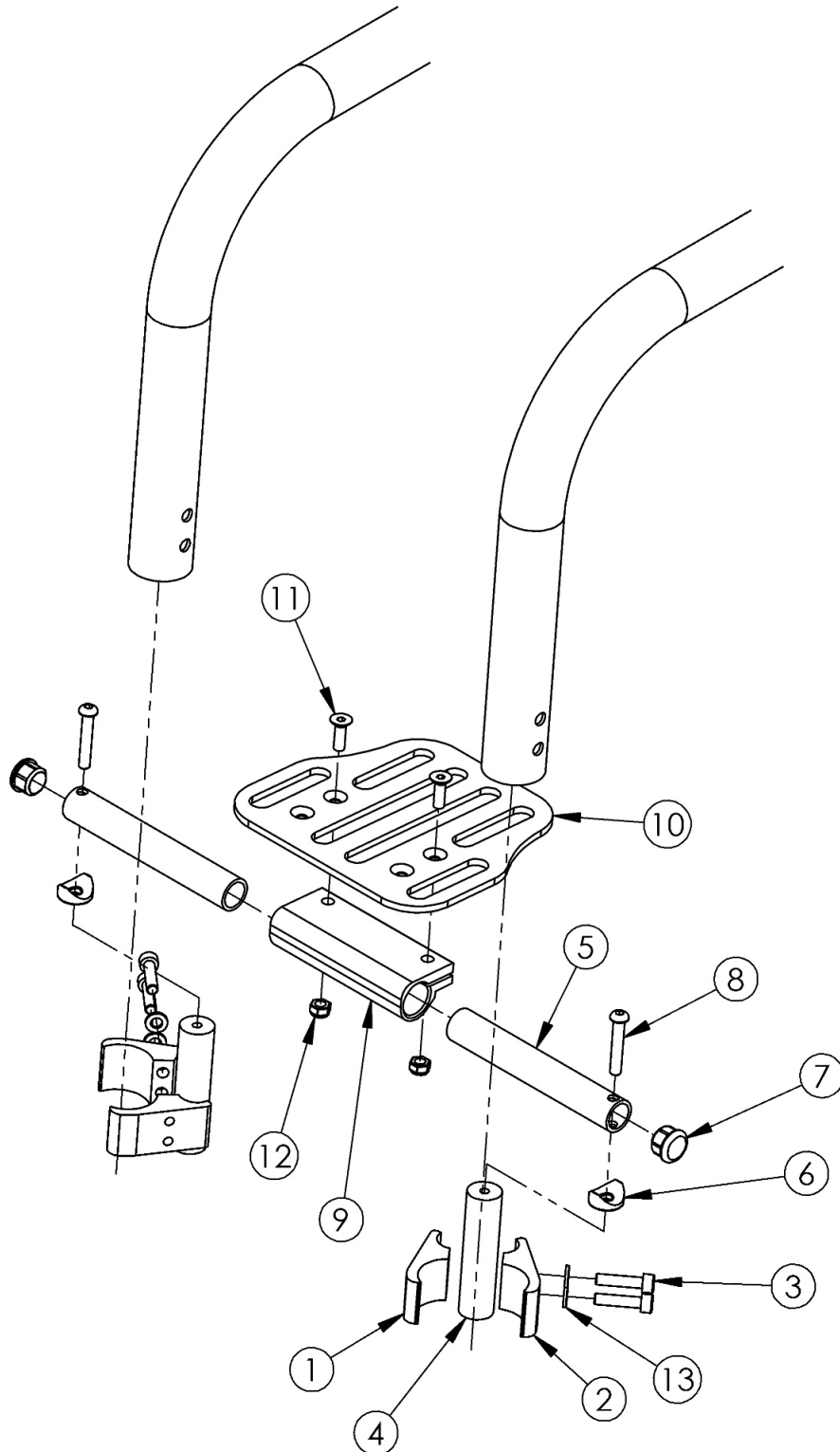


(Discontinued) Rigid High Mount Angle Adjustable Footrest 10" - 14" Wide

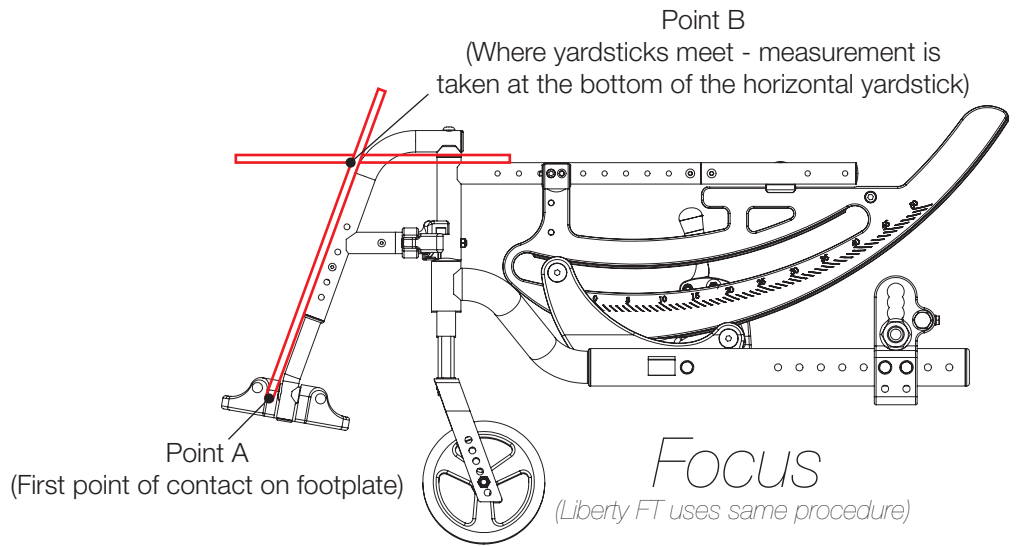


Footrest assemblies based on straight frame Used on serial numbers prior to TS010953, TSHD003973, TSTR004735, RGXP008523, RGX0020821, and RG0018443

| Item Number | Part Number | Description | Quantity |
|--------------------------|-------------|---|----------|
| 1-4, 5a, 6-9, 10a, 11-13 | 501004 | Footrest Assembly Angle Adj High Mount 10 Rigid | 1 |
| 1-4, 5b, 6-9, 10a, 11-13 | 500764 | Footrest Assembly Angle Adj High Mount 11 Rigid | 1 |
| 1-4, 5c, 6-9, 10b, 11-13 | 500765 | Footrest Assembly Angle Adj High Mount 12 Rigid | 1 |
| 1-4, 5d, 6-9, 10c, 11-13 | 500766 | Footrest Assembly Angle Adj High Mount 13 Rigid | 1 |
| 1-4, 5e, 6-9, 10d, 11-13 | 503665 | Footrest Assembly Angle Adj High Mount 14 Rigid | 1 |
| 1 | 000376 | Clamp Top 1.375" Rigid | 2 |
| 2 | 000377 | Clamp Bottom 1.375" Rigid | 2 |
| 3 | 100780 | M6 x 25 SHCS ZC | 4 |
| 4 | 000600 | Rigid Footplate Riser 3" | 2 |
| 5a | 001422 | Footrest Tube 2.8" Rigid | 2 |
| 5b | 001423 | Footrest Tube 3.3" Rigid | 2 |
| 5c | 000688 | Footrest Tube 3.8" Rigid | 2 |
| 5d | 000689 | Footrest Tube 4.3" Rigid | 2 |
| 5e | 000690 | Footrest Tube 4.8" Rigid | 2 |
| 6 | 000053 | Saddle 3/4" | 2 |
| 7 | 100638 | Tube End Plug 3/4" | 2 |
| 8 | 100797 | M6 x 40 BHCS BLK ZC | 2 |
| 9 | 100789 | Footrest Adjustable Clamp 5" | 1 |
| 10a | 000225 | Footrest Platform Angle Adjustable 6" | 1 |
| 10b | 001322 | Footrest Platform Angle Adjustable 7" | 1 |
| 10c | 000226 | Footrest Platform Angle Adjustable 8" | 1 |
| 10d | 001323 | Footrest Platform Angle Adjustable 9" | 1 |
| 11 | 100662 | M6 x 25 FSHCS BLK ZC | 2 |
| 12 | 100658 | M6 Nylock Nut Blk Zn | 2 |
| 13 | 101835 | M6 Lock Washer Blk Zn | 4 |

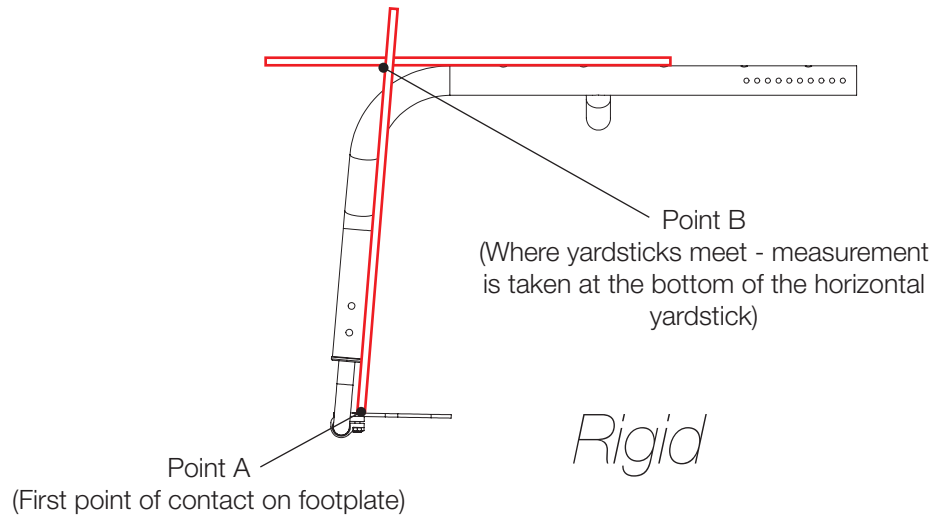
Distance between Point A and Point B = Footplate Length

NOTE: The yardstick on the top plane of the seat frame must lie flat against frame. The yardstick going from the footplate to the second yardstick must be square against the hanger tube.



Distance between Point A and Point B = Footplate Length

NOTE: The yardstick on the top plane of the seat frame must lie flat against frame. The yardstick going from the footplate to the second yardstick must be square against the front tube.



Distance between Point A and Point B = Footplate Length

NOTE: The yardstick on the top plane of the hanger must lie flat against hanger. The yardstick going from the footplate to the second yardstick must be square against the hanger tube.

