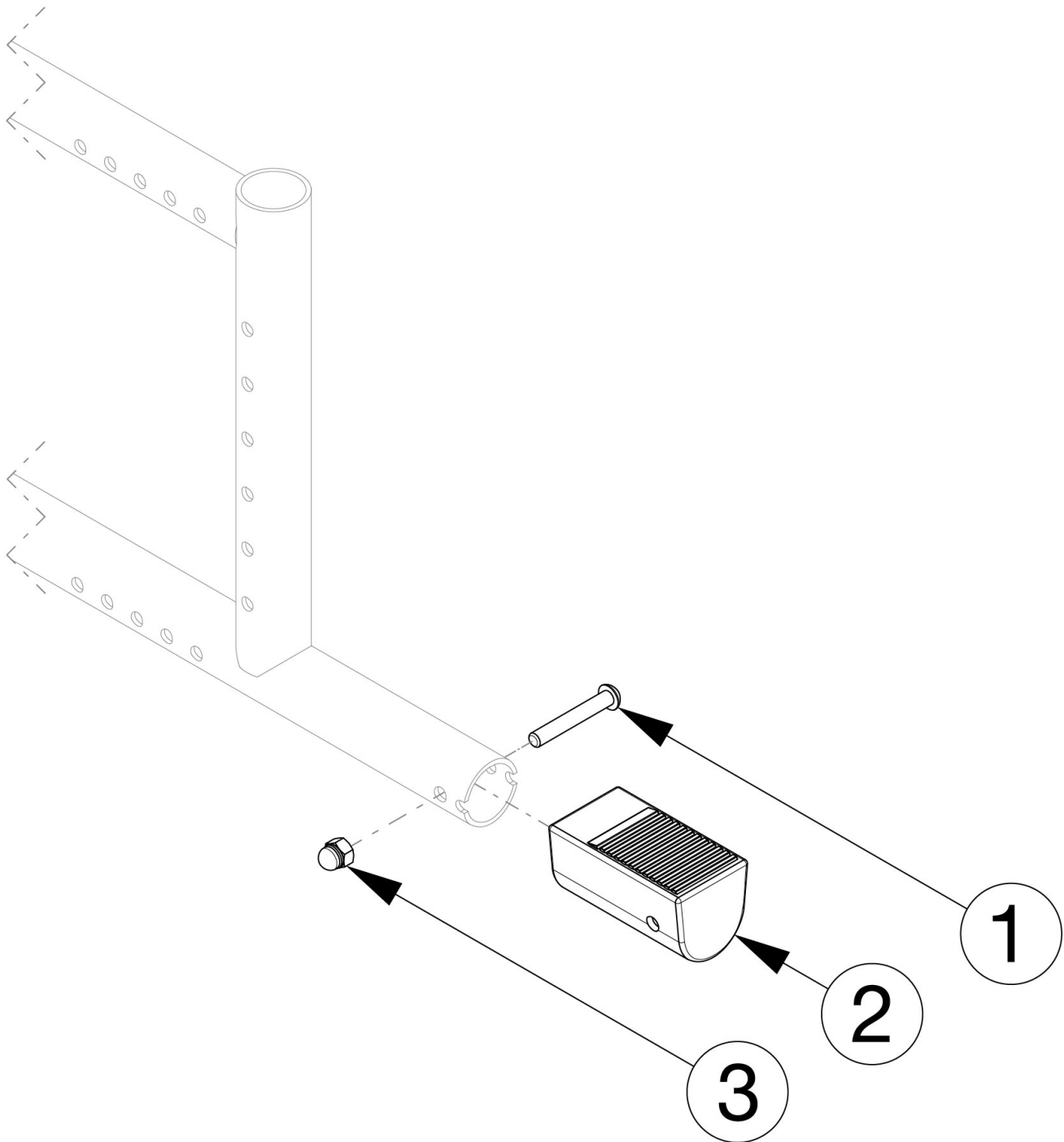


Catalyst E Step Tube



Item Number	Part Number	Description	Quantity	Retail
1	100797	M6 x 40 BHCS BLK ZC	1	\$1.05
3	100558	M6 NYL INS Domed Cap L/N ZC	1	\$1.05