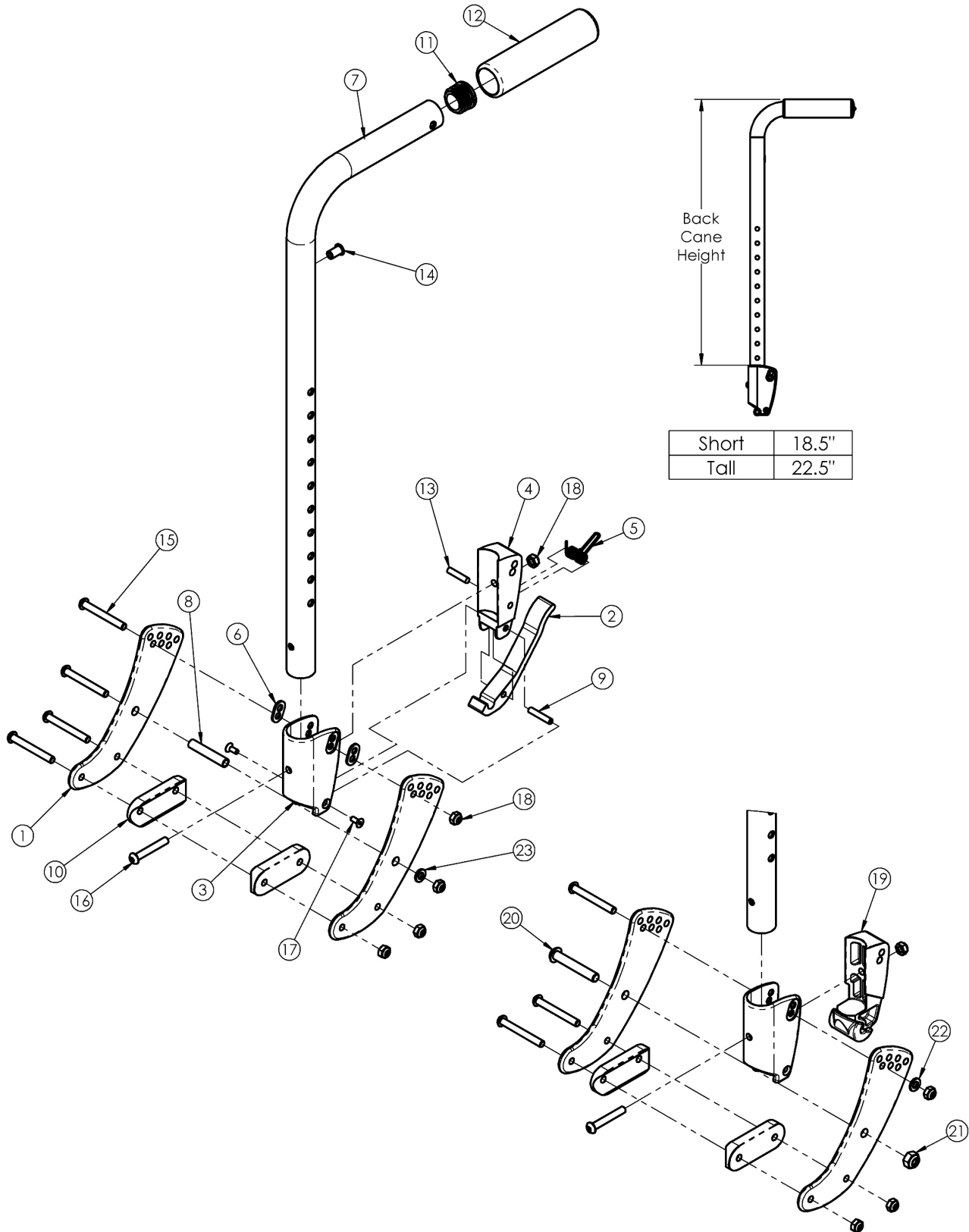


# (Discontinued 2) Focus CR Stroller Handle Backrest



If changing from another style backrest and the hand tilt is present, a new Hand Tilt Cable/Trigger Kit may be required. <p>  
Used on chairs after October 2015 with serial numbers prior to FCR0026599 and FCHD002333.

Item Number	Part Number	Description	Quantity	Retail
1a, 8, 10, 15, 18, 23	502675	Backrest Hardware Assembly, Single Side, Std Focus	1	\$187.54
1a, 1b, 8, 10, 15, 18, 23	502676	Backrest Hardware Assembly, Single Side, Transit Focus	1	\$225.23
1a, 10, 15, 18, 20-22	503102	Backrest Hardware Assembly, Single Side, Std Non-Folding Focus	1	\$188.26
1a, 1b, 10, 15, 18, 20-22	503103	Backrest Hardware Assembly, Single Side, Transit Non-Folding Focus	1	\$225.95
1a	001071	Back Plate Std TILT	2	\$84.77
1b	001421	Back Plate Transit Inner TILT	1	\$122.47
2	001893	Latch Lever, Backrest	1	\$13.34
3, 6	503834	Cover Plate, Latch Insert Kit	1	\$25.33
4	001895	Latch Insert, Folding Backrest	1	\$6.60
5	001896	Spring, Backrest Latch	1	\$0.53
6	001897	Washer, Dual, PSA	2	\$2.09
8	002738	Spacer .313 OD x .243 ID x 1.68 long	1	\$3.92
9	002513	Threaded Barrel, 5mm OD x M4	1	\$1.94
10	002594	Saddle, Dual, 1" OD X 1.75 SP	2	\$3.06
11	100804	Tube End Plug 1"	1	\$1.58
13	102694	Dowel Pin, M5 X 24, Blk Zn	1	\$1.58
15	101781	M6 x 50mm Partial Thread BHCS Blk ZC	4	\$1.58
16	100797	M6 x 40 BHCS BLK ZC	1	\$1.05
17	101818	M4 x 10 FHCS BLKZC w/Patch	2	\$1.05
18	100658	M6 Nylock Nut Blk Zn	5	\$1.05
19	002035	Insert, Backrest, Non-Folding	1	\$14.39
20	101815	M8 x 50 BHCS Blk Zn	1	\$3.68
21	100659	M8 Nylock Nut Blk Zn	1	\$1.05
22	100746	M6 Flat Washer Blk Zn	1	\$1.58
23	101861	Nylon Washer 5/16 x 1/2 x .03	1	\$0.53