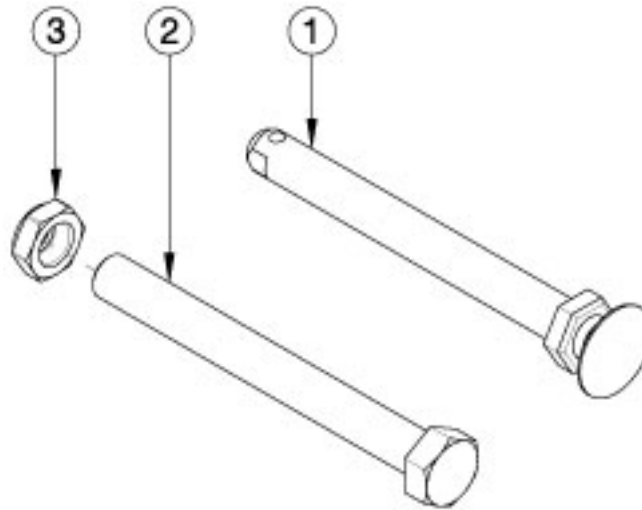


## Focus Axles



Item Number	Part Number	Description	Quantity
1a	101108	Axle Quick Release w/ Button 1/2" x 99MM	1
1b	101191	Axle Quick Release w/ Button 1/2" x 110MM	1
1c	102371	Axle Quick Release w/ Button 1/2" x 122mm	1
2a	102612	Fixed Axle HHCS 1/2-20 X 5 GRD 8 BLK ZN	1
2b	102086	Fixed Axle 1/2-20 x 5 1/2 LG HHCS Blk Zn	1
3	101459	1/2-20 NTE JAM NYL INS L/N BLK ZC	1

## Focus Axle Reference

<b>Quick Release Axles</b>		
<b>Wheel</b>	<b>Receivers</b>	
	<b>001419</b>	<b>114479</b>
X Core Mag / MAXX Mag	102371	102371
12" and 16" Mag / MAXX Performance Spoke / Spoke	101191	102371

<b>Drum Brake Quick Release Axles</b>	
12" and 16" Mag	101108
24" MAXX Performance Spoke	101191

<b>Fixed Axles</b>	
All Wheels	102086

<b>Axle Part Numbers</b>	
<b>Push Button Style</b>	<b>Threaded (Fixed)</b>
101108 (1/2" x 99mm)	102612 (1/2" x 5")
101191 (1/2" x 110mm)	102086 (1/2" x 5-1/2")
102371 (1/2" x 122mm)	

## Focus Axles and Receivers

To find the appropriate axle, first establish the axle receiver according to the RECEIVERS section and then determine the axle using the AXLES section.

### RECEIVERS

Receiver: 001419 (Discontinued)

Description: HD Axle Receiver Tilt

Used When: All Wheel except MAXX Mag wheels

Receiver: 114479

Description: Axle Sleeve Bushing 3", Focus

Used When: All Wheels

### AXLES

001419 Receiver

Quick Release Axles:

Use 102371 with X Core Mag and MAXX Mag wheels

Use 101191 with 12" and 16" Mag wheels, MAXX Performance Spoke, and Spoke wheels

Fixed Axles:

Use 102612 with 12" and 16" Mag wheels, MAXX Performance Spoke, and Spoke wheels

Use 102086 with X Core Mag and MAXX Mag wheels

114479 Receiver

Quick Release Axles:

Use 102371 with All wheels

Fixed Axles:

Use 102086 with All wheels

### Drum Brake

See designated Drum Brake parts manual pages for Drum Brake Rotor / Axle Sleeve information.

Quick Release Axles:

Use 101108 with 12" and 16" Mag wheels

Use 101191 with 24" MAXX Performance Spoke wheels

# Quick Release Axle Measuring Guide

**To identify which axle you have:** Set your axle on the printed copy of this page (do not scale when printing) or take the measurement as shown and locate which overall dimension matches that of the axle you have.

**Note:** The overall length is not the same as the "useable length" which is the length used in the part description. Images of all axles are shown below.

