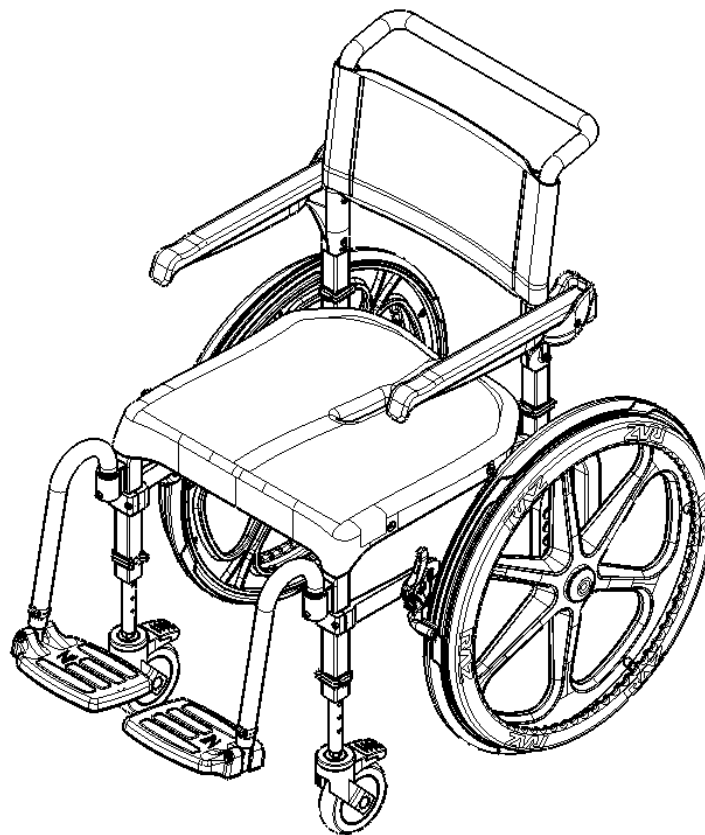




**Mobile Pool Chair**

# Zwim

## User and Dealer Manual



<b>EC REP</b>	Advena Ltd. Tower Business Center 2nd Fir, Tower Street Swatar, BKR 4013 Malta
<b>UKRP</b>	Advena Ltd. Pure Offices, Plato Close Warwick, CV34 6WE UK
<b>CH REP</b>	Easy Medical Device GmbH Bernoullistrasse 20 4056 Basel, Switzerland



BASIC UDI-DI: 628758RAZDESIGNINC2004V9

# SAFETY PRECAUTIONS

## Failure to comply may cause injury or damage!

It is important that the Zwim Pool Chair be properly assembled and that all adjustments be made carefully. Please ensure that the user(s), dealer(s) and attendant(s) have read this manual and thoroughly understood the safe operation of the Zwim Pool Chair. Up-to-date manuals are available online at [www.razdesigninc.com](http://www.razdesigninc.com). For clarification of any section of this manual, contact your distributor or the manufacturer.



### MANUFACTURER

Raz Design Inc.  
135 Railside Rd. Toronto, ON, Canada, M3A 1B7  
1.877.720.5678 / 416.751.5678  
[info@razdesigninc.com](mailto:info@razdesigninc.com)



CHAIR CLASSIFICATION BASED ON MAXIMUM USER WEIGHT	
Zwim	150 kg (331 lbs)

## SAFETY WARNINGS TO CONSIDER FOR RETAIL PURPOSES

**THIS DEVICE IS SUITABLE FOR TYPE A; HIGH USAGE (e.g. INSTITUTIONS) AND SHOULD NEVER BE USED FOR ANY PURPOSE OTHER THAN ORIGINALLY INTENDED**

### Forward Stability

The casters on all models are equipped with dual locks. The step-on pedal activates both the roll lock and the swivel lock. ***It is essential that all casters on the pool chair be in an outward position before engaging the locks for optimal forward and lateral stability.***

**USERS MUST NOT** lean forward while sitting in Zwim Chairs as this may cause the chair to tip forward.

**USERS MUST NOT** wheel down a ramp without an attendant who can hold onto the chair during the descent.

**CASTER LOCKS ARE NOT BRAKES! Never use caster locks to slow down the pool chair when descending inclines as this could cause the chair to tip in the direction of travel.**



## Lateral Stability

**USERS MUST NOT** lean over the edge of a Zwim chair as this could cause the chair to tip.

**USERS MUST NOT** attempt to pick up objects from the floor by leaning over and reaching – a reacher or assistance from others should be employed.

**USERS MUST NOT** position the Zwim chair on a side slope as this could cause it to tip.

## Rearward Stability

**USERS MUST NOT** wheel up an incline on a Zwim chair without an attendant or without having the optional anti-tippers.

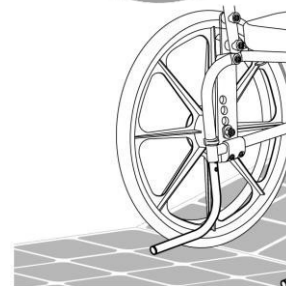
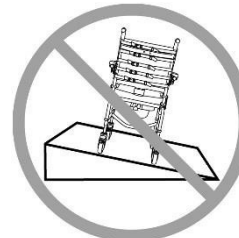
## Anti-Tippers

Anti-tippers are an option available for the Zwim. These are recommended whenever the chairs are to be used on uneven surfaces such as ramps, when used by lower-limb amputees, or for any situations when rearward stability is compromised.

## Ramps and Other Inclines

Ramps and other surfaces that are not level (such as slopes into pools) must be tested with an attendant to ensure that they don't compromise the chair's stability. A qualified healthcare professional should be consulted to assist with this process.

**DO NOT push or pull the Zwim chair up or down an incline or ramp that exceeds a 1:12 grade (5° slope).**



## Transfers

The most dangerous part of using a pool chair is the transfer. Since every chair has different stability characteristics, it is essential to carefully review and test the transfer technique to ensure that the procedure is safe. Test transfers should be performed with an attendant who can prevent the chair from tipping or moving during the transfer. If you feel that the transfers cannot be repeatedly performed safely, contact a healthcare professional who is familiar with transfer techniques and options. Individuals who have not learned safe transfer skills must seek assistance during transfers and may require the use of a mechanical lift.

### Transferring onto the Zwim

**ALWAYS** lock both front casters in their outward position (positioned forward) and fully apply both wheel locks so that they securely engage the rear wheels.

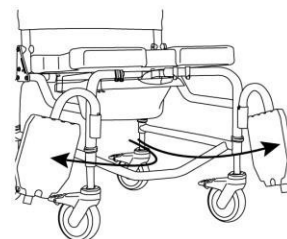
The wheel locks are designed to prevent the self-propelling wheels from rotating. The dual-locks on the casters are designed to prevent the casters from rotating and swiveling. Caster locks and wheel locks **DO NOT and CANNOT** prevent the pool chair from sliding/moving if the floor is slippery. A slippery floor can be caused by dust, water, soap or any substance that does not allow the casters/rear wheels to grip the floor securely.

**Transfers should never be attempted with the pool chair positioned on slippery surfaces.** It is recommended that transfers be performed on clean, dry, non-slippery surfaces. Hard surface flooring such as tile, wood or concrete may not provide sufficient grip to keep locked wheels from sliding. A fully-carpeted surface is optimal.

**DO NOT** stand on any part of the frame of the Zwim chair.

**NEVER use the footplates to assist in transfers.** This could cause the chair to tip. The footrests should be swung to the side or removed entirely during transfers to provide unobstructed access to the pool chair.

The Zwim pool chair **is NOT** intended for use as a transportation device or a long-term seating system.



## **IMPORTANT !**

**USERS SHOULD NEVER BE LEFT UNATTENDED IN A RAZ POOL CHAIR.**

## **IMPORTANT !**

**DO NOT LIFT A RAZ POOL CHAIR AND OCCUPANT BY THE ARMRESTS OR FOOTRESTS!**

## **IMPORTANT !**





**THE ZWIM CHAIR IS INTENDED FOR FOLLOWING USES (WITH OR WITHOUT THE ASSISTANCE OF AN ATTENDANT):**

- **ASSIST A USER WITH THEIR PERSONAL CARE AND HYGIENE INCLUDING SHOWERING / BATHING**
- **PROVIDE MOBILITY ASSISTANCE AND SUPPORT FOR A USER WHILE IN A SEATED POSITION**
- **PROVIDE ACCESS TO A SWIMMING POOL**

**THE ZWIM CHAIR DOES NOT PERFORM ANY THERAPEUTIC OR DIAGNOSTIC FUNCTIONS, AND IS NOT INTENDED FOR USE FOR ANY THERAPEUTIC OR DIAGNOSTIC PURPOSES. ALL PRODUCTS WITHIN THE RAZ FAMILY ARE NON-STERILE, REUSABLE, NON-INVASIVE, AND NON-IMPLANTABLE.**

**THE ZWIM CHAIR IS INTENDED TO BE USED BY PEOPLE WITH MOBILITY IMPAIRMENTS, WHO MAY HAVE DIFFICULTY IN STANDING OR KEEPING THEIR BALANCE WHILE COMPLETING ACTIVITIES. TYPICAL USERS HAVE LIMITED ENDURANCE AND POSTURAL CONTROL, AND MAY REQUIRE ASSISTANCE FROM A CAREGIVER FOR ACTIVITIES.**

# LABELS OR SYMBOLS ON THE PRODUCT

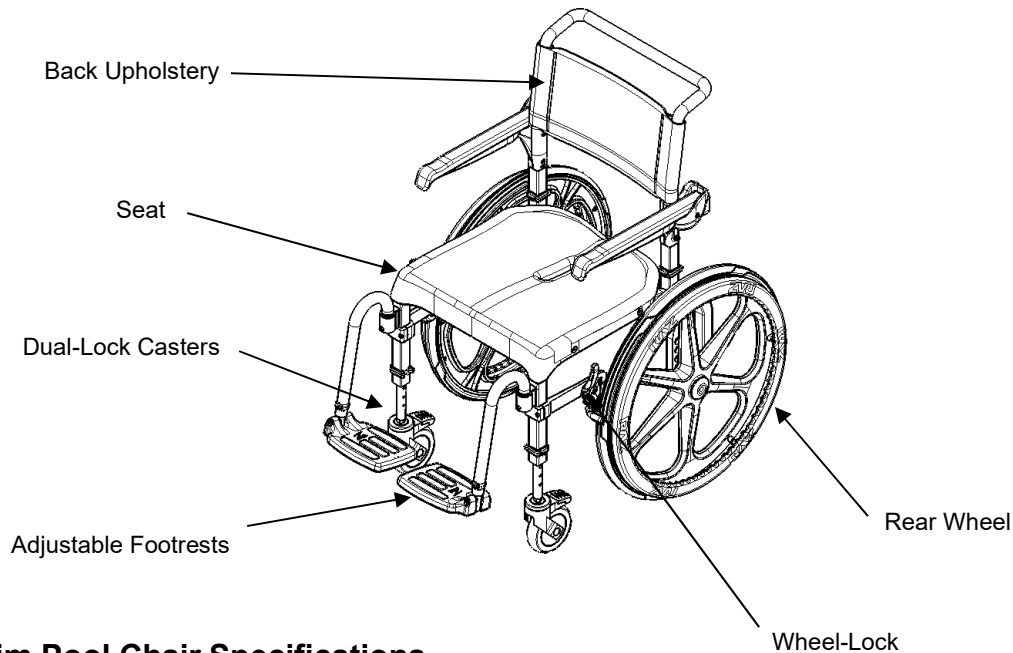
PRODUCT DESIGNATION	<b>ZWIM</b>
MANUFACTURER ADDRESS	 <b>Raz Design Inc.</b> 135 Railside Road Toronto, ON Canada M3A 1B7
AUTHORIZED REPRESENTATIVE DETAIL	<div style="display: flex; justify-content: center; gap: 10px;"> <div style="border: 1px solid black; padding: 2px 5px;"><b>EC</b></div> <div style="border: 1px solid black; padding: 2px 5px;"><b>REP</b></div> </div> <p style="text-align: center; font-size: 1.2em; margin: 10px 0;"><b>UKRP</b></p> <div style="display: flex; justify-content: center; gap: 10px;"> <div style="border: 1px solid black; padding: 2px 5px;"><b>CH</b></div> <div style="border: 1px solid black; padding: 2px 5px;"><b>REP</b></div> </div>
PRODUCT IDENTIFER (PI)	<div style="border: 1px solid black; padding: 2px 5px; display: inline-block;"><b>SN</b></div> ESP-XXXXXX
UDI-DI	<div style="border: 1px solid black; padding: 2px 5px; display: inline-block;"><b>UDI</b></div> 628758009009
MEDICAL DEVICE	<div style="border: 1px solid black; padding: 2px 5px; display: inline-block;"><b>MD</b></div>
EUROPEAN CONFORMITY	<b>CE</b>
DATE OF MANUFACTURE	
MAXIMUM USER WEIGHT	
READ USER MANUAL	

# USER & DEALER MANUAL TABLE OF CONTENTS

1.0	GENERAL INFORMATION	
1.1	Zwim Pool Chair Overview.....	8
1.2	Zwim Pool Chair Specifications .....	8
2.0	SET-UP	
2.1	Backrest Installation .....	9
2.2	Caster Installation.....	9
2.3	Wheel Installation with Standard Axle Bolt.....	9
2.4	Adjustable Footrest Installation .....	10
2.5	Wheel Lock Mount Installation .....	10
2.6	Fastener Installation .....	10
3.0	ADJUSTMENTS: INTENDED FOR DEALER USE ONLY	
3.1	Seat-To-Floor Height Adjustment.....	11
3.1.1	Seat-To-Floor Height Adjustment – Front Casters.....	11
3.1.2	Seat-To-Floor Height Adjustment – Rear Wheels.....	11
3.2	Wheel Lock Adjustment .....	12
3.3	Adjustable Footrest Adjustment.....	12
4.0	USE AND OPERATION	
4.1	Adjustable Footrests.....	13
4.2	Wheel Locks.....	13
4.3	Castors.....	13
5.0	CLEANING AND MAINTENANCE	
5.1	Cleaning After Each Use .....	14
5.1.1	Plastic.....	14
5.2	Cleaning As Needed.....	14
5.2.1	Frame, Adjustable Footrests, and Other Components.....	14
5.3	Suggested Cleaning Products .....	14
6.0	LIMITED WARRANTY .....	15
7.0	CONTACTS .....	16

## 1.0 GENERAL INFORMATION

### 1.1 Zwim Pool Chair Overview



### 1.2 Zwim Pool Chair Specifications

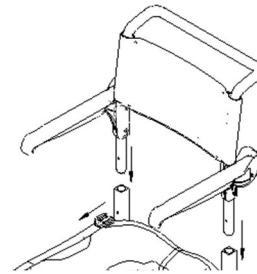
SPECIFICATIONS	
<b>WEIGHT CAPACITY</b>	150 kg (331 lbs)
<b>FRAME WIDTH (seat and back frame)</b>	50 cm (19.75")
<b>OVERALL WIDTH</b>	71 cm (28")
<b>OVERALL LENGTH (with footrests)</b>	104 cm (41")
<b>SEAT WIDTH</b>	50 cm (19.75")
<b>SEAT DEPTH (front of back post to front of seat)</b>	43 cm (17")
<b>CLEARANCE HEIGHT</b>	41-49 cm (16.25"-19.25")
<b>ARMREST HEIGHT ABOVE SEAT</b>	23 cm (9")
<b>SEAT-TO-FLOOR HEIGHT</b>	48-58cm (25mm increments) (19"-23" in 1" increments)
<b>PRODUCT WEIGHT (with footrests)</b>	18 kg (40 lbs)
<b>FRAME AND HARDWARE MATERIAL</b>	Aluminum & Stainless Steel (Lifetime warranty against corrosion)
<b>MINIMUM TURNING CIRCLE</b>	152 cm (60")



## 2.0 SET-UP

### 2.1 Back Support Installation

1. Remove the pool chair from the shipping carton.
2. Remove both snap-pins from base frame.
3. Insert backrest tubes into base frame receivers.
4. Line up the hole on the backrest to the base frame.
5. Insert the snap-pins into the holes.

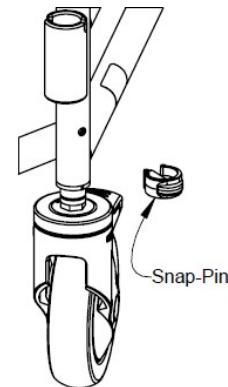


### 2.2 Caster Installation

1. Remove the casters from the accessory box.
2. Insert the caster extension stems into the lower frame receiver tube at the desired position.
3. Line up the hole on the frame and to the caster extension stem. It may be necessary to rotate the caster extension stem in order to line up the holes.

*TIP: Locking the caster first makes this easier.*

4. Insert the snap-pin through the frame tube and the caster extension tube. Ensure that the pin is inserted completely through the tube and that the plastic clip is snapped securely around the outside of the frame tube.
5. Repeat steps 2 to 4 for both casters in the assembly.



## IMPORTANT !

TELESCOPIC CASTER EXTENSION STEMS ALLOW FOR A HEIGHT ADJUSTMENT RANGE OF 4". HOWEVER, THE HIGHER THE CHAIR IS ADJUSTED, THE MORE PRONE IT WILL BE TO TIPPING. CASTERS MUST NEVER BE ADJUSTED TO DIFFERENT HEIGHTS. AN UNLEVEL CHAIR IS EXTREMELY DANGEROUS FOR ANY USER.

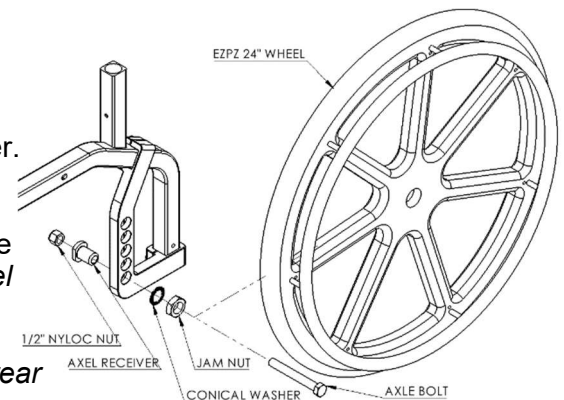
CASTERS SHOULD ALWAYS BE INSTALLED AT THE LOWEST POSITION POSSIBLE WHILE MEETING THE USER'S NEEDS. ANY POSITION ABOVE THIS WILL RESULT IN A CHANGE IN THE CENTER OF MASS, WHICH COULD CAUSE INJURY OR PRODUCT DAMAGE. IT IS HIGHLY RECOMMENDED THAT A QUALIFIED HEALTHCARE PROFESSIONAL ASSIST IN DETERMINING IF THE USER WILL BE STABLE IN THE POOL CHAIR.

### 2.3 Wheel Installation With Standard Axle Bolt

Tools required: 19mm wrench, 19mm socket wrench

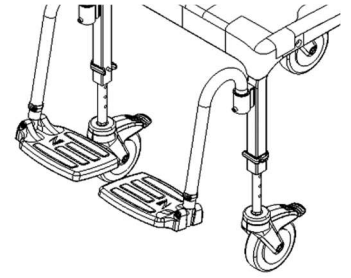
1. Remove both wheels from the shipping carton.
2. Remove the axle bolts and nyloc nuts from the carton divider.
3. Insert the axle bolt through the wheel hub and into the axle receiver.
4. Thread the nyloc nut onto the axle bolt and tighten until the wheel assembly is secure. *Do not over-tighten as the wheel must spin freely.*
5. Repeat steps 3 to 4 for the other wheel.

*NOTE: The caster adjustment must be consistent with the rear wheel location to ensure that the seat is level.*



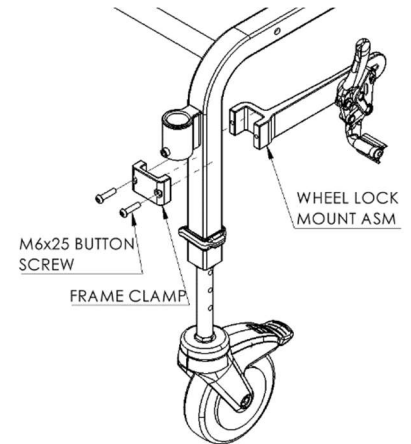
## 2.4 Adjustable Footrest Installation

1. Remove footrests from the inner accessory box.
2. Place the footrest hanger tubes into the receivers that are located at the front of the chair frame.



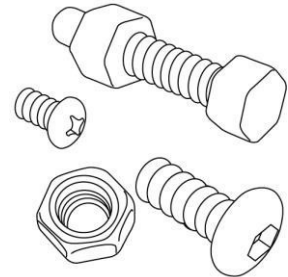
## 2.5 Wheel Lock Mount Installation

1. Remove Wheel Lock Mount ASM, Frame Clamp & M6x25 Button Screw (x2) from the inner accessory box.
2. Line up Wheel Lock Mount ASM & Frame Clamp directly under the footrest receiver (touching the receiver)
3. Thread both M6x25 Button Screws through the Frame Clamp and into the Wheel Lock Mount and tighten until the assembly is secure.



## 2.6 Fastener Installation

All fasteners should be installed securely. Locknuts that are removed for any reason may need to be replaced rather than re-used. Check performance of nyloc nuts when re-attaching to screw. There should be significant detectable resistance when tightening. If not, replace the nyloc nut with a new one. It is advisable to check annually that all fasteners are secure.



**NOTE:** If you purchased the Zwim directly, and not through a dealer, assembly instruction is available from Raz Design. This can be via a video conferencing app such as Zoom or Teams.

### 3.0 ADJUSTMENTS: INTENDED FOR DEALER USE ONLY

## IMPORTANT !

ADJUSTMENTS SHOULD NEVER BE ATTEMPTED WITH THE USER IN THE CHAIR.

## IMPORTANT !

**BOTH CASTER STEMS MUST BE ADJUSTED TO THE SAME HEIGHT. NEVER ATTEMPT TO CHANGE THE FRAME ANGLE BY ALTERING THE CASTER POSITION. UNEQUAL CASTER POSITIONS WILL REDUCE THE CHAIR'S STABILITY AND MAY RESULT IN TIPPING.**

### 3.1 Seat-To-Floor Height Adjustment

#### 3.1.1 Seat-To-Floor Height Adjustment – Front Casters

The two front caster extensions provide a height adjustment range of 4" when used with 24" rear wheels

1. Remove the snap-pins holding the caster extensions in place.
2. Slide the caster assembly to the desired position.
3. Align the holes in the caster extensions with the frame and insert the snap-pins.

*TIP: Locking the caster makes this easier.*

4. Ensure that the pins are completely through the frame tube and that the plastic clips are snapped securely around the frame tubes.
5. Repeat for the other caster.

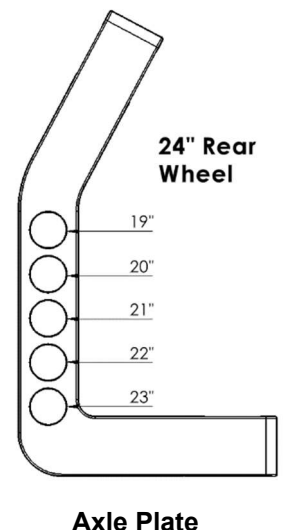
#### 3.1.2 Seat-To-Floor Height Adjustment – Rear Wheels

Tools required: 19mm socket wrench, 19mm wrench, adjustable wrench

The rear wheel axle position chosen must match the caster adjustment so that the chair is level.

*Tip: Refer to the image in section 2.3*

1. Remove the axle bolt (or optional Quick Release axle) and wheel assembly from the axle receiver on the commode frame.
2. Remove the axle receiver from the axle plate.
3. Insert the axle receiver into the desired hole.
4. Insert the lock washer and jam nut onto the axle receiver.
5. Insert the axle and wheel assembly into the axle receiver and tighten the nyloc nut until the wheel assembly is secure. *Do not over-tighten as the wheel must spin freely.* For Quick Release axle, insert into the axle receiver fully to ensure the locking balls are engaged.
6. Adjust the wheel locks.
7. Repeat steps 1 to 6 for the other wheel. Pull both wheels to confirm that they are firmly in place.



## IMPORTANT !

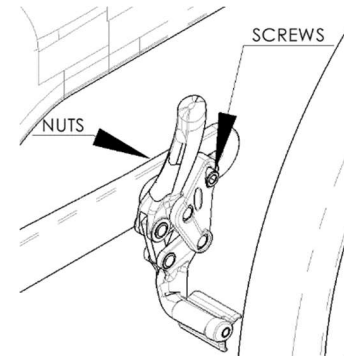
INCREASING THE SEAT HEIGHT WILL DECREASE STABILITY. IT IS ESSENTIAL THAT A STABILITY CHECK BE PERFORMED AFTER ANY OF THESE ADJUSTMENTS ARE MADE. STABILITY CHECKS SHOULD BE PERFORMED WITH AN ATTENDANT BEHIND THE CHAIR. ANTI- TIPPERS MAY BE REQUIRED IF REARWARD STABILITY IS COMPROMISED.

### 3.2 Wheel Lock Adjustment

Tool required: 5mm hex key, 10mm wrench

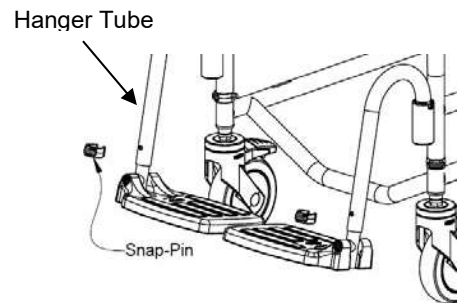
1. Loosen (do not remove) the screws and nuts on one wheel lock.
2. Shift the wheel lock along the mount so that it engages with the wheel and stops all wheel movement.
3. Tighten the screws.
4. Repeat steps 1 to 3 for the other wheel lock.

*Note: A properly adjusted wheel lock will prevent the wheel from rotating without being too difficult for the user to engage.*



### 3.3 Footrest Adjustment

1. Remove the plastic snap-pin from one footrest hanger tube.
2. Adjust the footplate extension tube vertically to achieve the desired height in the footrest hanger tube.
3. Insert the snap-pin through the footrest hanger tube and the extension tube. Ensure that the snap-pin is completely through the tube and that the plastic clip is snapped securely around the outside of the hanger tube.
4. Repeat steps 1 to 3 for the other footplate



## 4.0 USE AND OPERATION

### 4.1 Adjustable Footrests

Adjustable Footrests are standard on all Zwim pool chairs. For transfers, the footrests can be flipped up, rotated away or removed entirely.

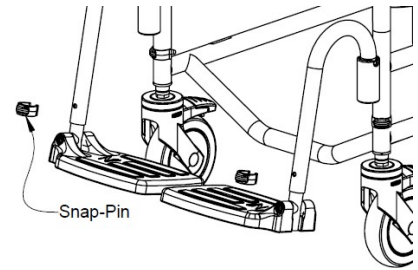
To insert the Adjustable Footrests:

1. Place the footrest hanger tubes into the footrest receivers.
2. Notches in the hanger tubes sit over a pin in the receiver to align the footrests in a forward orientation.

To rotate the Adjustable Footrests:

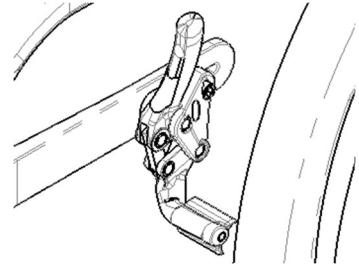
1. Lift the footrest hanger tubes to disengage the pins.
2. Rotate the footrests outward or inward.

To remove the Adjustable Footrests, lift the footrests out of the receiving sleeves on the frame.



### 4.2 Wheel Locks

The Wheel locks on an Zwim Pool Chair can be engaged by pushing the handles forward. This stops the rear wheels from rotating. *For maximum stability, **BOTH** wheel locks **MUST** be engaged.* To disengage the wheel locks, pull the handles rearward.



### 4.3 Casters

Each Zwim chair caster is equipped with a dual-lock feature, which stops the caster from swiveling and rolling simultaneously. To engage the locks, step on the end of the caster lock pedal until it latches in the “on” position. To deactivate the locks, step on the raised end of the pedal until it releases.



## 5.0 CLEANING AND MAINTENANCE

### 5.1 Cleaning After Each Use

#### 5.1.1 Plastic

1. Spray with a multi-purpose disinfectant cleaner and scrub with a soft brush as required.
2. Rinse with a water spray before storage or re-use.

### 5.2 Cleaning As Needed

#### 5.2.1 Frame, Adjustable Footrests, and Other Components

1. Spray the frame and components with a multi-purpose disinfectant cleaner, scrub with a soft brush and rinse with water.
2. If necessary, spray the frame and components with a diluted (10 parts water to 1 part solution) calcium/lime remover (such as CLR), scrub with a soft brush and rinse thoroughly with water.  
**DO NOT** mix a calcium/lime removal solution with any other liquid as toxic fumes may result.

It is recommended to the user that a qualified Raz dealer check over all fasteners and subassemblies if there is cause for concern regarding the Zwim chair's performance.

Several times each year the pool chair and its components should be wiped down with a diluted calcium/lime removal solution in order to reduce deposits, followed by a hot water rinse.

To reduce the risk of mildew buildup, the entire pool chair should be wiped down with a soft dry cloth after the final rinse and before storage or use.

### 5.3 Suggested Cleaning Products

Task	Recommended Products
General Cleaning	Antibacterial Detergent
Surface Disinfecting	Oxiver TB (Virox Technologies Inc.)

## IMPORTANT !

**DO NOT USE ABRASIVE SCRUBBING POWDERS OR SCOURING PADS ON THE ZWIM POOL CHAIR. RINSE THOROUGHLY AFTER CLEANING TO ENSURE THAT ANY SOAP OR DETERGENT RESIDUE IS REMOVED.**

**DO NOT USE CLEANING PRODUCTS WITHOUT CONSULTING THE PRODUCT'S INSTRUCTIONS AND TAKING APPROPRIATE PRECAUTIONS FOR HUMAN EXPOSURE TO CHEMICALS.**

## 6.0 LIMITED WARRANTY

This warranty is extended only to the original purchaser/user for Raz Zwim pool chairs that have been purchased from a qualified Raz dealer.

This warranty gives you specific legal rights, but you may have additional legal rights depending on your region and country.

This warranty shall be extended to comply with state/provincial laws and requirements.

With regards to the original purchaser/user only, Raz Design warrants its base and back frame components to be free of defects in materials and workmanship for a period of two (2) years from the date of purchase. All other components on the Zwim pool chair are covered for a period of one (1) year and are subject to normal wear and tear exclusions. If within such warranty period any such product shall be proven to be defective, the part will be repaired or replaced, at Raz Design's discretion. This warranty does not include any labor or shipping charges incurred in replacement, part installation, or repair of any such product.

For warranty service, please contact the dealer from whom you purchased your Zwim pool chair, or if purchased directly from Raz Design, contact Raz Design. In the event that you do not receive satisfactory warranty service, please contact Raz Design directly using the contact information located in either the beginning or the end of this manual. In your correspondence please provide your dealer's name and address, the product type, the date of purchase, the chair's serial number (on a grey label located on the chair frame), as well as the nature of the product issue. Do not return products to the manufacturer without prior authorization.

### **Limitations and Exclusions:**

The foregoing warranty shall not apply to serial numbered products if the serial number has been removed or defaced, and to products subjected to negligence or an accident. Improper operation, maintenance, or storage may void the warranty coverage on the Zwim pool chair. The warranty does not apply to products modified without Raz Design's express written consent. This includes, but is not limited to, modification through the use of unauthorized parts or attachments, products damaged by reason of repairs made to any component by an individual or individuals who are not employed by a qualified Raz dealer, or to a product damaged by circumstances beyond Raz Design's control. Only Raz Design will have the authority to determine whether or not the circumstances are eligible for warranty coverage. The warranty will not apply to problems arising from normal wear or failure to adhere to the instructions contained in this manual.

The foregoing warranty is exclusive and in lieu of any other warranties, whether express or implied, including the implied warranties of merchantability and fitness for a particular purpose. The sole remedy for violations of any warranty whatsoever will be limited to repair or replacement of the defective product in compliance to the terms contained in this document.

The application of any implied warranty shall not extend beyond the duration of the express warranty provided herein. Raz Design will not be liable for any consequential or incidental damages to part or the whole of a Zwim pool chair.

***Raz Design Inc. frame and hardware material are made of stainless steel and aluminum for which we offer a lifetime warranty against corrosion. Please be advised this lifetime warranty is only extended to the original purchaser/user of Zwim pool chair that have been purchased from a qualified Raz dealer or directly from Raz Design. Failure to comply with proper cleaning instructions may cause corrosion to the frame thereby voiding this warranty. Additionally all claims of corrosion are subject to review and a request may be made for the return of the device in question, for thorough examination, before a replacement order can be processed.***

## 7.0 CONTACTS

It is important that the Swim Pool Chair be properly assembled and all adjustments be made carefully. Up-to-date manuals can be downloaded from [www.razdesigninc.com](http://www.razdesigninc.com). For clarification of any section of this manual, contact the distributor or manufacturer.



### MANUFACTURER

U.S.A. AND WORLDWIDE

Raz Design Inc.

135 Railside Rd. Toronto, ON, Canada, M3A 1B7

1.877.720.5678 / 416.751.5678

[info@razdesigninc.com](mailto:info@razdesigninc.com)



## IMPORTANT !

PRODUCTS THAT CAN NO LONGER BE USED ARE TO BE DISPOSED OF SEPARATELY FROM HOUSEHOLD WASTE. THIS MUST BE DONE ACCORDING TO THE LOCAL AND NATIONAL REGULATIONS FOR ENVIRONMENTAL PROTECTION AND RAW MATERIAL RECYCLING. PLEASE LOOK AT YOUR LOCAL GOVERNMENT WEBSITE FOR FURTHER INFORMATION ON THE CORRECT DISPOSAL.

IF IT IS EVER FELT THAT ANY ASPECT OF THE ZWIM POOL CHAIR IS IN NEED OF MAINTENANCE, CONTACT YOUR DEALER. ANY PROBLEMS THAT COULD AFFECT THE SAFE USAGE OF THE CHAIR MUST BE ATTENDED TO IMMEDIATELY. THE DEALER THAT PROVIDED THE POOL CHAIR MUST BE CONTACTED SO THAT REPAIRS CAN BE MADE PRIOR TO RESUMING USE OF THE CHAIR. IT MUST BE MADE CLEAR TO THE DEALER THAT THE POOL CHAIR IS IN NEED OF MAINTENANCE AND IS UNAVAILABLE FOR USE UNTIL REPAIRS HAVE BEEN UNDERTAKEN AND ALL PROBLEMS RESOLVED.

IF FOR ANY REASON, YOUR DEALER DOES NOT RESPOND TO YOUR SATISFACTION, PLEASE CONTACT RAZ DESIGN:

BY EMAIL	<a href="mailto:info@razdesigninc.com">info@razdesigninc.com</a>
BY PHONE	1.877.720.5678 (North America)
	+1.410.751.5678 (Rest of World)