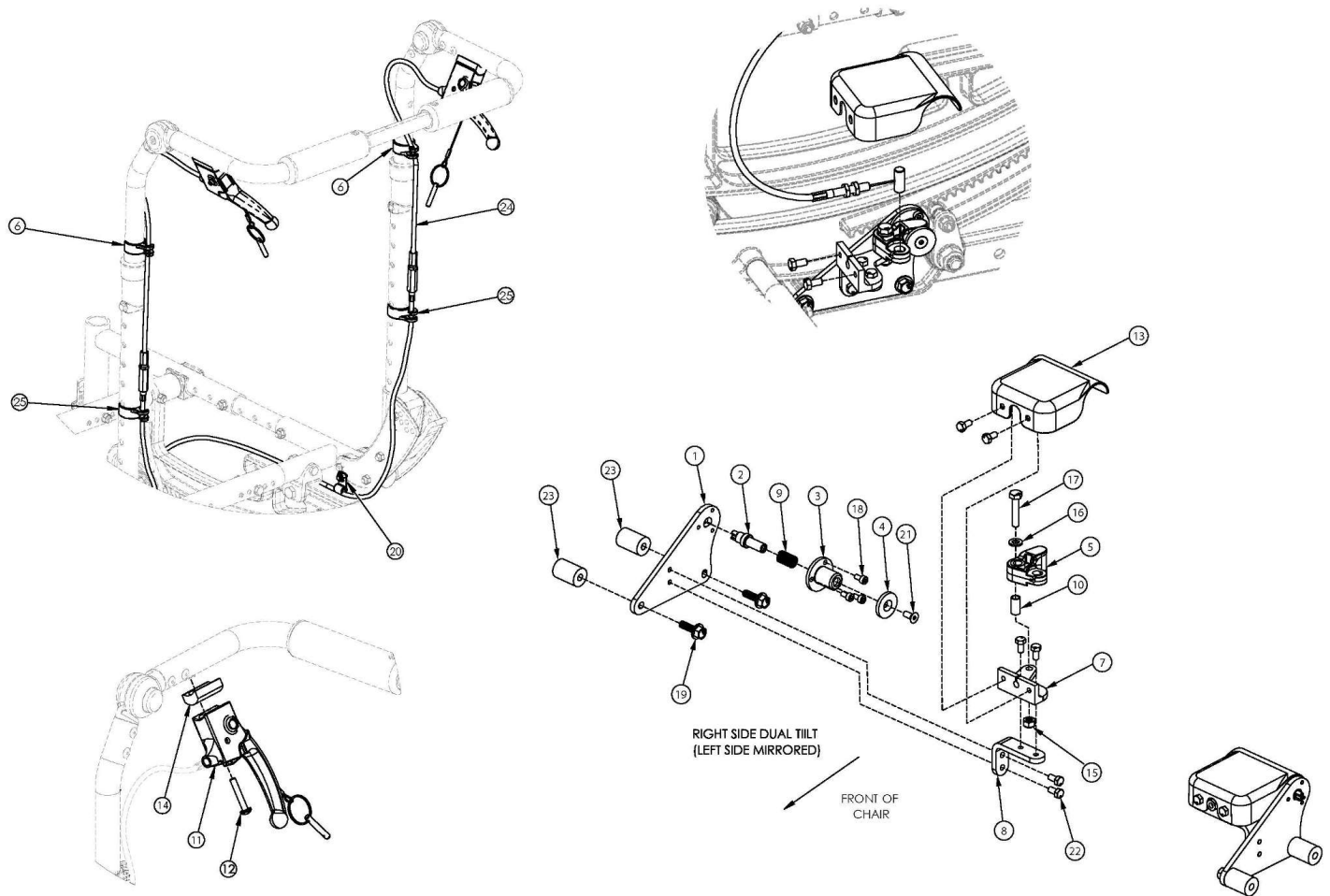


(Discontinued 2) Focus CR Dual Hand Tilt Mechanism Adjustable Height with Adjustable Handle Back



This Focus CR Hand Tilt is discontinued. This design was effective starting with serial numbers FCR0025162 and FCHD002316 to FCR0026598 and FCHD002332.

Item Number	Part Number	Description	Quantity
1-5, 7a, 7b, 8-10, 13, 15-18, 19a, 21, 22	506274	Dual Tilt Lock Mechanism Kit, Focus <i>For complete dual hand tilt mechanism, select appropriate Hand Tilt Cable/Trigger Kit in addition to this kit</i>	1
1-5, 7a, 7b, 8-10, 13, 15-18, 19b, 21-23	506275	Dual Tilt Lock Mechanism Kit, Heavy Duty, Focus <i>For complete dual hand tilt mechanism, select appropriate Hand Tilt Cable/Trigger Kit in addition to this kit</i>	1
6, 11, 12, 14, 20, 24a, 25	506252	Hand Tilt Cable/Trigger Kit with Long Cable, Height Adjustable w/Adj Handle, Focus <i>Used with Short Adjustable Height with Adjustable Handle Back Post with Seat Depths of 14"-17"</i>	2
6, 11, 12, 14, 20, 24b, 25	506253	Hand Tilt Cable/Trigger Kit with XL Cable, Height Adjustable w/Adj Handle, Focus	2

Item Number	Part Number	Description	Quantity
		<i>Used with Short Adjustable Height with Adjustable Handle Back Post with Seat Depths of 18"-22" or Tall Adjustable Height with Adjustable Handle Back Post with Seat Depths of 14"-17"</i>	
6, 11, 12, 14, 20, 24c, 25	506256	Hand Tilt Cable/Trigger Kit with XXL Cable, Height Adjustable w/Adj Handle, Focus <i>Used with Tall Adjustable Height with Adjustable Handle Back Post with Seat Depths of 18"-22"</i>	2
1	004280	Mount Plate, Tilt Lock	2
2	004281	Pin, Plunger, Tilt Lock	2
3	004282	Housing, Plunger, Tilt Lock	2
4	004283	Thrust Washer, Tilt Lock	2
5	004284	Cam Lever, Drive, Tilt Lock	2
1-5, 7a, 8-10, 13, 15-18, 19a, 21, 22	506276	Tilt Lock Mechanism Dual Hand, Right	1
1-5, 7b, 8-10, 13, 15-18, 19a, 21, 22	506277	Tilt Lock Mechanism Dual Hand, Left	1
1-5, 7a, 8-10, 13, 15-18, 19b, 21-23	506278	Tilt Lock Mechanism Dual Hand, Heavy Duty Right	1
1-5, 7b, 8-10, 13, 15-18, 19b, 21-23	506279	Tilt Lock Mechanism Dual Hand, Heavy Duty Left	1
6	001118	Cable Clip 7/8"	2
7a	004287	Linkage Mount, Right	1
7b	004288	Linkage Mount, Left	1
8	004289	Bracket, Mount, Tilt Lock	2
9	004290	Spring, Comp, .42OD x 1.0L x .038W	2
10	004291	Bushing, Pivot, Tilt Lock	2
11	002801	Lever Assembly Horizontal Tilt	2
12	100696	M5 x 30mm PPH Capscrew	2
13	004298	Cover, Tilt Lock	2
14	003367	Spacer, Tilt Lever	2
15	100658	M6 Nylock Nut Blk Zn	2
16	100746	M6 Flat Washer Blk Zn	2
17	101824	M6 X 30 Hhcs Blk Zn	2

Item Number	Part Number	Description	Quantity
18	102800	M4 x 8mm SHCS Blk Zn	6
19a	103510	M6 x 1 x 20 HHCS SFLG CLS8.8 Blk Zn DIN6921 <i>Used with Standard Weight Capacity</i>	4
19b	103511	M6 x 1 x 45 HHCS SFLG CLS8.8 Blk Zn DIN6921 <i>Used with Heavy Duty Option</i>	4
20	001239	P-Clip 3/16"	2
21	103522	M5 x 0.8 x 12 FHCS CLS 10.9 Nyl Blk Zn DIN7991	2
22	200427	M5 x 10 CLS8.8 HHCS ZC w/Patch DIN933	12
23	001405	Spacer, .69OD x .24ID x .1.01Lg <i>Used with Heavy Duty Option</i>	4
24a	004302	Cable, Tilt, Long <i>Used with Short Adjustable Height with Adjustable Handle Back Post with Seat Depths of 14"-17"</i>	2
24b	004303	Cable, Tilt, XL <i>Used with Short Adjustable Height with Adjustable Handle Back Post with Seat Depths of 18"-22" or Tall Adjustable Height with Adjustable Handle Back Post with Seat Depths of 14"-17"</i>	2
24c	004304	Cable, Tilt, XXL <i>Used with Tall Adjustable Height with Adjustable Handle Back Post with Seat Depths of 18"-22"</i>	2
25	001117	Cable Clip 1"	2