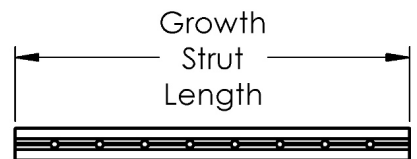
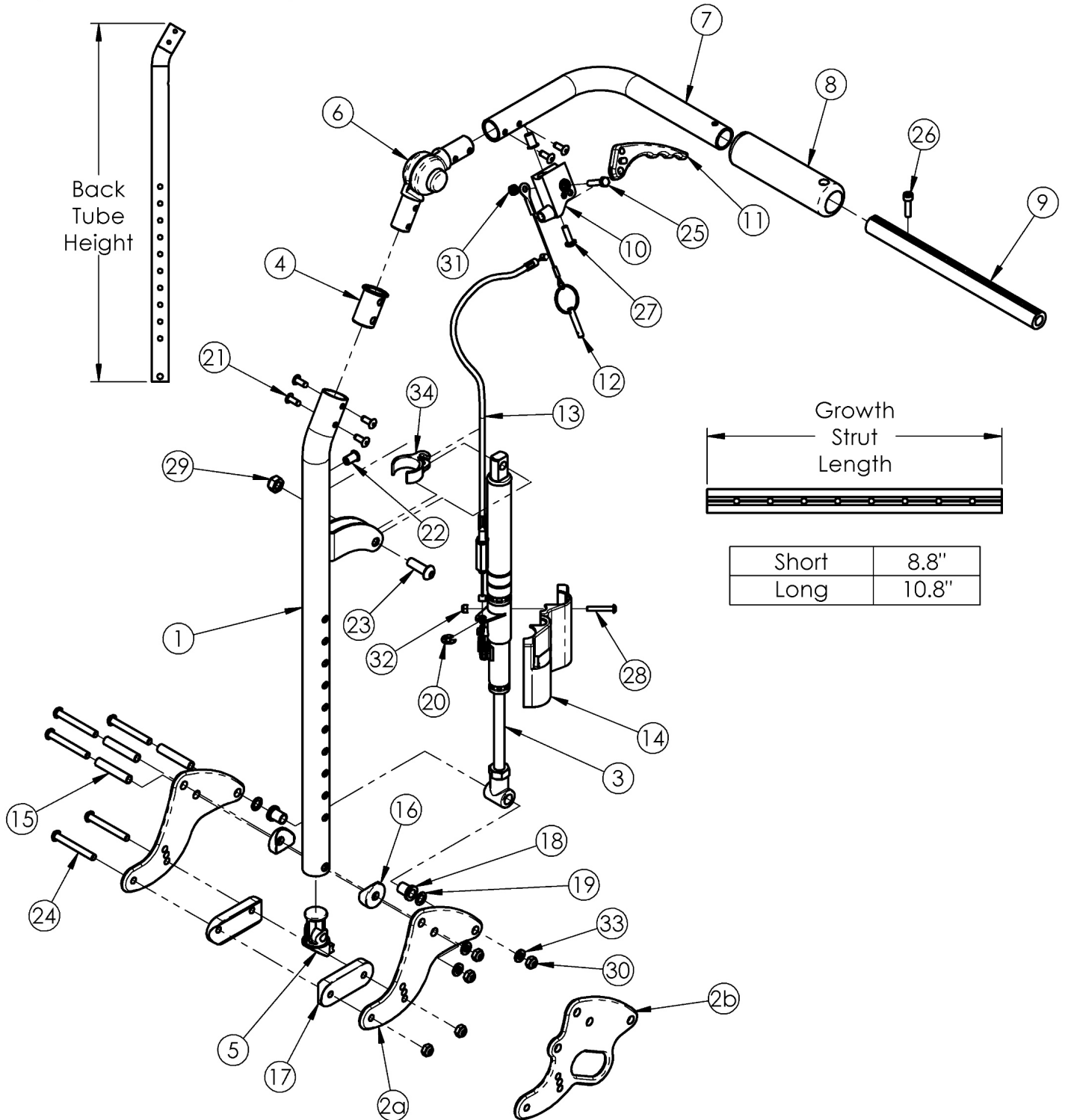


(Discontinued 1) Focus CR Reclining Backrest

Short	21.2"
Tall	25.2"



Short	8.8"
Long	10.8"

If changing from another style backrest and the hand tilt is present, a new Hand Tilt Cable/Trigger Kit may be required. Used on chairs with serial numbers prior to FCR0026599 and FCHD002333.

Item Number	Part Number	Description	Quantity
2a, 15, 16, 17, 18, 19, 24, 30, 33	505857	Reclining Backrest Hardware Assembly (One Side), Std Focus	1
2b, 15, 16, 17, 18, 19, 24, 30, 33	505858	Reclining Backrest Hardware Assembly (One Side), Transit Focus	1
2a	001262	Back Plate, Recline Tilt	2
2b	001263	Back Plate, Recline, Transit Tilt	2
3a	001264	Gas Spring Lock 92mm 20kg, Left (Standard Weight Capacity)	1
3b	001265	Gas Spring Lock 92mm 20kg, Right (Standard Weight Capacity)	1
3c	001375	Gas Spring Lock 92mm 40kg, Left (Heavy Duty)	1
3d	001376	Gas Spring Lock 92mm 40kg, Right (Heavy Duty)	1
5	001267	Plug, Back Tube, Lower, Recline	1
9a	002578	Growth Strut, Stroller, Short <i>Used on chairs 14"-17" wide</i>	1
9b	002579	Growth Strut, Stroller, Long <i>Used on chairs 18"-22" wide</i>	1
10	003638	Trigger Mount, No Lockout	1
11	001123	Trigger Horizontal	1
12	001124	Pin with Lanyard	1
13a	001268	Cable, Recline, Short	1
13b	001269	Cable, Recline, Long	1
14a	001298	Cover, Gas Spring, Left	1
14b	001299	Cover, Gas Spring, Right	1
15	001075	Stop Pin Backrest Tilt	3
16	001271	1" Saddle, .323 Hole	2
17	002594	Saddle, Dual, 1" OD X 1.75 SP	2
18	102081	Bushing Flange .319 IDx.394 OD	2
19	101861	Nylon Washer 5/16 x 1/2 x .03	2
20	101076	1/4" E Ring	1

Item Number	Part Number	Description	Quantity
23	101814	M8 x 25 BHCS Blk Zn	1
24	101781	M6 x 50mm Partial Thread BHCS Blk ZC	5
25	101820	M5 x 22 HHCS Blk Zn	1
26	101843	M5 x 20 SHCS Blk Zn	1
27	100734	M5 x 16 PHMS ZC	1
28	102328	M4 x 25 Pan Head Phil Blk Zn	1
29	100659	M8 Nylock Nut Blk Zn	1
30	100658	M6 Nylock Nut Blk Zn	5
31	100657	M5 Nylock Nut Blk Zn	1
32	102329	M4 Nylock Nut Blk Zn	1
33	100746	M6 Flat Washer Blk Zn	3
34	001117	Cable Clip 1"	1