



# SEDEO® PRO ADVANCED OMNI 2 BAG MOUNTING



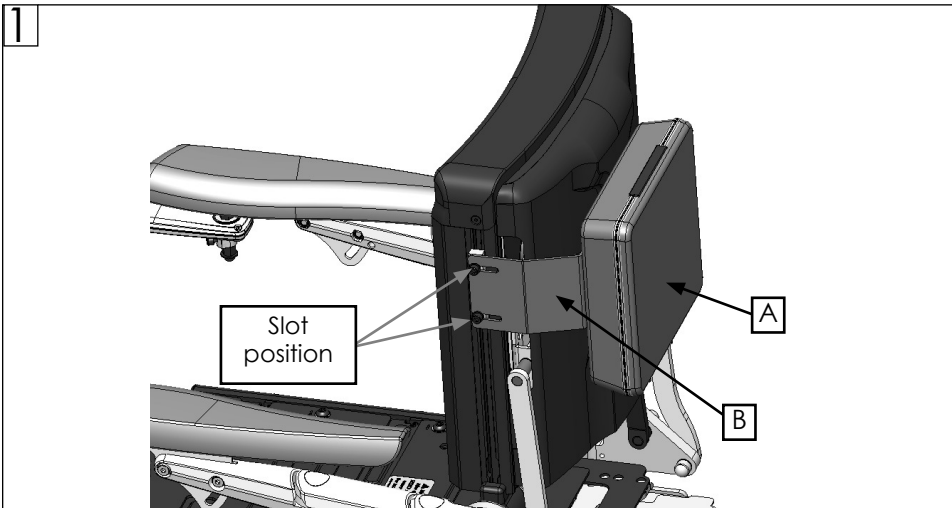
Please read these instructions carefully before beginning the assembly. Failure to understand and follow assembly instructions may result in injury to technician and/or end user and may void the warranty. If you have any questions call Sunrise Medical Technical Support at +1 (800) 333-4000.

**Parts:**

- |                         |                                       |
|-------------------------|---------------------------------------|
| 1. OMNI2 BRACKET ERGO   | 4. SHCS DIN 912 M6X25 8.8 DPS PL (x2) |
| 2. OMNI SPACER          | 5. WASHER OD 12.3 ID 6.5X1.6 (x2)     |
| 3. M6 T-NUT ISO299 (x2) |                                       |


**Required tools:**

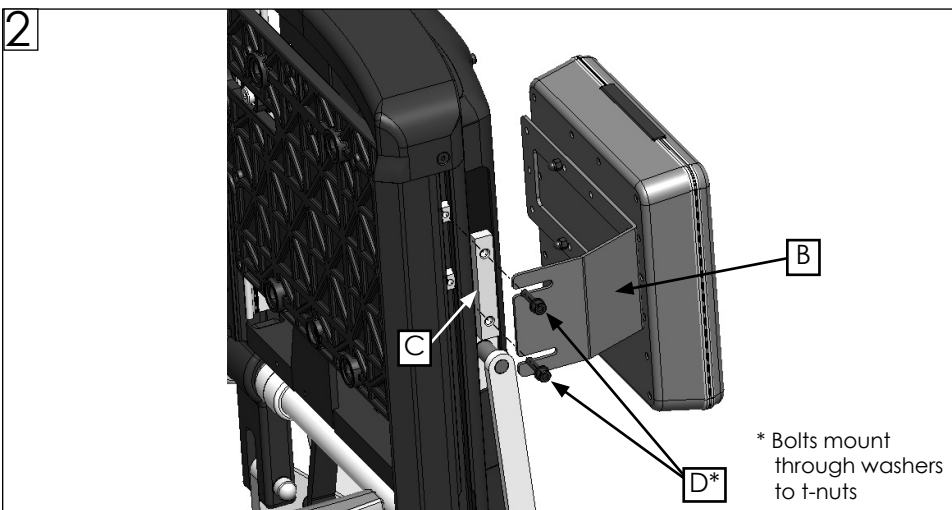
1. 5mm hex
2. Torque wrench



The purpose of this instruction sheet is to show the proper location for the OMNI 2 bag mounting bracket.

**A. MOUNTING**

1. Mount bracket (B) to backrest as shown with spacer (C). Use 5mm hex key to secure bolts (D) through washers to t-nuts.
  - a. Ensure that the bolts are set to the end of the slot as shown in Fig. 1 "slot position". Incorrect mounting position could potentially cause interference.
  - b. Torque to 7-8 Nm [60-70 in-lbs]. 

**⚠️ DEALER/TECHNICIAN WARNING**

Attention dealers and qualified technicians, do not operate or service this device without first reading the owners manual. If you do not understand the instructions and warnings in the owners manual please contact the Quickie Technical Service Department before operating and/or servicing the Quickie device. Failure to do so may result in damage and/or injury.

Find more information and important warnings in the wheelchair owner's manual or at: [www.SunriseMedical.com](http://www.SunriseMedical.com).

**Sunrise Medical 2842 N. Business Park Ave Fresno, CA 93727 USA In Canada: (800) 263-3390**



**Customer Service: +1(800) 333-4000  
or visit [www.SunriseMedical.com](http://www.SunriseMedical.com)**

© 2022 Sunrise Medical (US) LLC  
08/2022 256470 Rev. A  
Page 1 of 1