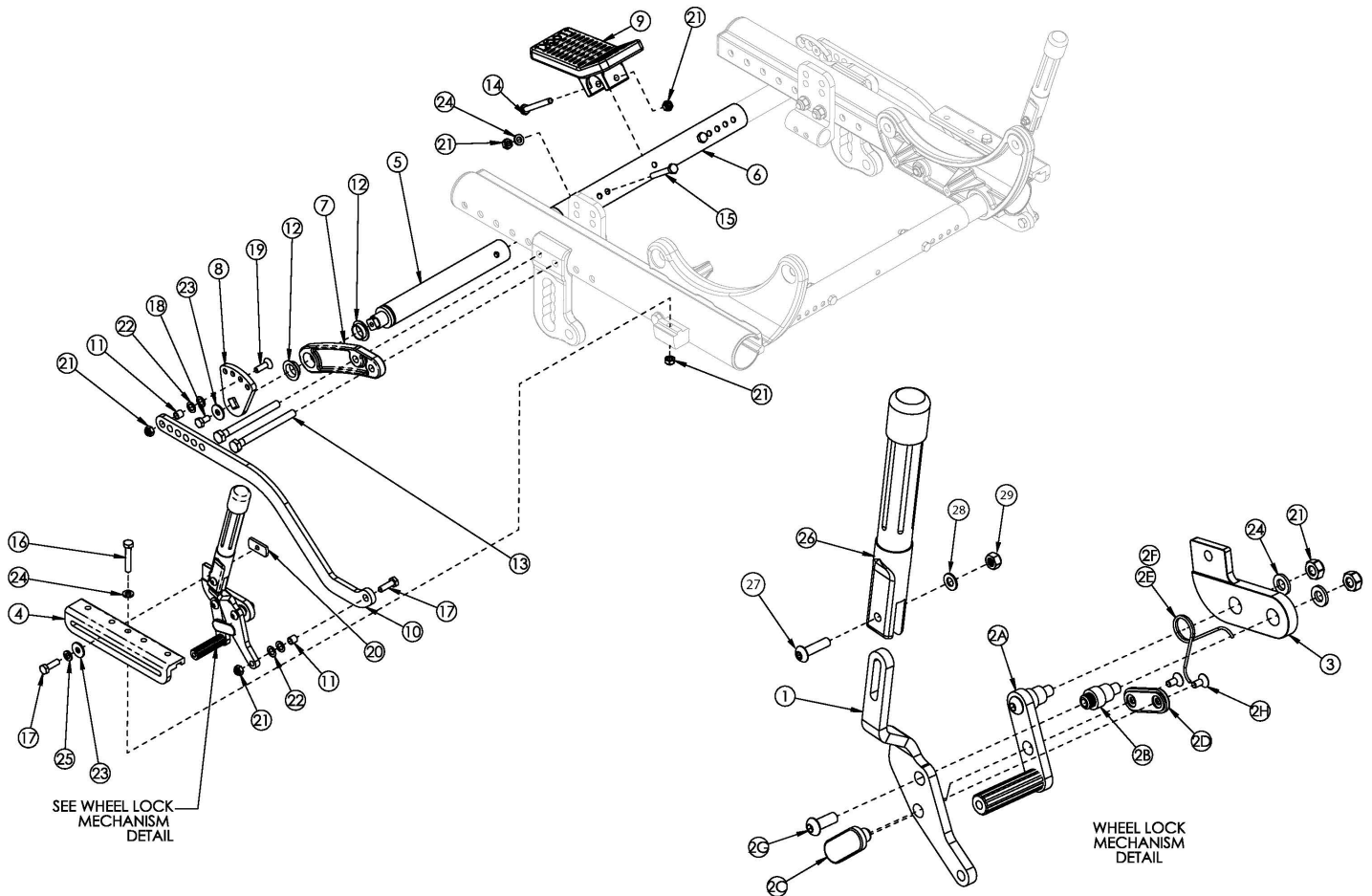


Focus CR Inverted Combination Attendant Foot Lock



Inverted axle plates are not used with wheels 20" or larger.

Item Number	Part Number	Description	Quantity
1a, 2a-2h, 26-29	003393	Combo Wheel Lock Assembly Push with Extension, Right	1
1b, 2a-2h, 26-29	003394	Combo Wheel Lock Assembly Push with Extension, Left	1
1a, 1b, 2a - 2h, 26-29	503737	Combo Wheel lock Assembly Push with Extension PAIR <i>Use this kit to retrofit to the Combination Attendant Foot Lock when the Attendant Foot Lock and Inverted Axle Plate are already present. Contains parts needed for push to lock.</i>	1
1-5, 7-14, 16-29	503739	Combo Foot Lock Kit for Inverted Axle Plate, 12-16" Wheel <i>Use this kit to retrofit to the Combination Attendant Foot Lock when the Inverted Axle Plate is already present and the Attendant Foot Lock is not present. Contains parts needed for push to lock.</i>	1
3, 4, 10, 16, 17, 20, 21, 23-25	119823	Linkage Foot Lock Inverted Axle Plate Kit <i>Used to retrofit from an Existing Standard Attendant Foot lock. Contains hardware for both sides.</i>	1

Item Number	Part Number	Description	Quantity
6a, 15, 21, 24	501123	Base/Axle/Foot Lock Strut Assembly Small Focus	1
6b, 15, 21, 24	501124	Base/Axle/Foot Lock Strut Assembly Medium Focus	1
6c, 15, 21, 24	501125	Base/Axle/Foot Lock Strut Assembly Large Focus	1
6d, 15, 21, 24	114284	Base/Axle/Foot Lock Strut Assembly X-Large Focus	1
3	003774	Wheel Lock Mount Inverted Axle Plate Push/Attendant <i>Replaced 001396</i>	2
4	001398	Wheel Lock Mount Bar Inverted Axle Plate	2
5	001145	Strut Foot Lock Tilt	2
6a	001011	Growth Strut, Base, Small Tilt	1
6b	001012	Growth Strut, Base, Medium Tilt	1
6c	001013	Growth Strut, Base, Large Tilt	1
6d	112005	Growth Strut, Base, X-Large Tilt	1
7	001427	Tube Mount Foot Lock Tilt	2
8	001150	Index Plate Foot Lock Tilt	2
9	001397	Pedal Foot Lock 2-Way Tilt	1
10	001406	Linkage Foot Lock Inverted Axle Plate	2
11	001156	Pivot Bushing Tilt	4
12	001157	IGUS Bushing GFM-1618-06	4
13a	102384	M8 x 100 HHCS Blk Zc Part THD <i>Use quantity 1 of 102384 and quantity 1 of 101832 per side when Foot Tilt is present</i>	2
13b	101832	M8 x 90 HHCS Blk Zn <i>Use quantity 2 per side when Hand Tilt is present</i>	4
14	101826	M6 x 50 HHCS Blk Zn	1
15	101825	M6 x 40 HHCS Blk Zn	2
16	102386	M6 x 35mm HHCS Blk Zc	2
17	101823	M6 X 20 Hhcs Blk Zn	4
18	101822	M6 x 12 HHCS BLKZC w/Patch	2
19	100866	M6 x 20 CLS12.9 DIN7991 FSHCS Blk Zc w/Patch	2

Item Number	Part Number	Description	Quantity
20	001141	Weld Nut NDM 06028 Zinc	2
21	100658	M6 Nylock Nut Blk Zn	13
22	101861	Nylon Washer 5/16 x 1/2 x .03	4
23	101853	M6 Washer Blk Zn	2
24	100746	M6 Flat Washer Blk Zn	8
25	101835	M6 Lock Washer Blk Zn	2
26-29	100854	Brake Extension Replacement	1
27	101117	M5 x 22 BTN SHCS BLK ZC	1
28	101856	Flat Washer, M5, Blk Zn	1
29	100657	M5 Nylock Nut Blk Zn	1
7, 12	501435	Foot Lock Tube Mount with Bearings Focus	1

Inverted axle plates are not used with wheels 20" or larger.

Wheel	Tire	Caster	Standard Axle Plate Seat Heights	Inverted Axle Plate Seat Heights
12" Mag	Pneumatic	5"	13.5" - 14.5"	17.5" - 19.5"
12" Mag	Pneumatic	6"	14.5"	17.5" - 19.5"
12" Mag	Pneumatic	6x2"	14.5"	17.5" - 19.5"
12" Mag	Pneumatic	7"	n/a	17.5" - 19.5"
12" Mag	Pneumatic	8"	n/a	17" - 19.5"
12" Mag	Pneumatic	8"x1.5"	n/a	17.5" - 19.5"
12" Mag	Pneumatic	8x2"	n/a	17.5" - 19.5"
12" Mag	Full Poly	5"	n/a	16.5" - 19"
12" Mag	Full Poly	6"	n/a	16.5" - 19"
12" Mag	Full Poly	6x2"	n/a	16.5" - 19"
12" Mag	Full Poly	7"	n/a	16.5" - 19"
12" Mag	Full Poly	8"	n/a	16." - 18.5"
12" Mag	Full Poly	8"x1.5"	n/a	16.5" - 19"
12" Mag	Full Poly	8x2"	n/a	17" - 18.5"
12" Mag w/ Drum Brake	Pneumatic	5"	13" - 14.5"	17.5" - 20"
12" Mag w/ Drum Brake	Pneumatic	6"	14" - 14.5"	17.5" - 19.5"
12" Mag w/ Drum Brake	Pneumatic	6x2"	14" - 14.5"	17.5" - 20"
12" Mag w/ Drum Brake	Pneumatic	7"	n/a	17.5" - 20"
12" Mag w/ Drum Brake	Pneumatic	8"	n/a	17.5" - 20"
12" Mag w/ Drum Brake	Pneumatic	8"x1.5"	n/a	17.5" - 19.5"
12" Mag w/ Drum Brake	Pneumatic	8x2"	n/a	17.5" - 19.5"
12" Mag w/ Drum Brake	Full Poly	5"	13" - 14.5"	17.5" - 19.5"
12" Mag w/ Drum Brake	Full Poly	6"	14" - 14.5"	17.5" - 19.5"
12" Mag w/ Drum Brake	Full Poly	6x2"	14" - 14.5"	17.5" - 19.5"
12" Mag w/ Drum Brake	Full Poly	7"	n/a	17.5" - 19.5"
12" Mag w/ Drum Brake	Full Poly	8"	n/a	17.5" - 19.5"
12" Mag w/ Drum Brake	Full Poly	8"x1.5"	n/a	17.5" - 19.5"
12" Mag w/ Drum Brake	Full Poly	8x2"	n/a	17.5" - 19.5"

Inverted axle plates are not used with wheels 20" or larger.

Wheel	Tire	Caster	Standard Axle Plate Seat Heights	Inverted Axle Plate Seat Heights
16" Mag	Pneumatic	5"	13" - 16"	19" - 20.5"
16" Mag	Pneumatic	6"	14" - 16"	19" - 20.5"
16" Mag	Pneumatic	6x2"	14" - 16"	19" - 20.5"
16" Mag	Pneumatic	7"	15" - 16"	19" - 20.5"
16" Mag	Pneumatic	8"	16"	19" - 20.5"
16" Mag	Pneumatic	8"x1.5"	15.5" - 16"	19" - 20.5"
16" Mag	Pneumatic	8x2"	16"	19" - 20.5"
16" Mag	Full Poly	5"	13" - 16.5"	19" - 20.5"
16" Mag	Full Poly	6"	14" - 16.5"	19" - 20.5"
16" Mag	Full Poly	6x2"	14" - 16.5"	19" - 20.5"
16" Mag	Full Poly	7"	15" - 16.5"	19.5" - 20.5"
16" Mag	Full Poly	8"	16"	19" - 20.5"
16" Mag	Full Poly	8"x1.5"	15.5" - 16.5"	19" - 20.5"
16" Mag	Full Poly	8x2"	16" - 16.5"	19" - 20.5"
16" Mag	Low Poly	5"	13" - 15"	18" - 20"
16" Mag	Low Poly	6"	14" - 15"	18" - 20"
16" Mag	Low Poly	6x2"	14" - 15"	18" - 20.5"
16" Mag	Low Poly	7"	n/a	18" - 20.5"
16" Mag	Low Poly	8"	n/a	18" - 20.5"
16" Mag	Low Poly	8"x1.5"	n/a	18" - 20"
16" Mag	Low Poly	8x2"	n/a	18" - 20"
16" Mag w/ Drum Brake	All	5"	13.5" - 16"	19" - 20.5"
16" Mag w/ Drum Brake	All	6"	14" - 16"	18.5" - 20.5"
16" Mag w/ Drum Brake	All	6x2"	14" - 16"	18.5" - 20.5"
16" Mag w/ Drum Brake	All	7"	15" - 15.5"	18.5" - 20.5"
16" Mag w/ Drum Brake	All	8"	n/a	18.5" - 20.5"
16" Mag w/ Drum Brake	All	8"x1.5"	15.5" - 16"	18.5" - 20.5"
16" Mag w/ Drum Brake	All	8x2"	16"	18.5" - 20.5"