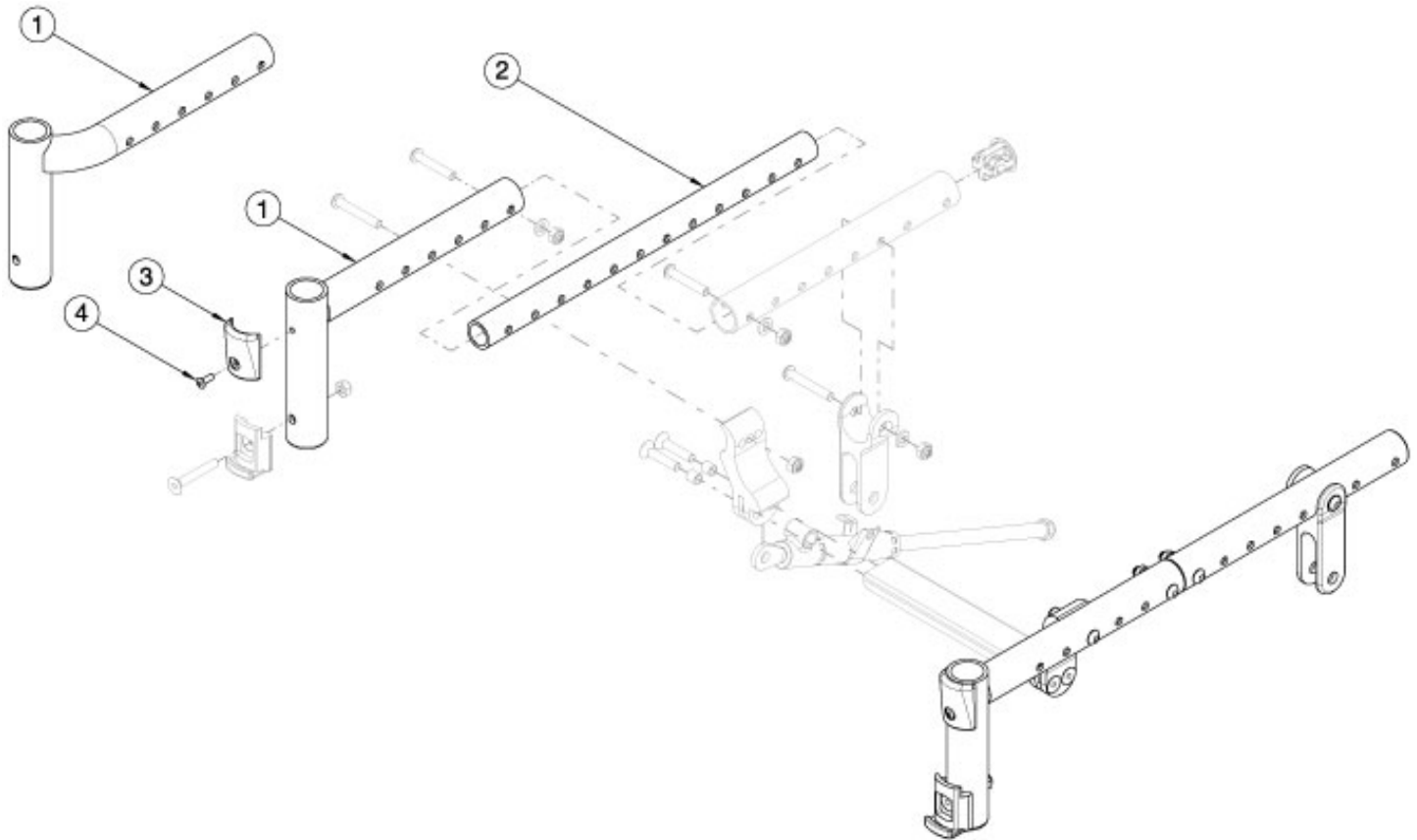


Flip Seat Frame - Growth (Depth)



Has your depth changed? Will your existing seat tubes accommodate your new depth? If no, please select the appropriate seat tubes. Color for the Front Seat Tubes is the Frame Color of the chair.

Item Number	Part Number	Description	Quantity
1a, 3, 4	502978_ _ _	Front Seat Tube Std, Short <i>Accommodates a 12"-16" depth.</i>	2
1b, 3, 4	502979_ _ _	Front Seat Tube Std, Medium <i>Accommodates a 14"-18" depth.</i>	2
1c, 3, 4	502980_ _ _	Front Seat Tube Std, Long <i>Accommodates a 16"-20" depth.</i>	2
1d	502981_ _ _	Front Seat Tube Offset, Short Right <i>Accommodates a 12"-16" depth.</i>	1
1e	502982_ _ _	Front Seat Tube Offset, Short Left <i>Accommodates a 12"-16" depth.</i>	1
1f	502983_ _ _	Front Seat Tube Offset, Medium Right <i>Accommodates a 14"-18" depth.</i>	1
1g	502984_ _ _	Front Seat Tube Offset, Medium Left	1

Item Number	Part Number	Description	Quantity
1h	502985_ _ _	<i>Accommodates a 14"-18" depth.</i> Front Seat Tube Offset, Long Right <i>Accommodates a 16"-20" depth.</i>	1
1i	502986_ _ _	Front Seat Tube Offset, Long Left <i>Accommodates a 16"-20" depth.</i>	1
2a	001877	Ped Seat Frame Growth Tube, 13.5"	2
2b	003667	Ped Seat Frame Growth Tube, 12.5" <i>Used on 12" Deep Chairs with Offset Hangers</i>	2