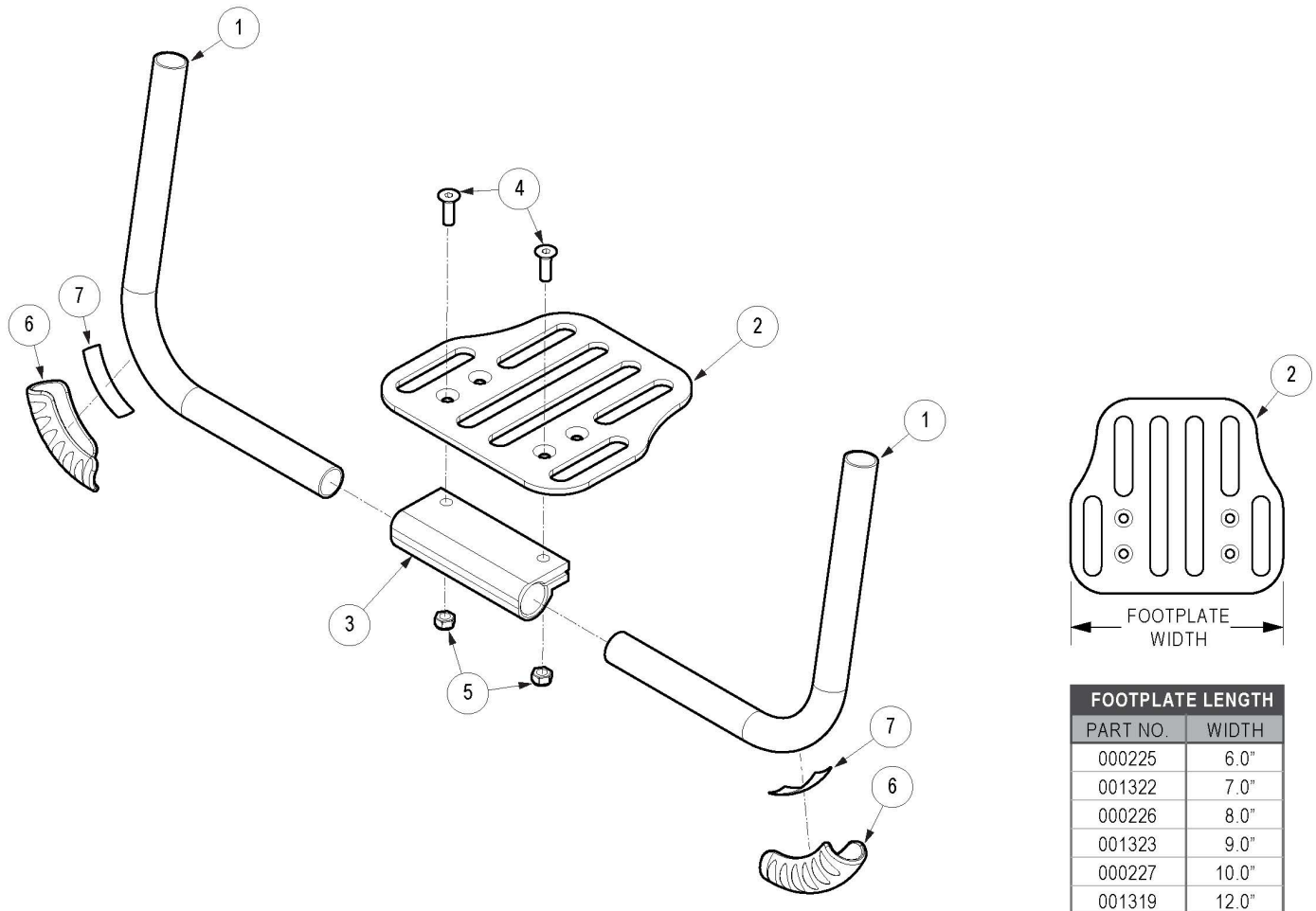


# Ethos Angle Adjustable Footrest



Use Short Footrest if 0" taper and footrest length is 9" - 10.5" or if 1" or 2" taper and footrest length is 9" - 15.5" See Ethos Seat Frame page for hardware to attach footrest tubes to chair.

Item Number	Part Number	Description	Quantity
1b, 2b, 3 - 5	109715	Angle Adjustable Footrest Assembly 12", Ethos <i>Used on 12" wide with 0" taper</i>	1
1a, 2a, 3 - 5	109716	Angle Adjustable Footrest Assembly 12", 1" Taper, Ethos <i>Used on 12" wide with 1" taper</i>	1
1b, 2c, 3 - 5	109717	Angle Adjustable Footrest Assembly 13", Ethos <i>Used on 13" wide with 0" taper, 14" wide with 1" taper or 16" with 2" taper</i>	1
1a, 2b, 3 - 5	109718	Angle Adjustable Footrest Assembly 13", 1" Taper, Ethos <i>Used on 13" wide with 1" taper</i>	1
1c, 2d, 3 - 5	109719	Angle Adjustable Footrest Assembly 14", Ethos <i>Used on 14" wide with 0" taper</i>	1

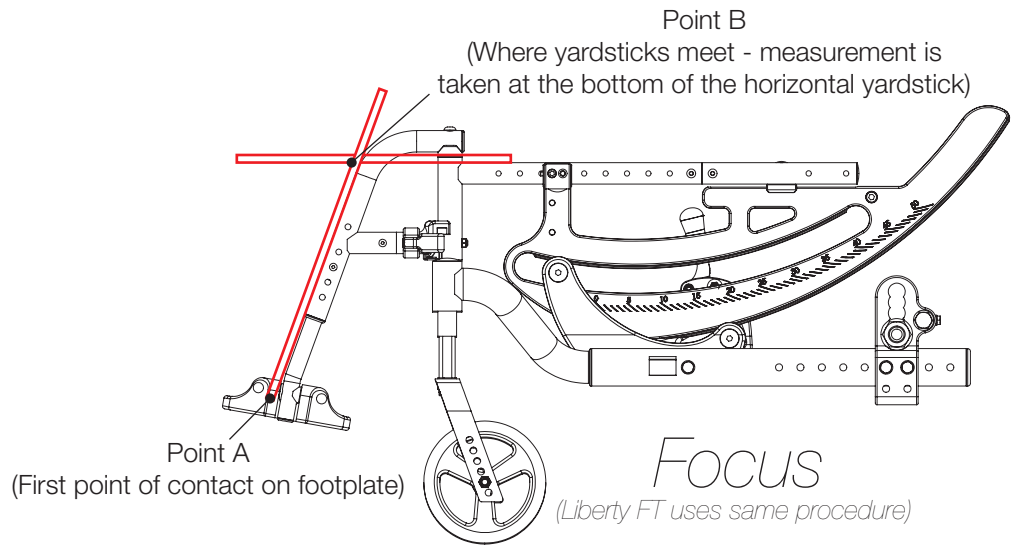
Item Number	Part Number	Description	Quantity
1c, 2e, 3 - 5	109720	Angle Adjustable Footrest Assembly 15", Ethos <i>Used on 15" wide with 0" taper, 16" wide with 1" taper or 18" wide with 2" taper</i>	1
1b, 2d, 3 - 5	109721	Angle Adjustable Footrest Assembly 15", 1" Taper, Ethos <i>Used on 15" wide with 1" taper or 17" wide with 2" taper</i>	1
1d, 2f, 3 - 5	109722	Angle Adjustable Footrest Assembly 16", Ethos <i>Used on 16" wide with 0" taper, 18" wide with 1" taper or 20" wide with 2" taper</i>	1
1d, 2f, 3 - 5	109723	Angle Adjustable Footrest Assembly 17", Ethos <i>Used on 17" wide with 0" taper or 19" wide with 1" taper</i>	1
1c, 2f, 3 - 5	109724	Angle Adjustable Footrest Assembly 17", 1" Taper, Ethos <i>Used on 17" wide with 1" taper or 19" wide with 2" taper</i>	1
1e, 2f, 3 - 5	109725	Angle Adjustable Footrest Assembly 18", Ethos <i>Used on 18" wide with 0" taper or 20" wide with 1" taper</i>	1
1e, 2f, 3 - 5	109726	Angle Adjustable Footrest Assembly 19", Ethos <i>Used on 19" wide with 0" taper</i>	1
1e, 2f, 3 - 5	109727	Angle Adjustable Footrest Assembly 20", Ethos <i>Used on 20" wide with 0" taper</i>	1
1g, 2b, 3 - 5	109728	Angle Adjustable Footrest Assembly Short 12", Ethos <i>Used on 12" wide with 0" taper</i>	1
1f, 2a, 3 - 5	109729	Angle Adjustable Footrest Assembly Short 12", 1" Taper, Ethos <i>Used on 12" wide with 1" taper</i>	1
1g, 2c, 3 - 5	109730	Angle Adjustable Footrest Assembly Short 13", Ethos <i>Used on 13" wide with 0" taper, 14" wide with 1" taper or 16" with 2" taper</i>	1
1f, 2b, 3 - 5	109731	Angle Adjustable Footrest Assembly Short 13", 1" Taper, Ethos <i>Used on 13" wide with 1" taper</i>	1
1h, 2d, 3 - 5	109732	Angle Adjustable Footrest Assembly Short 14", Ethos <i>Used on 14" wide with 0" taper</i>	1
1h, 2e, 3 - 5	109733	Angle Adjustable Footrest Assembly Short 15", Ethos <i>Used on 15" wide with 0" taper, 16" wide with 1" taper or 18" wide with 2" taper</i>	1
1g, 2d, 3 - 5	109734	Angle Adjustable Footrest Assembly Short 15", 1" Taper, Ethos <i>Used on 15" wide with 1" taper or 17" wide with 2" taper</i>	1
1i, 2f, 3 - 5	109735	Angle Adjustable Footrest Assembly Short 16", Ethos <i>Used on 16" wide with 0" taper, 18" wide with 1" taper or 20" wide with 2" taper</i>	1
1i, 2f, 3 - 5	109736	Angle Adjustable Footrest Assembly Short 17", Ethos <i>Used on 17" wide with 0" taper or 19" wide with 1" taper</i>	1

Item Number	Part Number	Description	Quantity
1h, 2f, 3 - 5	109737	Angle Adjustable Footrest Assembly Short 17", 1" Taper, Ethos <i>Used on 17" wide with 1" taper or 19" wide with 2" taper</i>	1
1j, 2f, 3 - 5	109738	Angle Adjustable Footrest Assembly Short 18", Ethos <i>Used on 18" wide with 0" taper or 20" wide with 1" taper</i>	1
1j, 2f, 3 - 5	109739	Angle Adjustable Footrest Assembly Short 19", Ethos <i>Used on 19" wide with 0" taper</i>	1
1j, 2f, 3 - 5	109740	Angle Adjustable Footrest Assembly Short 20", Ethos <i>Used on 20" wide with 0" taper</i>	1
6, 7	501739	Footrest Protector w/ Instructions Kit Left Rigid	1
6, 7	501740	Footrest Protector w/ Instructions Kit Right Rigid	1
6, 7	501741	Footrest Protector w/ Instructions Kit PAIR Rigid	1
1a	003964	Footrest Tube Angle Adjustable 4.65" Rigid <i>Used on 12" - 13" wide with 1" taper</i>	2
1b	000221	Footrest Tube Angle Adjustable 5.6" Rigid <i>Used on 12" - 13" wide with 0" taper, 14" - 15" wide with 1" taper or 16" - 17" wide with 2" taper</i>	2
1c	000222	Footrest Tube Angle Adjustable 6.6" Rigid <i>Used on 14" - 15" wide with 0" taper, 16" - 17" wide with 1" taper or 18" - 19" wide with 2" taper</i>	2
1d	000223	Footrest Tube Angle Adjustable 7.6" Rigid <i>Used on 16" - 17" wide with 0" taper, 18" - 19" wide with 1" taper or 20" wide with 2" taper</i>	2
1e	000224	Footrest Tube Angle Adjustable 8.6" Rigid <i>Used on 18" - 20" wide with 0" taper or 20" wide with 1" taper</i>	2
1f	004374	Footrest Tube Angle Adjustable, Short, 4.65" Rigid <i>Used on 12" - 13" wide with 1" taper</i>	2
1g	004375	Footrest Tube Angle Adjustable, Short, 5.65" Rigid <i>Used on 12" - 13" wide with 0" taper, 14" - 15" wide with 1" taper or 16" - 17" wide with 2" taper</i>	2
1h	005264	Footrest Tube Angle Adjustable, Short, 6.65" Rigid <i>Used on 14" - 15" wide with 0" taper, 16" - 17" wide with 1" taper or 18" - 19" wide with 2" taper</i>	2
1i	005265	Footrest Tube Angle Adjustable, Short, 7.65" Rigid <i>Used on 16" - 17" wide with 0" taper, 18" - 19" wide with 1" taper or 20" wide with 2" taper</i>	2
1j	005266	Footrest Tube Angle Adjustable, Short, 8.65" Rigid <i>Used on 18" - 20" wide with 0" taper or 20" wide with 1" taper</i>	2

Item Number	Part Number	Description	Quantity
2a	000225	Footrest Platform Angle Adjustable 6" <i>Used on 12" wide with 1" taper</i>	1
2b	001322	Footrest Platform Angle Adjustable 7" <i>Used on 12" wide with 0" taper or 13" wide with 1" taper</i>	1
2c	000226	Footrest Platform Angle Adjustable 8" <i>Used on 13" wide with 0" taper, 14" wide with 1" taper or 16" with 2" taper</i>	1
2d	001323	Footrest Platform Angle Adjustable 9" <i>Used on 14" wide with 0" taper, 15" wide with 1" taper or 17" wide with 2" taper</i>	1
2e	000227	Footrest Platform Angle Adjustable 10" <i>Used on 15" wide with 0" taper, 16" wide with 1" taper or 18" wide with 2" taper</i>	1
2f	001319	Footrest Platform Angle Adjustable 12" <i>Used on 16" - 20" wide with 0" taper, 17" - 20" wide with 1" taper or 19" - 20" wide with 2" taper</i>	1
3	100789	Footrest Adjustable Clamp 5"	1
4	100662	M6 x 25 FSHCS BLK ZC	2
5	100658	M6 Nylock Nut Blk Zn	2

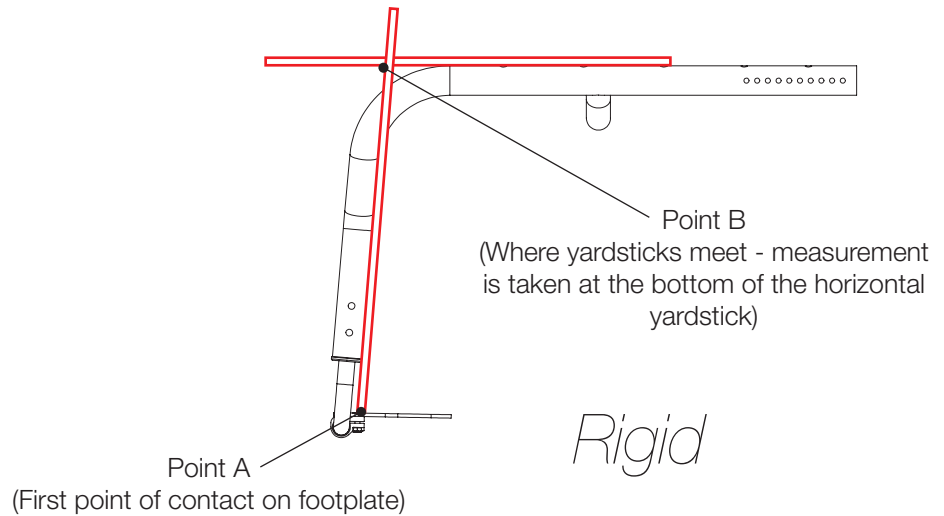
Distance between Point A and Point B = Footplate Length

**NOTE:** The yardstick on the top plane of the seat frame must lie flat against frame. The yardstick going from the footplate to the second yardstick must be square against the hanger tube.



Distance between Point A and Point B = Footplate Length

**NOTE:** The yardstick on the top plane of the seat frame must lie flat against frame. The yardstick going from the footplate to the second yardstick must be square against the front tube.



Distance between Point A and Point B = Footplate Length

**NOTE:** The yardstick on the top plane of the hanger must lie flat against hanger. The yardstick going from the footplate to the second yardstick must be square against the hanger tube.

