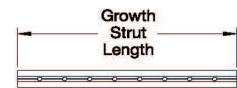
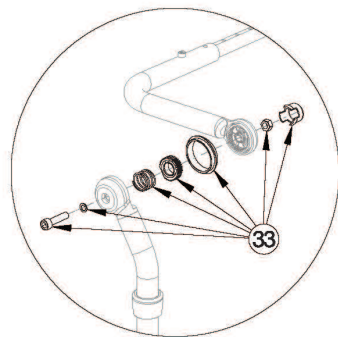
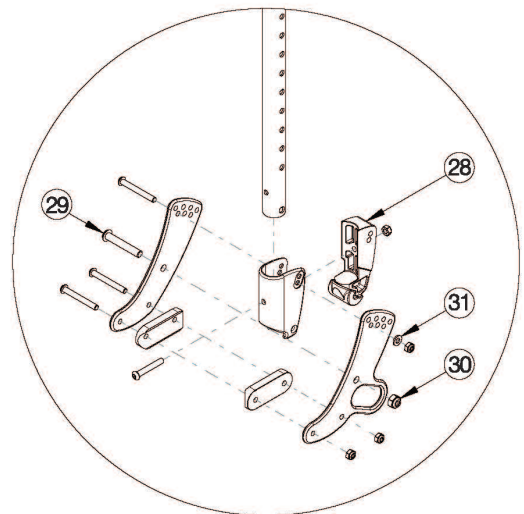
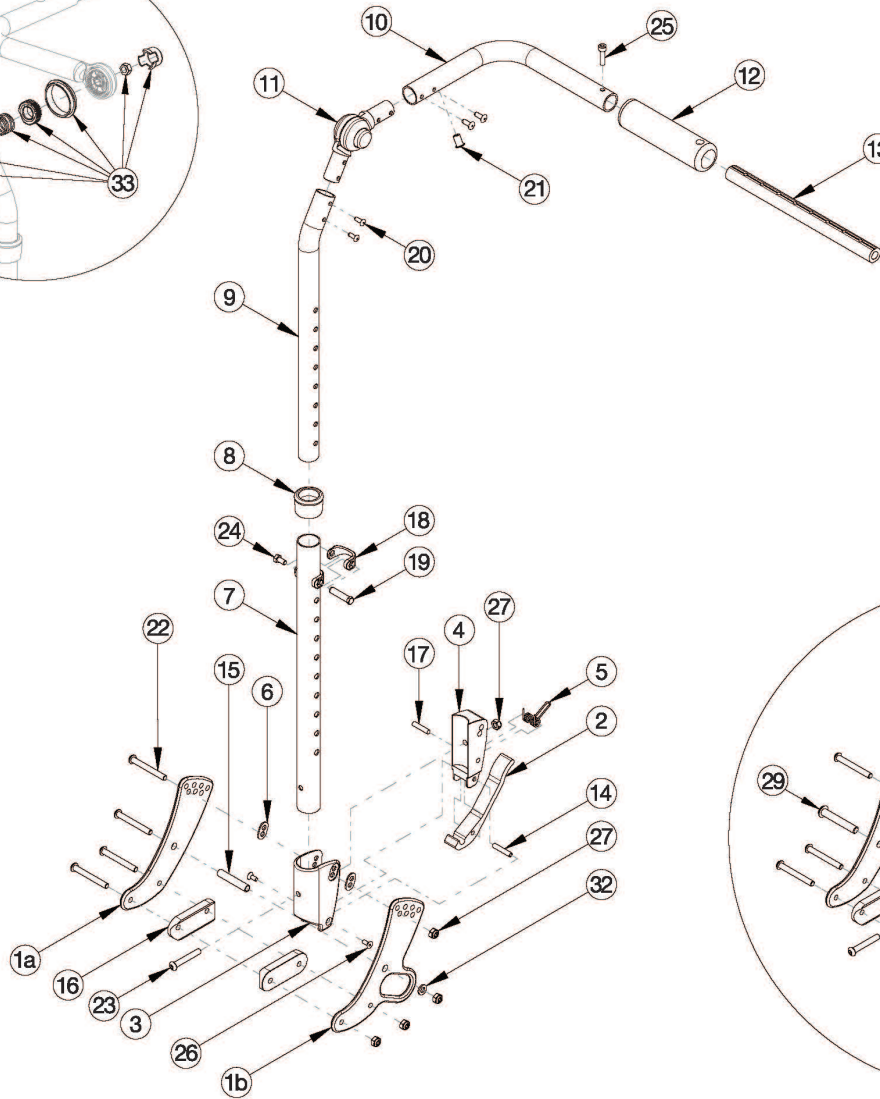


Focus CR Height Adjustable with Adjustable Handle Backrest



Part No.	Growth Range	Used on Widths	Length
002578	14"-20"	14"-17"	8.75"
002579	16"-22"	18"-22"	10.75"
112003	18"-24"	23"-24"	12.75"



Non-Folding

This Focus CR Height Adjustable Backrest is effective starting October 2015 with serial numbers prior to FCR0026599 and FCHD002333, unless a foot tilt or power tilt is present. If foot tilt or power tilt is present, this design effective starting with serial numbers FCR0033747 and FCHD002467. If changing from another style backrest and the hand tilt is present, a new Hand Tilt Cable/Trigger Kit may be required. If retrofitting from a foot tilt or power tilt to hand tilt and serial number is prior to FCR0033747 and FCHD002467, new back cane assemblies are required in addition to the hand tilt mechanism.

Item Number	Part Number	Description	Quantity
2-6, 7a, 8, 14, 17-19, 23, 24, 26, 27	502663	Back Assembly w/Latch Insert Lower Tube Height Adjustable Short Focus/CR45/Flip	1

Item Number	Part Number	Description	Quantity
2-6, 7b, 8, 14, 17-19, 23, 24, 26, 27	502664	Back Assembly w/Latch Insert Lower Tube Height Adjustable Tall Focus/CR45/Flip	1
3, 7a, 8, 18, 19, 24, 28	502673	Lower Tube w/Latch Insert Height Adjustable Back Short Non-Folding Focus/CR45/Flip	1
3, 7b, 8, 18, 19, 24, 28	502674	Lower Tube w/Latch Insert Height Adjustable Back Tall Non-Folding Focus/CR45/Flip	1
9, 10a, 11, 12, 20, 21	502665	Upper Back Tube Assembly Height Adj, Right Focus/Flip <i>Used if foot tilt or power tilt is present and serial number is prior to FCR0033747 and FCHD002467.</i>	1
9, 10b, 11, 12, 20, 21	506758	Upper Back Tube Assembly Height Adjustable, Right Focus <i>Use if hand tilt mechanism is present and the serial number is after FCR0026599 and FCHD002333. If changing to a new hand tilt mechanism and serial number is prior to FCR0026599 and FCHD002333, this kit is required in addition to the hand tilt mechanism. Used if foot tilt or power tilt is present and serial number is or after FCR0033747 and FCHD002467.</i>	1
9, 10a, 11, 12, 20, 21	502666	Upper Back Tube Assembly Height Adj, Left Focus/Flip <i>Used if foot tilt or power tilt is present and serial number is prior to FCR0033747 and FCHD002467.</i>	1
9, 10b, 11, 12, 20, 21	506759	Upper Back Tube Assembly Height Adjustable, Left Focus <i>Use if hand tilt mechanism is present and the serial number is after FCR0026599 and FCHD002333. If changing to a new hand tilt mechanism and serial number is prior to FCR0026599 and FCHD002333, this kit is required in addition to the hand tilt mechanism. Used if foot tilt or power tilt is present and serial number is or after FCR0033747 and FCHD002467.</i>	1
1a, 15, 16, 22, 27, 32	502675	Backrest Hardware Assembly, Single Side, Std Focus	1
1a, 1b, 15, 16, 22, 27, 32	502676	Backrest Hardware Assembly, Single Side, Transit Focus	1
1a, 16, 22, 27, 29-31	503102	Backrest Hardware Assembly, Single Side, Std Non-Folding Focus	1
1a, 1b, 16, 22, 27, 29-31	503103	Backrest Hardware Assembly, Single Side, Transit Non-Folding Focus	1
13a, 25	503107	Growth Strut Assembly Short, Focus/Flip <i>Used on chairs 14"-17" wide</i>	1
13b, 25	503108	Growth Strut Assembly Long, Flip/Focus <i>Used on chairs 18"-22" wide</i>	1
13c, 25	114289	Growth Strut Assembly Extra Long, Focus <i>Used on chairs 23"-24" wide</i>	1
1a	001071	Back Plate Std TILT <i>Quantity of 4 used with non-transit. Quantity of 2 used with transit.</i>	2
1b	001421	Back Plate Transit Inner TILT <i>Quantity of 2 used with transit.</i>	1
2	001893	Latch Lever, Backrest	1

Item Number	Part Number	Description	Quantity
3, 6	503834	Cover Plate, Latch Insert Kit	1
4	001895	Latch Insert, Folding Backrest	1
5	001896	Spring, Backrest Latch	1
6	001897	Washer, Dual, PSA	2
8	001083	Bushing Height Adjustable Back Tilt	1
13a	002578	Growth Strut, Stroller, Short	1
13b	002579	Growth Strut, Stroller, Long	1
13c	112003	Growth Strut, Stroller, Extra Long	1
14	002513	Threaded Barrel, 5mm OD x M4	1
15	002738	Spacer .313 OD x .243 ID x 1.68 long	1
16	002594	Saddle, Dual, 1" OD X 1.75 SP	2
17	102694	Dowel Pin, M5 X 24, Blk Zn	1
18	000988	Fastener Retainer	1
19	000987	Threaded Fastener	1
22	101781	M6 x 50mm Partial Thread BHCS Blk ZC	4
23	100797	M6 x 40 BHCS BLK ZC	1
24	200427	M5 x 10 CLS8.8 HHCS ZC w/Patch DIN933	1
25	101843	M5 x 20 SHCS Blk Zn	1
26	101818	M4 x 10 FHCS BLKZC w/Patch	2
27	100658	M6 Nylock Nut Blk Zn	5
28	002035	Insert, Backrest, Non-Folding	1
29	101815	M8 x 50 BHCS Blk Zn	1
30	100659	M8 Nylock Nut Blk Zn	1
31	100746	M6 Flat Washer Blk Zn	1
32	101861	Nylon Washer 5/16 x 1/2 x .03	1
33	110524	Locking Hinge Button Assembly with Instruction <i>This kit contains the contents inside callout # 11. This assembly may not be compatible if chair was invoiced prior to 6/22/16</i>	1