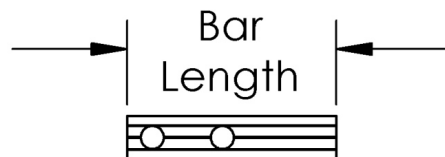
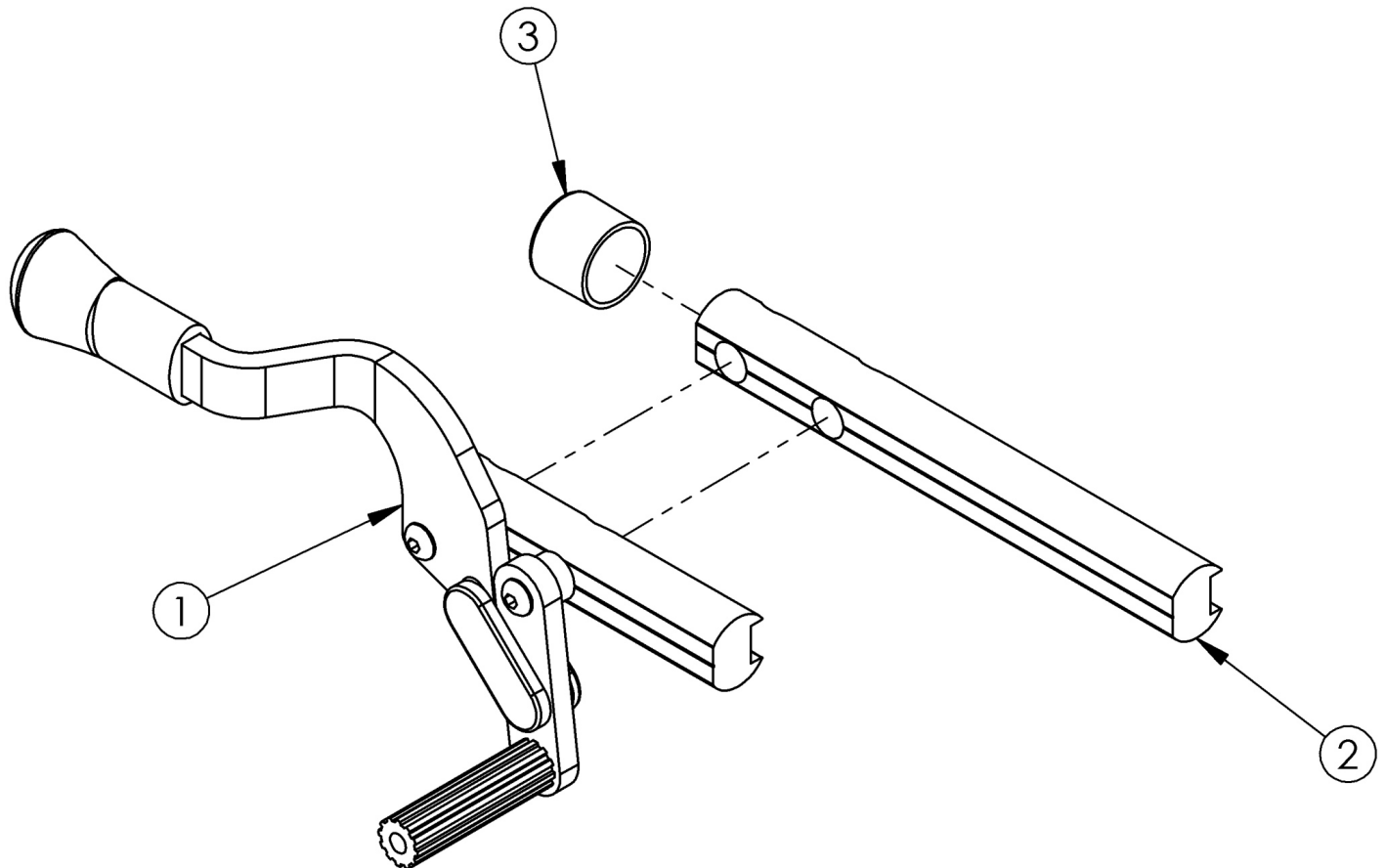


# Clik Push to Lock Flush Mount Wheel Lock



Part #	Bar	Length
N/A	Standard	3.5"
000904	Extended	6.0"

Item Number	Part Number	Description	Quantity	Retail
1a	503828	Wheel Lock Toggle Push Flush, Left w/ Instruction <i>This kit contains 100648 wheel lock along with an instruction for reversing the wheel lock. This wheel lock comes assembled with the standard wheel lock bar.</i>	1	\$39.03
1b	503829	Wheel Lock Toggle Push Flush, Right w/ Instruction <i>This kit contains 100649 wheel lock along with an instruction for reversing the wheel lock. This wheel lock comes assembled with the standard wheel lock bar.</i>	1	\$39.03
2	000904	Extended Wheel Lock Bar	1	\$27.89

Item Number	Part Number	Description	Quantity	Retail
		<i>Used as needed</i>		
3	002835	End Cap Plastic 3/4" <i>Used as needed with Extended Wheel Lock Bar</i>	1	\$0.59