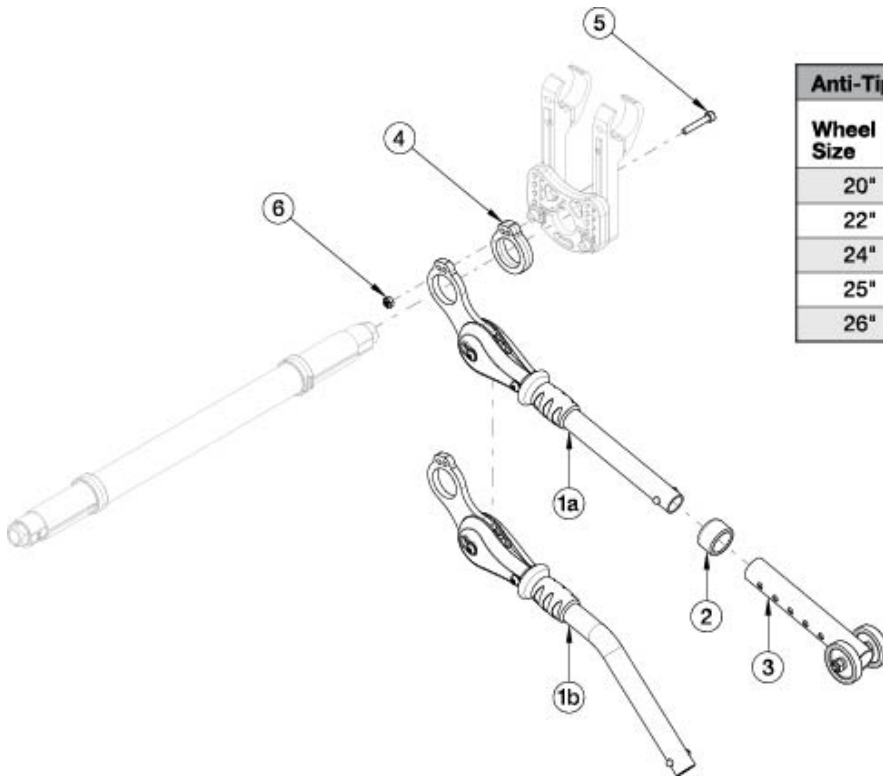


Rogue2 User Activated Anti-Tip



Anti-Tip Assemblies					
Wheel Size	Dump				
	1°	2°	3°	4°	5°
20"	114197	116542	116542	114198	114198
22"	114197	116542	116542	116542	114198
24"	114197	114197	116542	116542	116542
25"	114198*	114197	114197	116542	116542
26"	114197*	114197*	116542*	116542*	116542*

* Requires extended lower assembly 116544

Complete assemblies contain "one" complete user activated anti-tip. Quantity two is required for a pair. A pair of User Activated Anti-Tips is not available if a tipping lever is present

Item Number	Part Number	Description	Quantity
1a, 2, 3a, 4-6	117507	User Anti Tip Complete Assembly, Straight, Rogue2	1
1b, 2, 3a, 4-6	117508	User Anti Tip Complete Assembly, Bent, Rogue2	1
1c, 2, 3a, 4-6	117509	User Anti Tip Complete Assembly, Bent, 15 Degrees, Rogue2	1
1a, 2, 3b, 4-6	117590	User Anti Tip Complete Assembly, X-Large, Straight, Rogue2	1
1b, 2, 3b, 4-6	117591	User Anti Tip Complete Assembly, X-Large, Bent, Rogue2	1
1c, 2, 3b, 4-6	117592	User Anti Tip Complete Assembly, X-Large, Bent, 15 Degrees, Rogue2	1
1a	114198	Anti-Tip Upper Assembly Straight, User Activated, Rogue2	1
1b	114197	Anti-Tip Upper Assembly Bent, User Activated, Rogue2	1
1c	116542	Anti-Tip Upper Assembly Bent, User Activated, 15 Degrees, Rogue2	1
3a	119668	Anti-Tip Lower Assembly <i>Replaces 004691</i>	1
3b	116544	Anti-Tip Lower Assembly X-Large Rogue2 / Rogue ALX	1

Item Number	Part Number	Description	Quantity
2	004306	Anti-Tip Anti Rattle Bushing	1
4	113998	Anti Tip Spacer	1
5	116550	M5 x 0.8 x 30, SHCS CLS 10.9, PT, BLZ, DIN 912	1
6	100657	M5 Nylock Nut Blk Zn	1