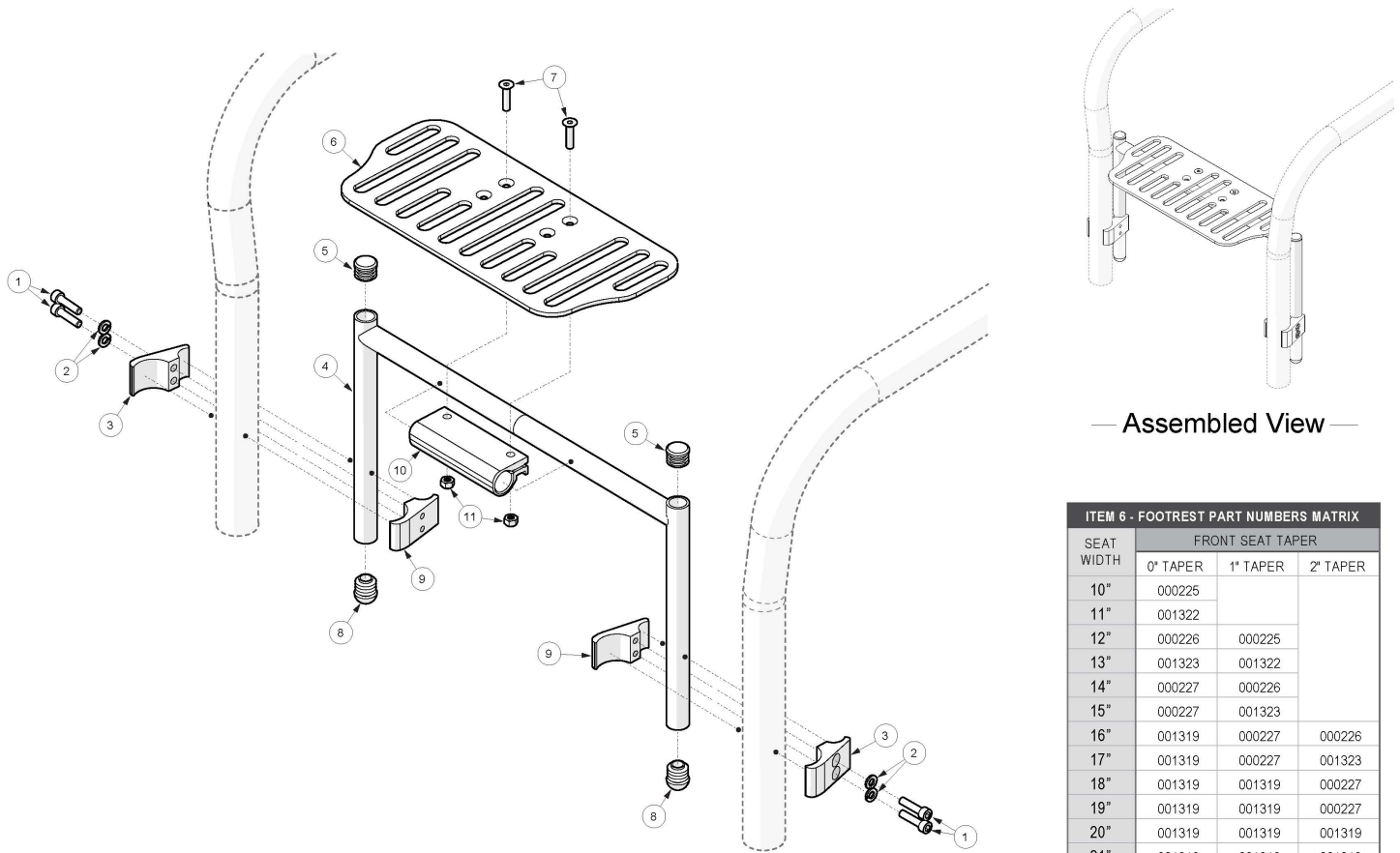


# Rigid High Mount Angle Adjustable Footrest



ITEM 6 - FOOTREST PART NUMBERS MATRIX			
SEAT WIDTH	FRONT SEAT TAPER		
	0" TAPER	1" TAPER	2" TAPER
10"	000225		
11"	001322		
12"	000226	000225	
13"	001323	001322	
14"	000227	000226	
15"	000227	001323	
16"	001319	000227	000226
17"	001319	000227	001323
18"	001319	001319	000227
19"	001319	001319	000227
20"	001319	001319	001319
21"	001319	001319	001319
22"	001319	001319	001319

This Adult Rigid High Mount Angle Adjustable Footrest effective starting with serial numbers TS010953, TSHD003973, TSTR004735, RGXP008523, RGX0020821, and RG0018443 <p>

Not available with Heavy Duty Option

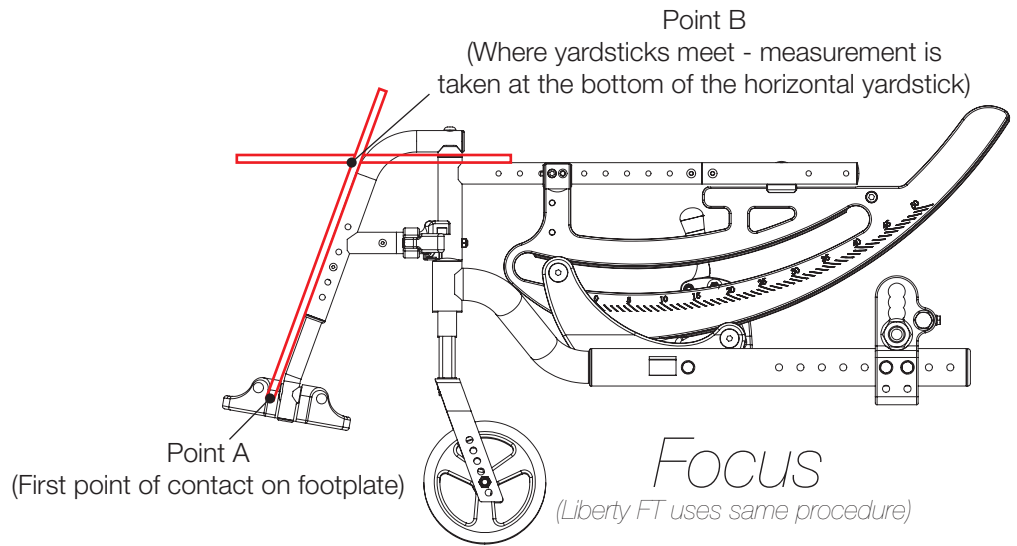
Item Number	Part Number	Description	Quantity	Retail
1 - 3, 4a, 5, 6a, 7 - 11	109755	High Mount Angle Adjustable Footrest Assembly, 10", Rigid <i>Used on 10" wide with 0" taper or 12" wide with 1" taper</i>	1	\$360.01
1 - 3, 4b, 5, 6b, 7 - 11	109756	High Mount Angle Adjustable Footrest Assembly, 11", Rigid <i>Used on 11" wide with 0" taper or 13" wide with 1" taper</i>	1	\$347.70
1 - 3, 4b, 5, 6c, 7 - 11	109757	High Mount Angle Adjustable Footrest Assembly, 12", Rigid <i>Used on 12" wide with 0" taper, 14" wide with 1" taper or 16" wide with 2" taper</i>	1	\$367.16
1 - 3, 4c, 5, 6d, 7 - 11	109758	High Mount Angle Adjustable Footrest Assembly, 13", Rigid <i>Used on 13" wide with 0" taper, 15" wide with 1" taper or 17" wide with 2" taper</i>	1	\$347.70
1 - 3, 4c, 5, 6e, 7 - 11	109759	High Mount Angle Adjustable Footrest Assembly, 14", Rigid <i>Used on 14" wide with 0" taper, 16" wide with 1" taper or 18" wide with 2" taper</i>	1	\$374.31

Item Number	Part Number	Description	Quantity	Retail
1 - 3, 4d, 5, 6e, 7 - 11	109760	High Mount Angle Adjustable Footrest Assembly, 15", Rigid <i>Used on 15" wide with 0" taper, 17" wide with 1" taper or 19" wide with 2" taper</i>	1	\$374.31
1 - 3, 4d, 5, 6f, 7 - 11	109761	High Mount Angle Adjustable Footrest Assembly, 16", Rigid <i>Used on 16" wide with 0" taper, 18" wide with 1" taper or 20" wide with 2" taper</i>	1	\$347.70
1 - 3, 4e, 5, 6f, 7 - 11	109762	High Mount Angle Adjustable Footrest Assembly, 17" - 19", Rigid <i>Used on 17" - 19" wide with 0" taper, 19" - 21" wide with 1" taper or 21" - 22" wide with 2" taper</i>	1	\$347.70
1 - 3, 4f, 5, 6f, 7 - 11	109763	High Mount Angle Adjustable Footrest Assembly, 20", Rigid <i>Used on 20" wide with 0" taper or 22" wide with 1" taper</i>	1	\$347.70
1 - 3, 4g, 5, 6f, 7 - 11	109764	High Mount Angle Adjustable Footrest Assembly, 21" - 22", Rigid <i>Used on 21" - 22" wide with 0" taper</i>	1	\$347.70
1 - 3, 9	109753	High Mount Angle Adjustable Clamp Assembly, Rigid	1	\$33.09
1 - 3, 9	109754	High Mount Angle Adjustable Clamp Assembly, PAIR, Rigid	1	\$66.18
1	100780	M6 x 25 SHCS ZC	4	\$2.10
2	101835	M6 Lock Washer Blk Zn	4	\$0.53
3	000376	Clamp Top 1.375" Rigid	2	\$13.91
4a	002778	Footrest Extension Welded 3.8"	2	\$85.76
4b	002779	Footrest Extension Welded 4.8"	2	\$85.76
4c	002780	Footrest Extension Welded 5.8"	2	\$85.76
4d	002781	Footrest Extension Welded 6.8"	2	\$85.76
4e	002782	Footrest Extension Welded 7.8"	2	\$85.76
4f	002783	Footrest Extension Welded 8.8"	2	\$85.76
4g	002784	Footrest Extension Welded 9.8"	2	\$85.76
5	100638	Tube End Plug 3/4"	2	\$2.10
6a	000225	Footrest Platform Angle Adjustable 6"	1	\$78.61
6b	001322	Footrest Platform Angle Adjustable 7"	1	\$66.30
6c	000226	Footrest Platform Angle Adjustable 8"	1	\$85.76
6d	001323	Footrest Platform Angle Adjustable 9"	1	\$66.30
6e	000227	Footrest Platform Angle Adjustable 10"	1	\$92.91
6f	001319	Footrest Platform Angle Adjustable 12"	1	\$66.30

<b>Item Number</b>	<b>Part Number</b>	<b>Description</b>	<b>Quantity</b>	<b>Retail</b>
7	100662	M6 x 25 FSHCS BLK ZC	2	\$1.58
8	002834	Dome Top Tube End, 3/4"	2	\$2.50
9	000377	Clamp Bottom 1.375" Rigid	2	\$13.91
10	100789	Footrest Adjustable Clamp 5"	1	\$29.23
11	100658	M6 Nylock Nut Blk Zn	2	\$1.05

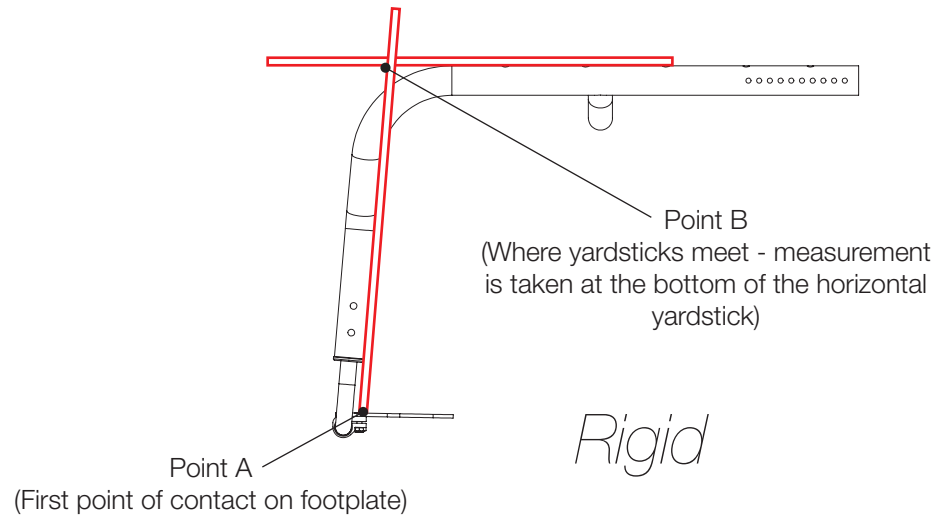
Distance between Point A and Point B = Footplate Length

**NOTE:** The yardstick on the top plane of the seat frame must lie flat against frame. The yardstick going from the footplate to the second yardstick must be square against the hanger tube.



Distance between Point A and Point B = Footplate Length

**NOTE:** The yardstick on the top plane of the seat frame must lie flat against frame. The yardstick going from the footplate to the second yardstick must be square against the front tube.



Distance between Point A and Point B = Footplate Length

**NOTE:** The yardstick on the top plane of the hanger must lie flat against hanger. The yardstick going from the footplate to the second yardstick must be square against the hanger tube.

