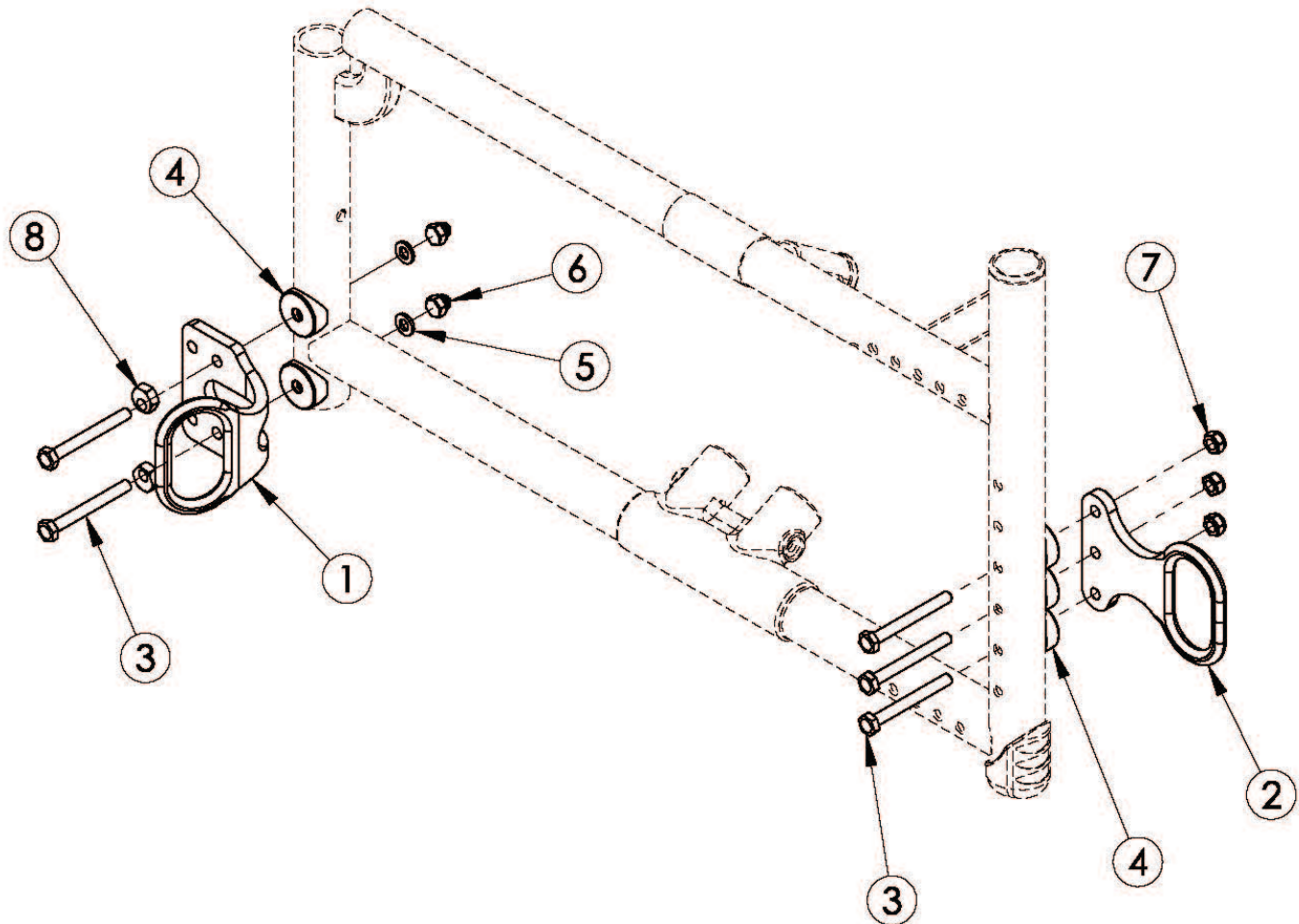


Canada Catalyst 4 Transit



Notice: Chair configuration review required prior to parts being quoted or ordered. Only available in Canada on Catalyst 4. Not available on Catalyst 4C Not available with 250 lb or 350 lb weight capacity Requires Adjustable Axle Plate and Adjustable Axle Plate Rear Frames

Item Number	Part Number	Description	Quantity
1 - 8	111310	Transit Bracket Retrofit Kit for Adjustable Axle Plate, Catalyst 4	1
3a	101826	M6 x 50 HHCS Blk Zn <i>Use quantity 2 if only Transit is present; Use quantity 1 if Transit and Anti-Tip bracket are present</i>	4
3b	100676	M6 x 55 CLS10.9 DIN931 HHCS ZC <i>Use quantity 2 if Transit and Anti-Tip bracket are present. Use quantity 1 if Swing Away Arm bracket, Transit, and Anti-Tip bracket are present</i>	4

Item Number	Part Number	Description	Quantity
3c	100677	M6 x 60 CLS10.9 DIN931 HHCS ZC <i>Used to attach Front Transit Bracket. Use quantity 2 if Transit, Anti-Tip bracket and Swing Away Arm bracket are present</i>	4
4	000056	Saddle 1 1/8"	10
5	100746	M6 Flat Washer Blk Zn	4
6	100558	M6 Nyl Ins Domed Cap L/N Zc	4
7	100658	M6 Nylock Nut Blk Zn	6
8	100510	Eccentric Washer	4