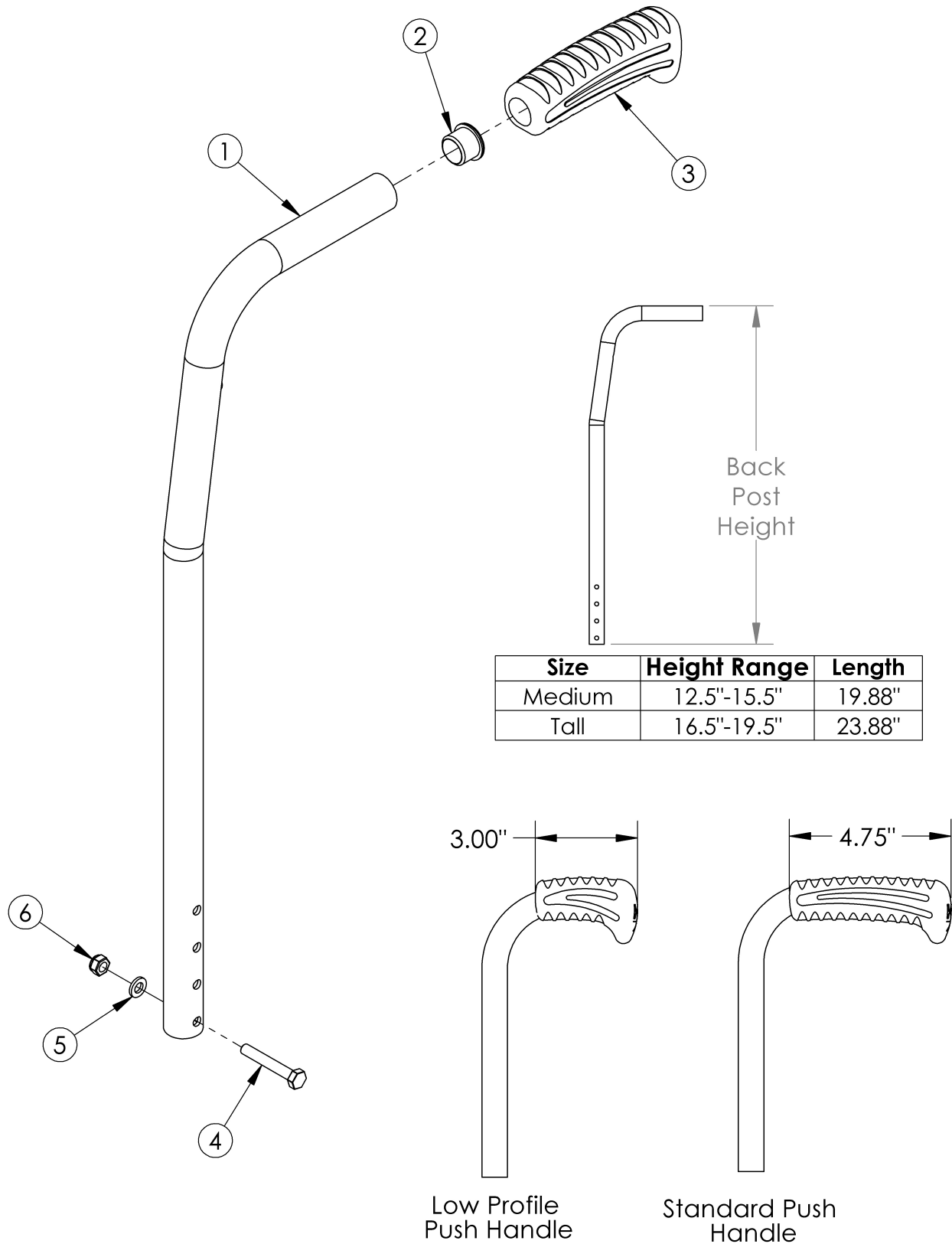


# Catalyst 8 Degree Bend Backrest



Low Profile Push Handles are not available with Heavy Duty Option or Drum Brake <p>

If changing from another style backrest and the Drum Brake is present, a new Drum Brake Cable Kit may be required

Item Number	Part Number	Description	Quantity	Retail
1a, 2, 3a	100721	Back Post Assembly Medium 8° Bend with Standard Push Handle <i>Used if drum brake is not present</i>	1	\$72.60
1b, 2, 3a	500550	Back Post Assembly Tall 8° Bend with Standard Push Handle <i>Used if drum brake is not present</i>	1	\$72.60
1c, 2, 3a	113302	Backtube 8° Bend w/ Push Handle Medium with Backcane Extension, Drum Brake, Catalyst 5/VX <i>Used if drum brake is present. To view the backcane extension included in this kit, see the Catalyst 5 or Catalyst 5VX Drum Brake page.</i>	1	\$59.95
1d, 2, 3a	113303	Backtube 8° Bend w/ Push Handle Tall with Backcane Extension, Drum Brake, Catalyst 5/VX <i>Used if drum brake is present. To view the backcane extension included in this kit, see the Catalyst 5 or Catalyst 5VX Drum Brake page.</i>	1	\$59.95
1a, 2, 3b	002765	Back Post Assembly Medium 8° Bend with Low Profile Push Handle	1	\$72.60
1b, 2, 3b	002766	Back Post Assembly Tall 8° Bend with Low Profile Push Handle	1	\$72.60
2	100803	Tube End Plug 7/8"	1	\$1.58
3a	109433	Ergo Push Handle Grip 7/8" Standard with Instruction	1	\$7.14
3b	109431	Ergo Push Handle Grip 7/8" Low Profile with Instruction	1	\$7.14
4	100681	M6 x 40 CLS8.8 DIN931 HHCS ZC	1	\$1.58
5	100746	M6 Flat Washer Blk Zn	1	\$1.58
6	100658	M6 Nylock Nut Blk Zn	1	\$1.05