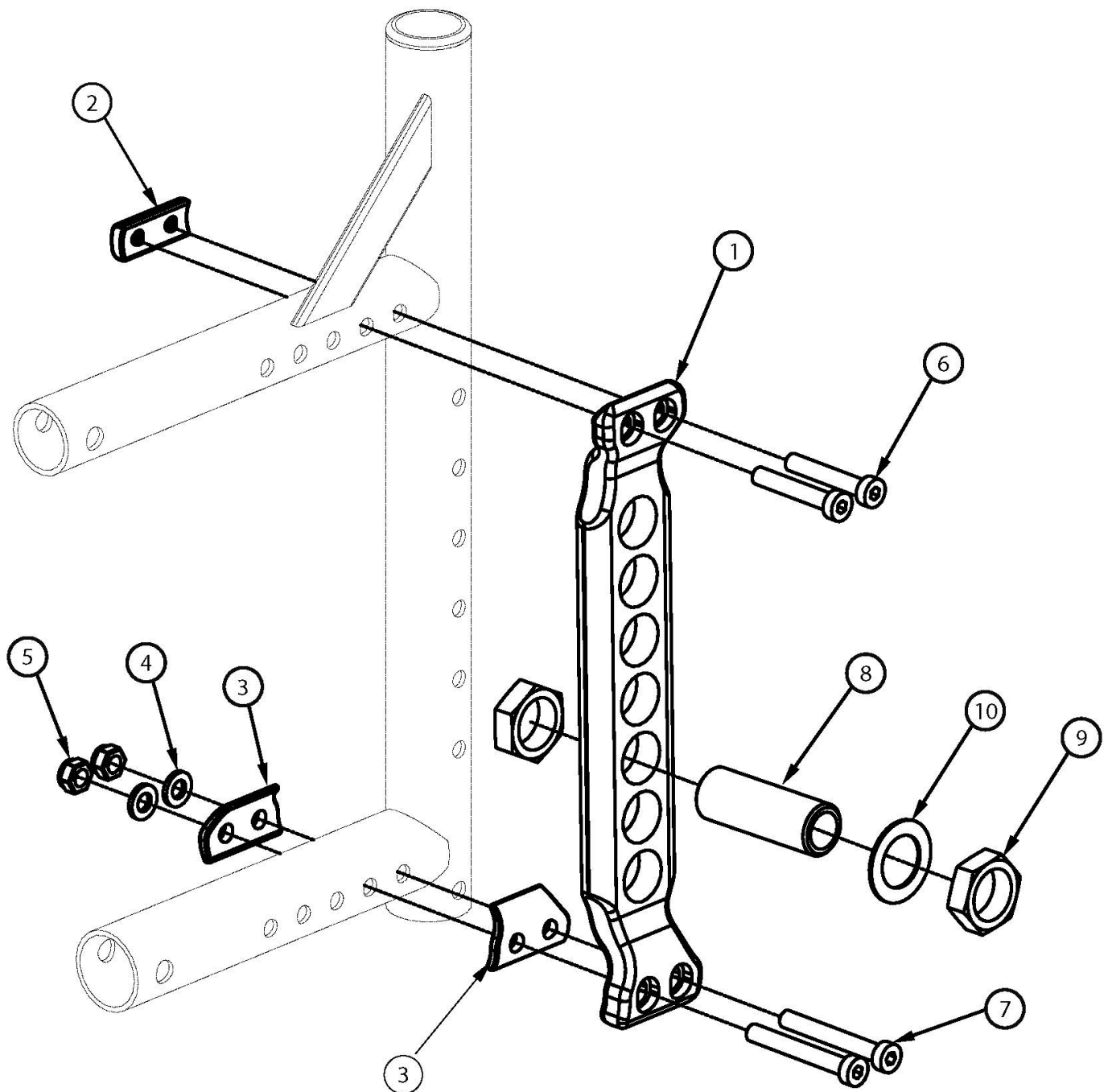


Catalyst 5VX Vertical Axle Plate



This design effective January 22nd, 2018 for most Catalyst 5VX chairs. All Catalyst 5VX chairs received this design February 20th, 2019. Standard Camber will have the camber spacer mounted on the outside of the rear frame. Adjustable Camber will have the camber spacer mounted on the inside of the rear frame for later use. If retrofitting to add camber spacers and the discontinued rear frames and discontinued vertical axle plate are present, new rear frames and new vertical axle plates are required.

Item Number	Part Number	Description	Quantity
1a, 2, 4-6, 7a	506127	Vertical Axle Plate Assembly, Black, 0° Camber <i>This kit is only for one side</i>	1
1b, 2, 4-6, 7a	506127_ _ _	Color Anodized/Color Accent Vertical Axle Plate Assembly, 0° Camber <i>This kit is only for one side</i>	1
1a, 2 - 6, 7b	506128	Vertical Axle Plate Assembly, Black, 1° Camber <i>This kit is only for one side</i>	1
1b, 2 - 6, 7b	506128_ _ _	Color Anodized/Color Accent Vertical Axle Plate Assembly, 1° Camber <i>This kit is only for one side</i>	1
1a, 2 - 6, 7b	506129	Vertical Axle Plate Assembly, Black, 2° Camber <i>This kit is only for one side</i>	1
1b, 2 - 6, 7b	506129_ _ _	Color Anodized/Color Accent Vertical Axle Plate Assembly, 2° Camber <i>This kit is only for one side</i>	1
1a, 2 - 6, 7c	506130	Vertical Axle Plate Assembly, Black, 3° Camber <i>This kit is only for one side</i>	1
1b, 2 - 6, 7c	506130_ _ _	Color Anodized/Color Accent Vertical Axle Plate Assembly, 3° Camber <i>This kit is only for one side</i>	1
1a, 2 - 6, 7c	506131	Vertical Axle Plate Assembly, Black, 4° Camber <i>This kit is only for one side</i>	1
1b, 2 - 6, 7c	506131_ _ _	Color Anodized/Color Accent Vertical Axle Plate Assembly, 4° Camber <i>This kit is only for one side</i>	1
1a, 8a-10	506132	Vertical Axle Plate, Black, with Receiver Assembly 1/2" <i>This kit is only for one side. Used with Quad Quick Release Axles.</i>	1
1b, 8a-10	506132_ _ _	Color Anodized/Color Accent Vertical Axle Plate, with Receiver Assembly 1/2" <i>This kit is only for one side. Used with Quad Quick Release Axles.</i>	1
1a, 8b-10	117102	Vertical Axle Plate, Black, with Receiver Assembly 2.5" <i>This kit is only for one side. Used with Quick Release and Fixed Axles</i>	1
1b, 8b-10	117102_ _ _	Color Anodized/Color Accent Vertical Axle Plate, with Receiver Assembly 2.5" <i>This kit is only for one side. Used with Quick Release and Fixed Axles.</i>	1
8a-10	114172	Axle Receiver Assembly, Catalyst 5Vx <i>This kit is only for one side. Used with Quad Quick Release Axles</i>	1
8b-10	117101	Axle Receiver Assembly, Catalyst 5Vx & E <i>This kit is only for one side. Used with Quick Release and Fixed Axles.</i>	1
1a	003519INST	VX Axle Plate Black with Instruction	1

Item Number	Part Number	Description	Quantity
1b	506281_ _ _	Color Anodized/Color Accent VX Axle Plate with Instruction	1
2	003520	Threaded Axle Nut Plate	1
3	003521	1 Degree Camber Spacer <i>Use Qty 1 per each 1° of camber</i>	1
4	100746	M6 Flat Washer Blk Zn	2
5	100658	M6 Nylock Nut Blk Zn	2
6	103370	M6 x 35 Low SHCS BLK ZC w/Patch	2
7a	101123	M6 x 45 Low SHCS BLK ZC <i>Used with 0° camber</i>	2
7b	101124	M6 x 50 Low SHCS BLK ZC <i>Used with 1° or 2° camber</i>	2
7c	103371	M6 x 60 CLS8.8 DIN7984 Low SHCS BLKZC <i>Used with 3° or 4° camber</i>	2
8a	100756	Axle Receiver 1/2" Diameter <i>Used with Quad Quick Release Axles</i>	1
8b	114480	Axle Receiver, 2.5" Length <i>Used with Quick Release and Fixed Axles</i>	1
9	100514	Axle Receiver Nut M18 x D12 x 8mm	2
10	100583	Axle Plate Washer 18mm	1

Color Anodizing Samples

