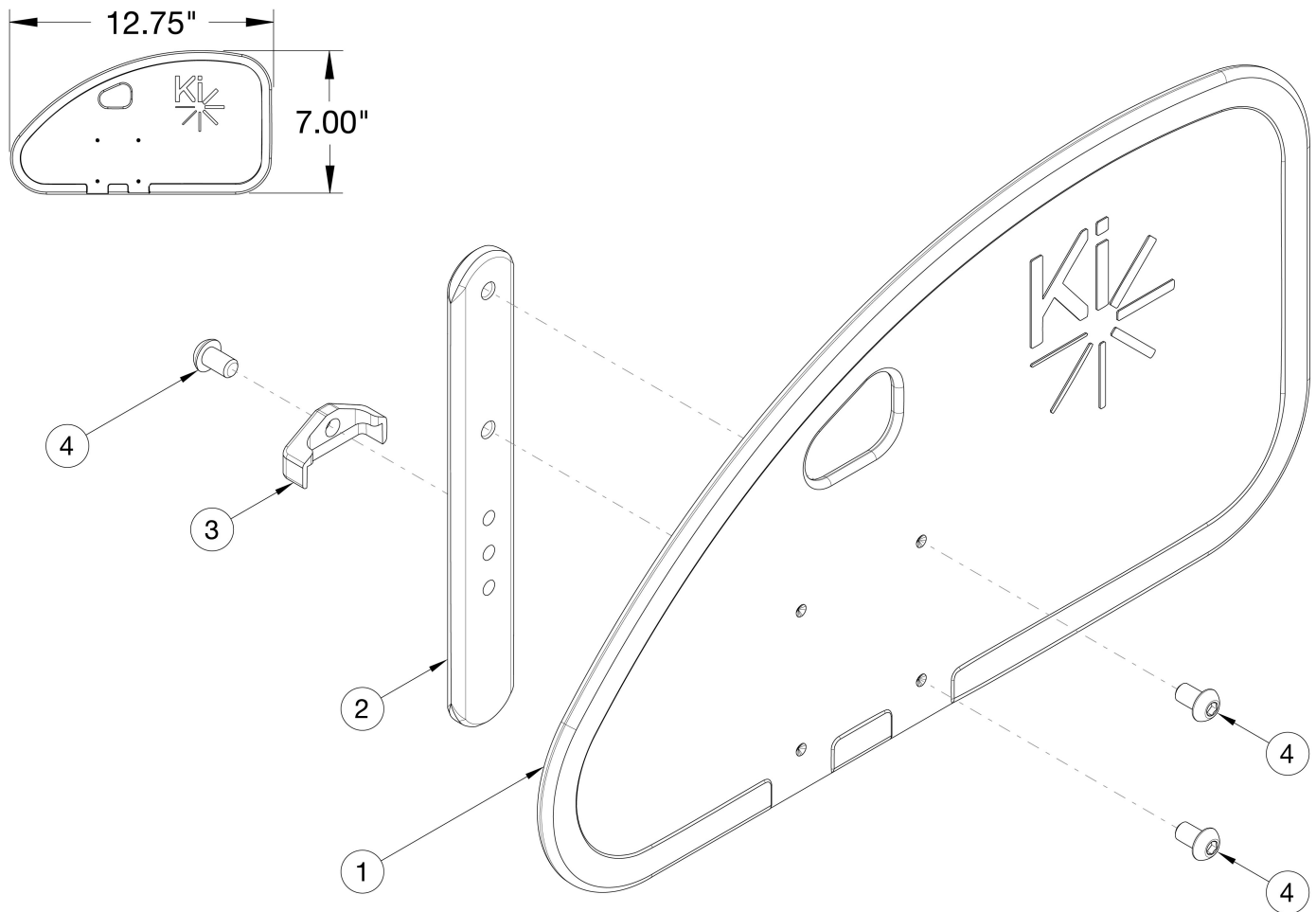


# CR45 Removable Adult Composite Side Guard



Item Number	Part Number	Description	Quantity
1 - 4	112578	Side Guard Assembly, Rear Drilled, Left <i>Used on all configurations of tilt chairs.</i>	1
1 - 4	112579	Side Guard Assembly, Rear Drilled, Right <i>Used on all configurations of tilt chairs.</i>	1
1 - 4	112580	Side Guard Assembly, Rear Drilled, PAIR <i>Used on all configurations of tilt chairs.</i>	1
1	112574	Side Guard Panel Rear Drilled	1
2	000140	Side Guard Post	1
3	001342	Side Guard Post Stop	1
4	101184	M6 x 10 BTN SHCS BLKZC w/Patch	3