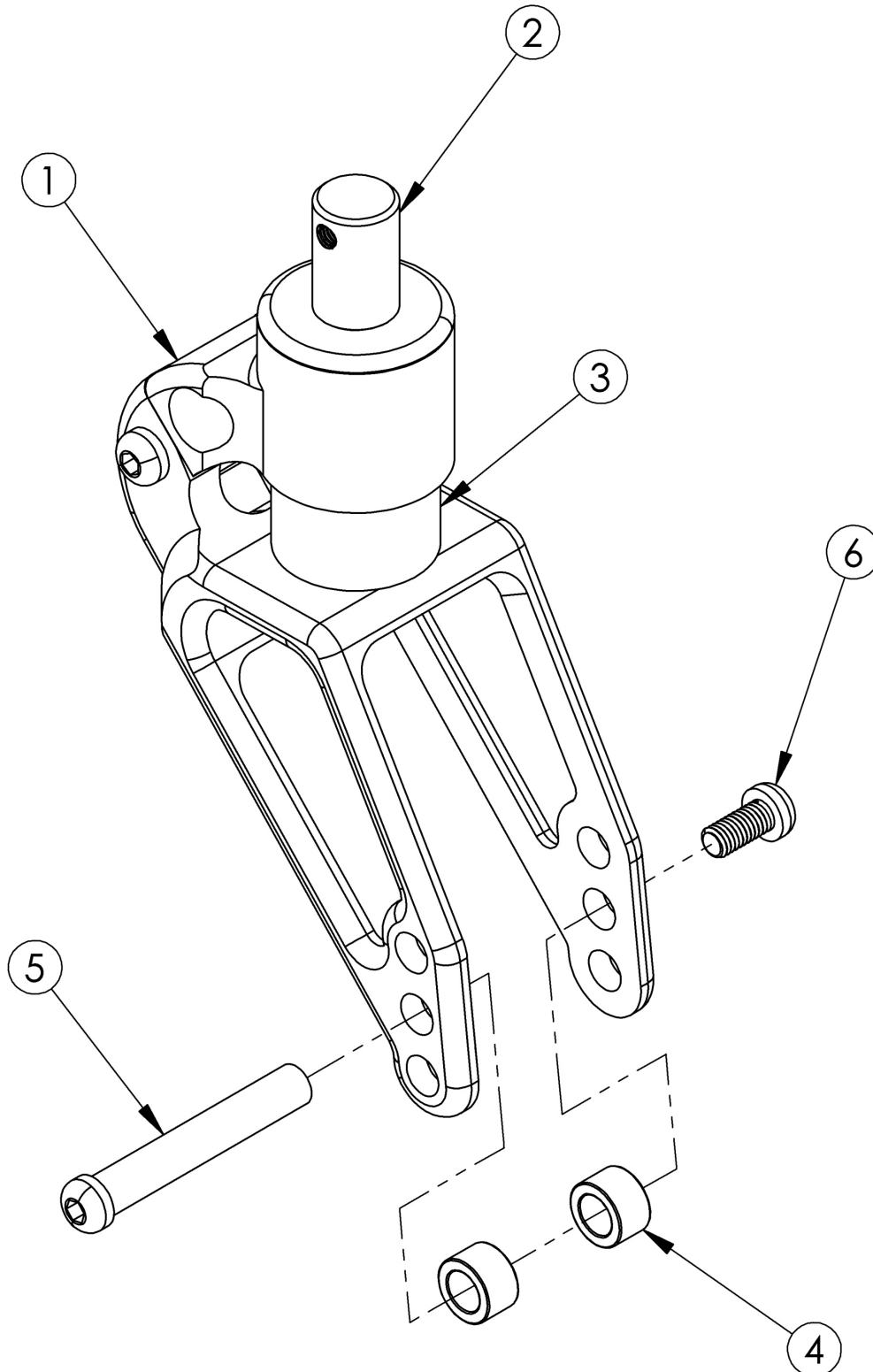


Rogue / Clik / Ethos Frog Legs Suspension Fork (Ultra-Sport Fork)



If retro-fitting to this fork on Ethos, new caster sleeves may be required and a new front base frame is required.

Item Number	Part Number	Description	Quantity
1, 2, 4-6	102312	Frog Legs Suspension Fork/Stem, Rogue/Clik/Ethos	1
4-6	103201	Frog Legs Suspension Axle w/Hdwre PAIR, RG/Clik/Ethos <i>This hardware may incur a longer lead time</i>	1
3a	105053	Frog Legs Polymer < 80lbs	1
3b	105054	Frog Legs Polymer 80 - 120lbs	1
3c	105055	Frog Legs Polymer 120 - 160lbs	1
3d	105056	Frog Legs Polymer 160 - 220lbs	1
3e	105057	Frog Legs Polymer 220 - 260lbs	1
3f	105058	Frog Legs Polymer 260 - 300lbs	1

Ethos Reference: Caster and Fork Changes

When making changes to fork style, fork size and/or caster size use the chart below to determine if and what additional parts are required. The reference chart identifies the caster sleeve used to square the casters post configuration change and the necessary fork hole position required to maintain front seat height.

NOTE: Ethos ships in its original configuration from Ki Mobility with a zero degree caster sleeve. The rear base frame of Ethos should always be parallel to the ground.

ANGLE OF CASTER SLEEVE REQUIRED

FORK		NEW OPTION																			
		STD	STD	STD	STD	SINGLE SIDED	SINGLE SIDED	SINGLE SIDED	SINGLE SIDED	FROG LEG	FROG LEG	FROG LEG	FROG LEG	FROG PHASE 2	FROG PHASE 2	FROG PHASE 2	FROG PHASE 2	SINGLE SIDED XSHORT	SINGLE SIDED XSHORT	SINGLE SIDED XSHORT	
CASTER DIAMETER		3	4	5	6	3	4	5	6	3	4	5	6	3	4	5	6	3	4	5	
OLD OPTION	STD	3	0 7B	0 7C	2 7C	N/A	2 7B	2 7C	3 7C	N/A	3 7B	3 7C	N/A	N/A	3 7C	3 7T	N/A	N/A	1 7B	1 7B	3 7B
	STD	4	0 7B	0 7C	2 7C	N/A	2 7B	2 7C	3 7C	N/A	3 7B	3 7C	N/A	N/A	3 7C	3 7T	N/A	N/A	1 7B	1 7B	3 7B
	STD	5	2 7B	2 7C	0 7C	3 7B	0 7B	0 7C	2 7C	N/A	2 7B	2 7C	3 7C	N/A	3 7B	3 7C	N/A	N/A	3 7B	1 7B	1 7B
	STD	6	N/A	3 7B	3 7C	0 7B	3 7B	3 7C	2 7C	2 7B	2 7B	2 7C	0 7C	3 7B	0 7B	0 7C	2 7C	N/A	N/A	N/A	3 7B
	SINGLE SIDED	3	2 7B	2 7C	0 7C	3 7B	0 7B	0 7C	2 7C	N/A	2 7B	2 7C	3 7C	N/A	3 7B	3 7C	N/A	N/A	3 7B	1 7B	1 7B
	SINGLE SIDED	4	2 7B	2 7C	0 7C	3 7B	0 7B	0 7C	2 7C	N/A	2 7B	2 7C	3 7C	N/A	3 7B	3 7C	N/A	N/A	3 7B	1 7B	1 7B
	SINGLE SIDED	5	3 7B	3 7C	2 7C	2 7B	2 7B	2 7C	0 7C	3 7B	0 7B	0 7C	2 7C	N/A	2 7B	2 7C	3 7C	N/A	N/A	3 7B	1 7B
	SINGLE SIDED	6	N/A	N/A	3 7B	2 7B	N/A	3 7B	3 7C	0 7B	3 7B	3 7C	2 7C	2 7B	2 7B	2 7C	0 7C	3 7B	N/A	N/A	N/A
	FROG LEG	3	3 7B	3 7C	2 7C	2 7B	2 7B	2 7C	0 7C	3 7B	0 7B	0 7C	2 7C	N/A	2 7B	2 7C	3 7C	N/A	N/A	3 7B	1 7B
	FROG LEG	4	3 7B	3 7C	2 7C	2 7B	2 7B	2 7C	0 7C	3 7B	0 7B	0 7C	2 7C	N/A	2 7B	2 7C	3 7C	N/A	N/A	3 7B	1 7B
	FROG LEG	5	N/A	3 7B	3 7C	0 7B	3 7B	3 7C	2 7C	2 7B	2 7B	2 7C	0 7C	3 7B	0 7B	0 7C	2 7C	N/A	N/A	N/A	3 7B
	FROG LEG	6	N/A	N/A	N/A	3 7B	N/A	N/A	3 7B	2 7B	N/A	3 7B	3 7C	0 7B	3 7B	3 7C	2 7C	2 7B	N/A	N/A	N/A
	FROG PHASE 2	3	N/A	3 7B	3 7C	0 7B	3 7B	3 7C	2 7C	2 7B	2 7B	2 7C	0 7C	3 7B	0 7B	0 7C	2 7C	N/A	N/A	N/A	3 7B
	FROG PHASE 2	4	N/A	3 7B	3 7C	0 7B	3 7B	3 7C	2 7C	2 7B	2 7B	2 7C	0 7C	3 7B	0 7B	0 7C	2 7C	N/A	N/A	N/A	3 7B
	FROG PHASE 2	5	N/A	N/A	3 7B	2 7B	N/A	3 7B	3 7C	0 7B	3 7B	3 7C	2 7C	2 7B	2 7B	2 7C	0 7C	3 7B	N/A	N/A	N/A
	FROG PHASE 2	6	N/A	N/A	N/A	N/A	N/A	N/A	N/A	3 7B	N/A	N/A	3 7B	2 7B	N/A	3 7B	3 7C	0 7B	N/A	N/A	N/A
	SINGLE SIDED XSHORT	3	1 7B	1 7C	3 7C	N/A	3 7B	3 7B	N/A	N/A	3 7C	3 7T	N/A	N/A	N/A	N/A	N/A	N/A	0 7B	2 7B	3 7B
	SINGLE SIDED XSHORT	4	1 7B	1 7C	1 7C	N/A	1 7B	1 7B	3 7B	N/A	3 7B	N/A	N/A	N/A	3 7C	3 7T	N/A	N/A	2 7B	0 7B	2 7B
	SINGLE SIDED XSHORT	5	3 7B	3 7C	1 7C	3 7B	1 7B	1 7B	1 7B	N/A	1 7B	1 7C	3 7C	N/A	3 7B	3 7C	N/A	N/A	3 7B	2 7B	0 7B

Key	
N/A	Change cannot be accommodated using just a caster sleeve. Please contact customer service to process this order.
B	Bottom fork hole.
C	Center fork hole.
T	Top fork hole.