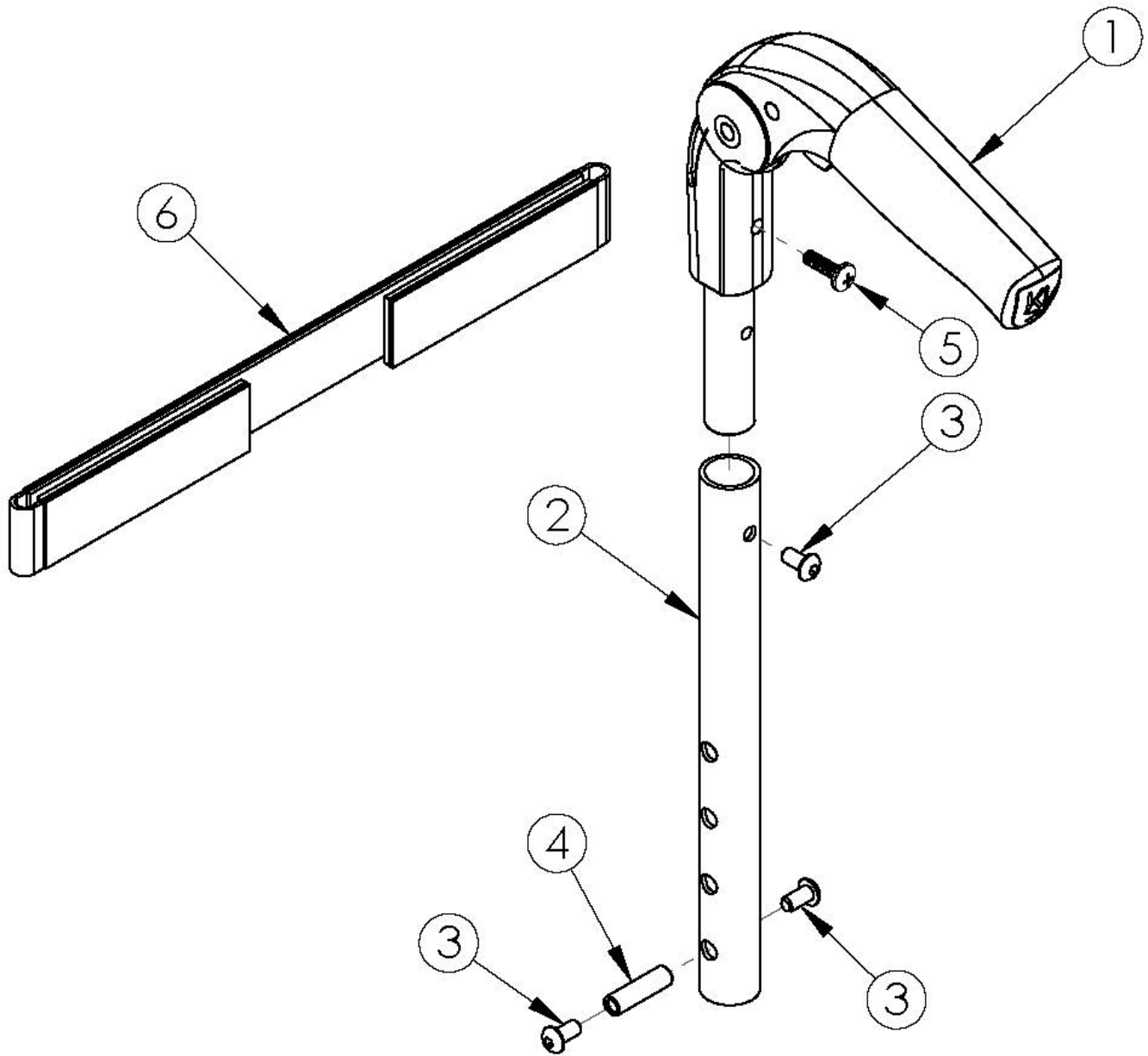


Rigid Fold Down Push Handle



Tension Straps are used with the combination of Fold Down Push Handle Tension Adjustable or Padded Velcro Adjustable Back Upholstery. Straps are based on chair width. Not available with Heavy Duty Option

Item Number	Part Number	Description	Quantity
1, 2a, 3, 4, 5	110667	Fold Down Push Handle Assembly, 6.38", RG ALX/LW XP <i>Used with fixed height backrest with any back height or with height adjustable backrest with short back height range. Includes both 5a and 5b.</i>	1
1, 2b, 3, 4, 5	110668	Fold Down Push Handle Assembly, 6.55", RG ALX/LW XP <i>Used with height adjustable backrest with medium back height range. Included both 5a and 5b.</i>	1
1, 2c, 3, 4, 5	110669	Fold Down Push Handle Assembly, 10.55", RG ALX/LW XP <i>Used with height adjustable backrest with tall back height range. Includes both 5a and 5b.</i>	1
1	001735	Folding Handle Assembly Rigid <i>This is to replace an existing Fold Down Push Handle. If wanting to change to the Fold Down Push Handle, order one of the following complete assemblies: 110667, 110668, 110669</i>	1
2a	001754	Fold Down Push Handle Tube, 6.38", Rigid <i>Used with fixed height backrest with any back height or with height adjustable backrest with short back height range</i>	1
2b	109097	Fold Down Push Handle Tube, 6.55", Rigid <i>Used with height adjustable backrest with medium back height range</i>	1
2c	109098	Fold Down Push Handle Tube, 10.55", Rigid <i>Used with height adjustable backrest with tall back height range</i>	1
3	100669	M5 x 10 BTN SHCS BLKZC w/Patch	3
4	000073	M5 x 24 Threaded Barrel	1
5a	100734	M5 x 16 PHMS ZC <i>Used to attach Fold Down Push Handle</i>	1
5b	101843	M5 x 20 SHCS Blk Zn <i>Used to attach upholstery</i>	1
6a	001748	Tension Strap Folding Handle 9-11 Wide	1
6b	001749	Tension Strap Folding Handle 12-13 Wide	1
6c	001750	Tension Strap Folding Handle 14-15 Wide	1
6d	001751	Tension Strap Folding Handle 16-17 Wide	1
6e	001752	Tension Strap Folding Handle 18-19 Wide	1
6f	001753	Tension Strap Folding Handle 20-22 Wide	1