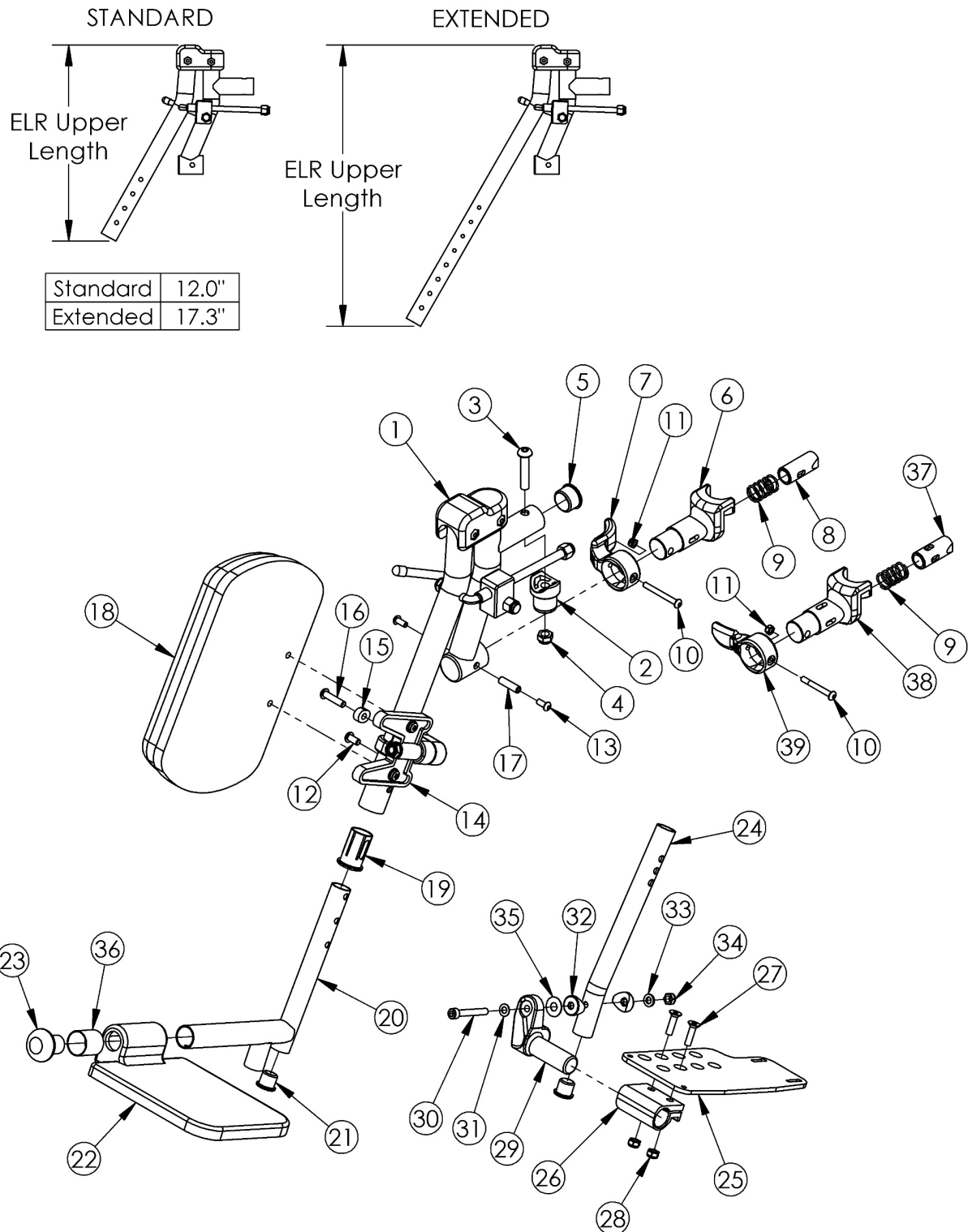


# Catalyst 4 Elevating Leg Rest - Complete Assemblies

## (Discontinued)



Item Number	Part Number	Description	Quantity
1a, 1b, 2-17, 18a, 19, 20b, 21, 22b, 23	500556	ELR Assembly 17-22 Large Composite Footplate Long Ext, Classic Release, PAIR	1
1a, 2-17, 18a, 19, 20b, 21, 22b, 23	500563	ELR Assembly 17-22 Large Composite Footplate Long Ext, Classic Release, Right	1
1b, 2-17, 18a, 19, 20a, 21, 22b, 23	500568	ELR Assembly 17-22 Large Composite Footplate Short Ext, Classic Release, Left	1
1b, 2-17, 18a, 19, 20b, 21, 22b, 23	500569	ELR Assembly 17-22 Large Composite Footplate Long Ext, Classic Release, Left	1
1a, 1b, 2-17, 18b, 19, 21, 24b, 25a, 25b, 26-35	501040	ELR Assembly 14 Angle Adj Footplate Long Ext, Classic Release, PAIR	1
1a, 1b, 2-17, 18b, 19, 21, 24a, 25a, 25b, 26-35	501041	ELR Assembly 14 Angle Adj Footplate Short Ext, Classic Release, PAIR	1
1a, 1b, 2-17, 18a, 19, 21, 24b, 25a, 25b, 26-35	500570	ELR Assembly 15 Angle Adj Footplate Long Ext, Classic Release, PAIR	1
1a, 1b, 2-17, 18a, 19, 21, 24a, 25a, 25b, 26-35	500571	ELR Assembly 15 Angle Adj Footplate Short Ext, Classic Release, PAIR	1
1a, 1b, 2-17, 18a, 19, 21, 24b, 25c, 25d, 26-35	500572	ELR Assembly 16-17 Angle Adj Footplate Long Ext, Classic Release, PAIR	1
1a, 1b, 2-17, 18a, 19, 21, 24a, 25c, 25d, 26-35	500573	ELR Assembly 16-17 Angle Adj Footplate Short Ext, Classic Release, PAIR	1
1a, 1b, 2-17, 18a, 19, 21, 24b, 25e, 25f, 26-35	500574	ELR Assembly 18-22 Angle Adj Footplate Long Ext, Classic Release, PAIR	1
1a, 1b, 2-17, 18a, 19, 21, 24a, 25e, 25f, 26-35	500575	ELR Assembly 18-22 Angle Adj Footplate Short Ext, Classic Release, PAIR	1
1a, 2-17, 18b, 19, 21, 24b, 25a, 26-28, 29a, 30-35	501042	ELR Assembly 14 Angle Adj Footplate Long Ext, Classic Release, Right	1
1a, 2-17, 18b, 19, 21, 24a, 25a, 26-28, 29a, 30-35	501043	ELR Assembly 14 Angle Adj Footplate Short Ext, Classic Release, Right	1
1a, 2-17, 18a, 19, 21, 24b, 25a, 26-28, 29a, 30-35	500576	ELR Assembly 15 Angle Adj Footplate Long Ext, Classic Release, Right	1

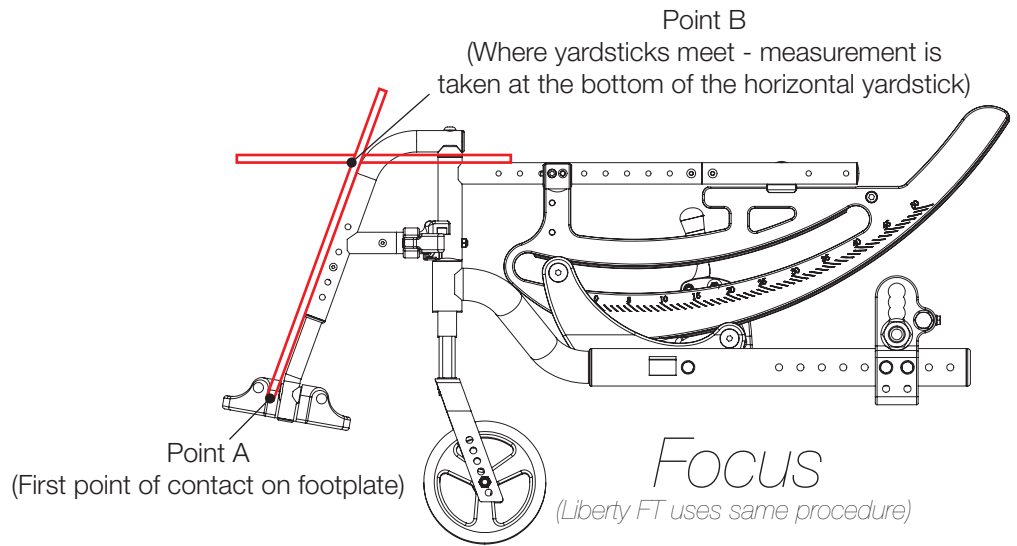
Item Number	Part Number	Description	Quantity
1a, 2-17, 18a, 19, 21, 24a, 25a, 26-28, 29a, 30-35	500577	ELR Assembly 15 Angle Adj Footplate Short Ext, Classic Release, Right	1
1a, 2-17, 18a, 19, 21, 24b, 25c, 26-28, 29a, 30-35	500578	ELR Assembly 16-17 Angle Adj Footplate Long Ext, Classic Release, Right	1
1a, 2-17, 18a, 19, 21, 24a, 25c, 26-28, 29a, 30-35	500579	ELR Assembly 16-17 Angle Adj Footplate Short Ext, Classic Release, Right	1
1a, 2-17, 18a, 19, 21, 24b, 25e, 26-28, 29a, 30-35	500580	ELR Assembly 18-22 Angle Adj Footplate Long Ext, Classic Release, Right	1
1a, 2-17, 18a, 19, 21, 24a, 25e, 26-28, 29a, 30-35	500581	ELR Assembly 18-22 Angle Adj Footplate Short Ext, Classic Release, Right	1
1b, 2-17, 18b, 19, 21, 24b, 25b, 26-28, 29b, 30-35	501044	ELR Assembly 14 Angle Adj Footplate Long Ext, Classic Release, Left	1
1b, 2-17, 18b, 19, 21, 24a, 25b, 26-28, 29b, 30-35	501045	ELR Assembly 14 Angle Adj Footplate Short Ext, Classic Release, Left	1
1b, 2-17, 18a, 19, 21, 24b, 25b, 26-28, 29b, 30-35	500582	ELR Assembly 15 Angle Adj Footplate Long Ext, Classic Release, Left	1
1b, 2-17, 18a, 19, 21, 24a, 25b, 26-28, 29b, 30-35	500583	ELR Assembly 15 Angle Adj Footplate Short Ext, Classic Release, Left	1
1b, 2-17, 18a, 19, 21, 24b, 25d, 26-28, 29b, 30-35	500584	ELR Assembly 16-17 Angle Adj Footplate Long Ext, Classic Release, Left	1
1b, 2-17, 18a, 19, 21, 24a, 25d, 26-28, 29b, 30-35	500585	ELR Assembly 16-17 Angle Adj Footplate Short Ext, Classic Release, Left	1
1b, 2-17, 18a, 19, 21, 24b, 25f, 26-28, 29b, 30-35	500586	ELR Assembly 18-22 Angle Adj Footplate Long Ext, Classic Release, Left	1
1b, 2-17, 18a, 19, 21, 24a, 25f, 26-28, 29b, 30-35	500587	ELR Assembly 18-22 Angle Adj Footplate Short Ext, Classic Release, Left	1
1c, 1d, 2-17, 18a, 19, 20b, 21, 22b, 23	501563	Extended Length ELR Assembly 17-22 Large Composite Footplate Long Ext, Classic Release, PAIR	1
1c, 2-17, 18a, 19, 20b, 21, 22b, 23	501570	Extended Length ELR Assembly 17-22 Large Composite Footplate Long Ext, Classic Release, Right	1

Item Number	Part Number	Description	Quantity
1d, 2-17, 18a, 19, 20b, 21, 22b, 23	501576	Extended Length ELR Assembly 17-22 Large Composite Footplate Long Ext, Classic Release, Left	1
1c, 1d, 2-17, 18b, 19, 21, 24b, 25a, 25b, 26-35	501577	Extended Length ELR Assembly 14 Angle Adj Footplate Long Ext, Classic Release, PAIR	1
1c, 1d, 2-17, 18b, 19, 21, 24a, 25a, 25b, 26-35	501578	Extended Length ELR Assembly 14 Angle Adj Footplate Short Ext, Classic Release, PAIR	1
1c, 1d, 2-17, 18a, 19, 21, 24b, 25a, 25b, 26-35	501579	Extended Length ELR Assembly 15 Angle Adj Footplate Long Ext, Classic Release, PAIR	1
1c, 1d, 2-17, 18a, 19, 21, 24a, 25a, 25b, 26-35	501580	Extended Length ELR Assembly 15 Angle Adj Footplate Short Ext, Classic Release, PAIR	1
1c, 1d, 2-17, 18a, 19, 21, 24b, 25c, 25d, 26-35	501581	Extended Length ELR Assembly 16-17 Angle Adj Footplate Long Ext, Classic Release, PAIR	1
1c, 1d, 2-17, 18a, 19, 21, 24a, 25c, 25d, 26-35	501582	Extended Length ELR Assembly 16-17 Angle Adj Footplate Short Ext, Classic Release, PAIR	1
1c, 1d, 2-17, 18a, 19, 21, 24b, 25e, 25f, 26-35	501583	Extended Length ELR Assembly 18-22 Angle Adj Footplate Long Ext, Classic Release, PAIR	1
1c, 1d, 2-17, 18a, 19, 21, 24a, 25e, 25f, 26-35	501584	Extended Length ELR Assembly 18-22 Angle Adj Footplate Short Ext, Classic Release, PAIR	1
1c, 2-17, 18b, 19, 21, 24b, 25a, 26-28, 29a, 30-35	501585	Extended Length ELR Assembly 14 Angle Adj Footplate Long Ext, Classic Release, Right	1
1c, 2-17, 18b, 19, 21, 24a, 25a, 26-28, 29a, 30-35	501586	Extended Length ELR Assembly 14 Angle Adj Footplate Short Ext, Classic Release, Right	1
1c, 2-17, 18a, 19, 21, 24b, 25a, 26-28, 29a, 30-35	501587	Extended Length ELR Assembly 15 Angle Adj Footplate Long Ext, Classic Release, Right	1
1c, 2-17, 18a, 19, 21, 24a, 25a, 26-28, 29a, 30-35	501588	Extended Length ELR Assembly 15 Angle Adj Footplate Short Ext, Classic Release, Right	1
1c, 2-17, 18a, 19, 21, 24b, 25c, 26-28, 29a, 30-35	501589	Extended Length ELR Assembly 16-17 Angle Adj Footplate Long Ext, Classic Release, Right	1

Item Number	Part Number	Description	Quantity
1c, 2-17, 18a, 19, 21, 24a, 25c, 26-28, 29a, 30-35	501590	Extended Length ELR Assembly 16-17 Angle Adj Footplate Short Ext, Classic Release, Right	1
1c, 2-17, 18a, 19, 21, 24b, 25e, 26-28, 29a, 30-35	501591	Extended Length ELR Assembly 18-22 Angle Adj Footplate Long Ext, Classic Release, Right	1
1c, 2-17, 18a, 19, 21, 24a, 25e, 26-28, 29a, 30-35	501592	Extended Length ELR Assembly 18-22 Angle Adj Footplate Short Ext, Classic Release, Right	1
1d, 2-17, 18b, 19, 21, 24b, 25b, 26-28, 29b, 30-35	501593	Extended Length ELR Assembly 14 Angle Adj Footplate Long Ext, Classic Release, Left	1
1d, 2-17, 18b, 19, 21, 24a, 25b, 26-28, 29b, 30-35	501594	Extended Length ELR Assembly 14 Angle Adj Footplate Short Ext, Classic Release, Left	1
1d, 2-17, 18a, 19, 21, 24b, 25b, 26-28, 29b, 30-35	501595	Extended Length ELR Assembly 15 Angle Adj Footplate Long Ext, Classic Release, Left	1
1d, 2-17, 18a, 19, 21, 24a, 25b, 26-28, 29b, 30-35	501596	Extended Length ELR Assembly 15 Angle Adj Footplate Short Ext, Classic Release, Left	1
1d, 2-17, 18a, 19, 21, 24b, 25d, 26-28, 29b, 30-35	501597	Extended Length ELR Assembly 16-17 Angle Adj Footplate Long Ext, Classic Release, Left	1
1d, 2-17, 18a, 19, 21, 24a, 25d, 26-28, 29b, 30-35	501598	Extended Length ELR Assembly 16-17 Angle Adj Footplate Short Ext, Classic Release, Left	1
1d, 2-17, 18a, 19, 21, 24b, 25f, 26-28, 29b, 30-35	501599	Extended Length ELR Assembly 18-22 Angle Adj Footplate Long Ext, Classic Release, Left	1
1d, 2-17, 18a, 19, 21, 24a, 25f, 26-28, 29b, 30-35	501600	Extended Length ELR Assembly 18-22 Angle Adj Footplate Short Ext, Classic Release, Left	1

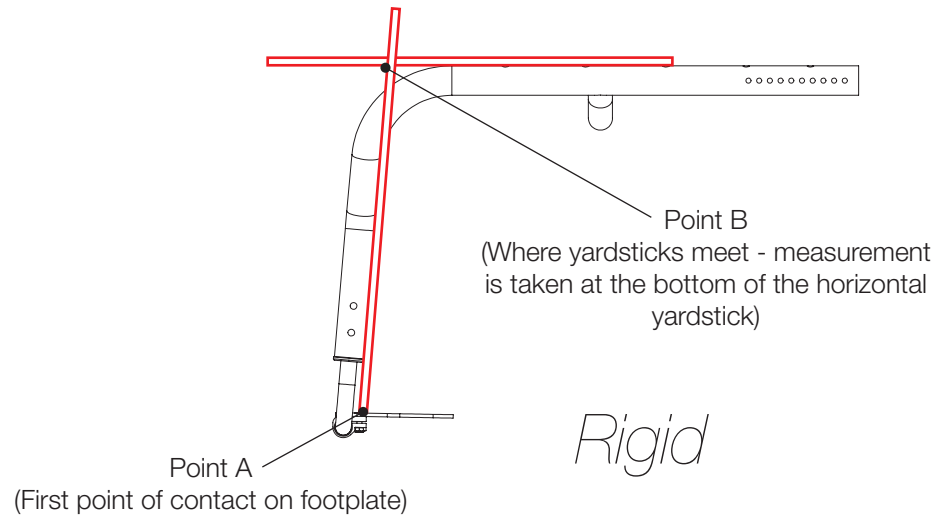
Distance between Point A and Point B = Footplate Length

**NOTE:** The yardstick on the top plane of the seat frame must lie flat against frame. The yardstick going from the footplate to the second yardstick must be square against the hanger tube.



Distance between Point A and Point B = Footplate Length

**NOTE:** The yardstick on the top plane of the seat frame must lie flat against frame. The yardstick going from the footplate to the second yardstick must be square against the front tube.



Distance between Point A and Point B = Footplate Length

**NOTE:** The yardstick on the top plane of the hanger must lie flat against hanger. The yardstick going from the footplate to the second yardstick must be square against the hanger tube.

