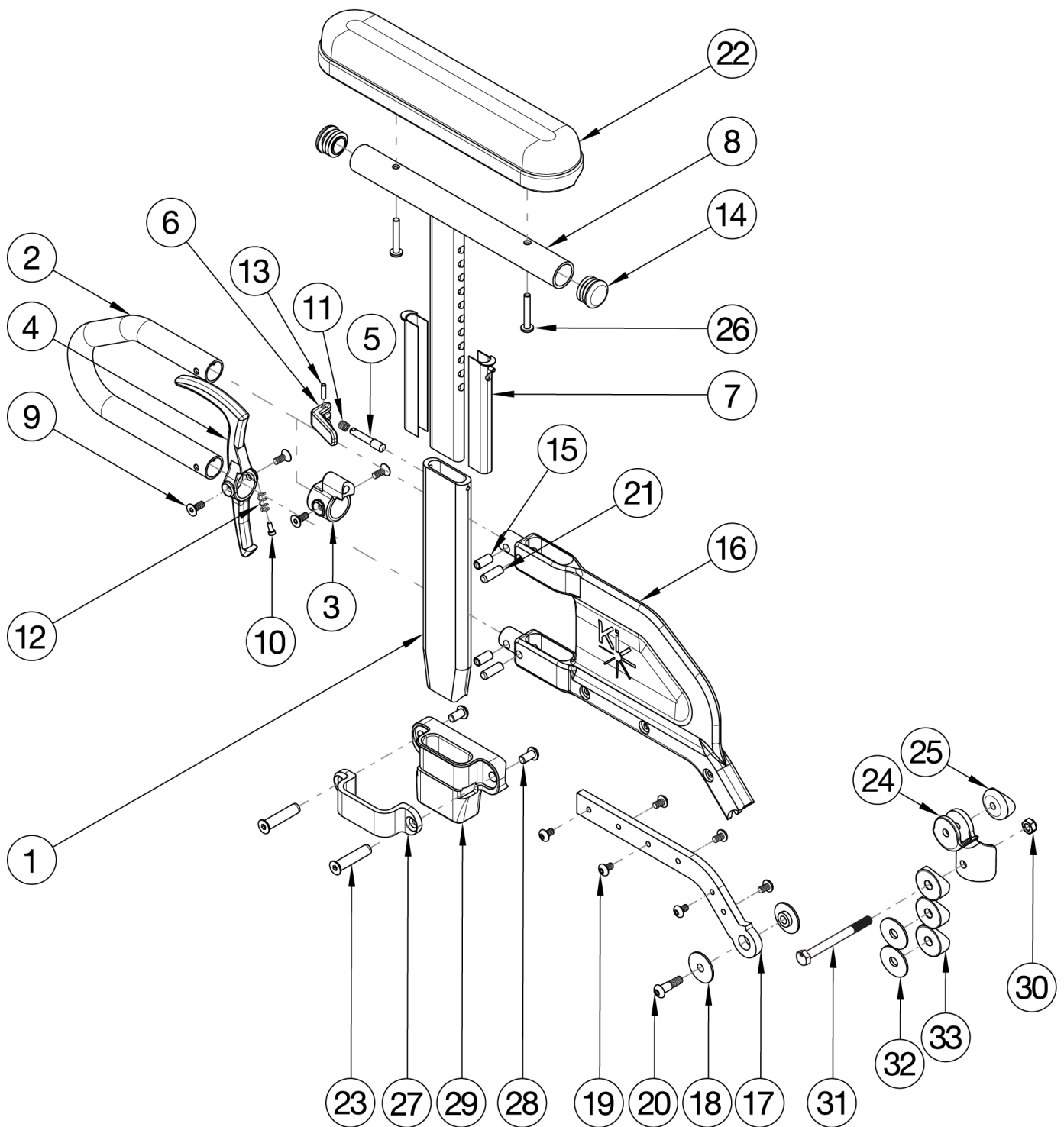


# Catalyst 5 / 5Vx Height Adjustable Flip Back T-Arm



Receiver and Hardware update effective 11/25/24 Short Side Shield used with 14"-17" Seat Depths. Long Side Shield used with 18"-20" Seat Depths If retrofiting, Receivers are needed. If retrofitting to Height Adjustable Flip Back T-Arms and One Arm Drive is present, a new drive shaft may be required. In addition to a new drive shaft, order the corresponding hardware kit: 109438 for Blade Style One Arm Drive, 503433 for Hex Style One Arm Drive or 112898 for Quick Release Style One Arm Drive

Item Number	Part Number	Description	Quantity
1-7, 8a, 9-15, 16a, 17a, 18-21, 22b, 23-32	504573	Height Adjustable Flip Back T-Arm Short Desk with Standard Pad and Receiver Assembly, Catalyst 5	1
1-7, 8b, 9-15, 16a, 17a, 18-21, 22a, 23-32	504574	Height Adjustable Flip Back T-Arm Short Full with Standard Pad and Receiver Assembly, Catalyst 5	1
1-7, 8a, 9-15, 16b, 17b, 18-21, 22b, 23-32	504575	Height Adjustable Flip Back T-Arm Long Desk with Standard Pad and Receiver Assembly, Catalyst 5	1
1-7, 8b, 9-15, 16b, 17b, 18-21, 22a, 23-32	504576	Height Adjustable Flip Back T-Arm Long Full with Standard Pad and Receiver Assembly, Catalyst 5	1
1-7, 8a, 9-15, 16a, 17a, 18-21, 22b, 24-26, 30-32	504569	Height Adjustable Flip Back T-Arm Short Desk with Standard Pad Assembly, Catalyst 5	1
1-7, 8b, 9-15, 16a, 17a, 18-21, 22a, 24-26, 30-32	504570	Height Adjustable Flip Back T-Arm Short Full with Standard Pad Assembly, Catalyst 5	1
1-7, 8a, 9-15, 16b, 17b, 18-21, 22b, 24-26, 30-32	504571	Height Adjustable Flip Back T-Arm Long Desk with Standard Pad Assembly, Catalyst 5	1
1-7, 8b, 9-15, 16b, 17b, 18-21, 22a, 24-26, 30-32	504572	Height Adjustable Flip Back T-Arm Long Full with Standard Pad Assembly, Catalyst 5	1
1-7, 9-13, 15, 16a, 17a, 18-21, 24, 25, 30-32	504567	Height Adjustable Flip Back T-Arm Short Retrofit Assembly, Catalyst 5  <i>This kit is used to retrofit from a Height Adjustable T-Arm to a Height Adjustable Flip Back T-Arm. This kit is to retrofit one side.</i>	1
1-7, 9-13, 15, 16b, 17b, 18-21, 24, 25, 30-32	504568	Height Adjustable Flip Back T-Arm Long Retrofit Assembly, Catalyst 5  <i>This kit is used to retro fit from a Height Adjustable T-Arm to a Height Adjustable Flip Back T-Arm. This kit is to retrofit one side.</i>	1
1-7, 9-13, 15, 16a, 17a, 19, 21	004158	Height Adjustable Flip Back T-Arm Lower Assembly Short  <i>Does not include t-arm upper, arm pad or arm pad screws</i>	1
1-7, 9-13, 15, 16b, 17b, 19, 21	004159	Height Adjustable Flip Back T-Arm Lower Assembly Long  <i>Does not include t-arm upper, arm pad or arm pad screws</i>	1
1-7, 8a, 9-15, 16a, 17a, 19, 21	003459	Height Adjustable Flip Back T-Arm Short Desk  <i>Does not include arm pad or arm pad screws</i>	1
1-7, 8b, 9-15, 16a, 17a, 19, 21	003460	Height Adjustable Flip Back T-Arm Short Full  <i>Does not include arm pad or arm pad screws</i>	1

Item Number	Part Number	Description	Quantity
1-7, 8a, 9-15, 16b, 17b, 19, 21	003461	Height Adjustable Flip Back T-Arm Long Desk <i>Does not include arm pad or arm pad screws</i>	1
1-7, 8b, 9-15, 16b, 17b, 19, 21	003462	Height Adjustable Flip Back T-Arm Long Full <i>Does not include arm pad or arm pad screws</i>	1
18, 20, 24, 25	112958	Armrest Flip Back Height Adj T-Arm Hinge Assembly, PAIR, Catalyst 5 <i>This kit is for a pair of hinge assemblies. A pair is required as a replacement as of May 19th, 2021</i>	1
30, 31	504577	Height Adjustable Flip Back T-Arm Mounting Hardware Assembly <i>This kit contains various mounting hardware for multiple configurations</i>	1
30-33	114401	Height Adjustable Flip Back T-Arm Mounting Hardware Assembly, Rear Seat Height Range 11.5" - 16" <i>This kit contains various mounting hardware for multiple configurations. Use this kit if the rear seat height is 11.5" - 16".</i>	1
3, 5, 6, 9, 11, 13	504560	Height Adjustable Flip Back T-Arm Latch Assembly	1
4, 9, 10, 12	504561	Height Adjustable Flip Back T-Arm Release Lever Assembly	1
23, 27, 28, 29	501730	Height Adj T-Arm Receiver Assm 1" CAT	1
1	003420	T-Arm Post	1
2	000095	Height Adjustable T Armrest Transfer Tube	1
7	000090	Height Adjustable T Armrest Shim	2
8a, 14	112906	Height Adjustable T Armrest Upper Desk w/ Tube End Plug	1
8b, 14	112907	Height Adjustable T Armrest Upper Full w/ Tube End Plug	1
14	100803	Tube End Plug 7/8"	2
15, 16a, 17a, 19, 21	504562	Height Adjustable Flip Back T-Arm Side Shield and Metal Insert Short	1
15, 16b, 17b, 19, 21	504563	Height Adjustable Flip Back T-Arm Side Shield and Metal Insert Long	1
22a	100500	Arm Pad Full	1
22b	100501	Arm Pad Desk	1
26	100696	M5 x 30mm PPH Capscrew	2
23	122055	Binding Post, Flat Head, M6, .38"	2
28	122221	T-Arm Receiver 1", Cat	1
29	122222	Height Adjustable T Armrest Bracket, CAT/SPARK	1

Item Number	Part Number	Description	Quantity
30	100667	M6 x 12 BTN SHCS BLKZC w/Patch	2
33	100881	1" Washer Plastic <i>Used if Rear Seat Height is 11.5" - 16". Depending on axle plate position, quantity required is either 12, 15 or 18. See Technical Manual for set up. Not used on the Cat 5Vx.</i>	18