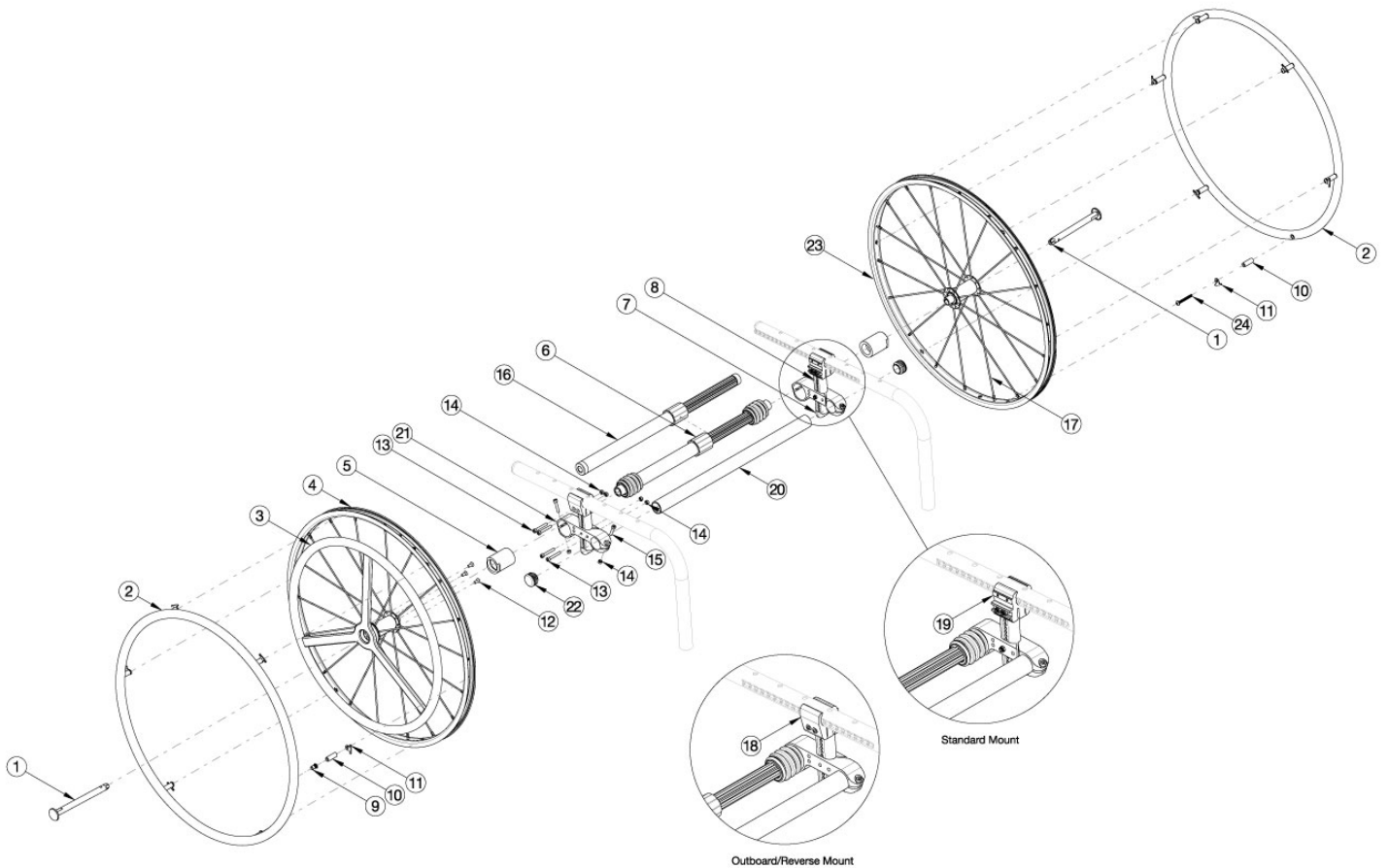


Clik 20" One Arm Drive Quick Release



One Arm Drive Kits do not include rear tires. For a complete retrofit, select the desired retrofit kit in addition to the One Arm Drive Camber Tube Kit (based on seat width). If retrofitting to add the One Arm Drive, new rear towers and tower clamps are required in addition to the complete One Arm Drive system. Check Drive Shaft Guide to determine if outboard or standard clamps are needed. Outboard clamps are included in retrofit kits. If standard clamps are required, please see camber mount towers page and add standard clamps. New rear towers will be needed with both outboard and standard clamps. Effective 5/13/2022, all One Arm Drives will be shipped with a close mounted Aluminum Anodized Handrim on the non-drive wheel.

Item Number	Part Number	Description	Quantity
1, 2, 3a, 4a, 5a, 9-15, 16a, 18, 21, 23	112717	Clik Quick Release One Arm Drive Retrofit Kit, 0° Camber, 20" Spoke with Aluminum Drive Handrim, 177-255mm Drive Shaft	1
1, 2, 3a, 4a, 5a, 9-15, 16b, 18, 21, 23	112718	Clik Quick Release One Arm Drive Retrofit Kit, 0° Camber, 20" Spoke with Aluminum Drive Handrim, 225-295mm Drive Shaft	1
1, 2, 3a, 4a, 5a, 9-15, 16c, 18, 21, 23	112719	Clik Quick Release One Arm Drive Retrofit Kit, 0° Camber, 20" Spoke with Aluminum Drive Handrim, 260-370mm Drive Shaft	1
1, 2, 3a, 4a, 5a, 9-15, 16d, 18, 21, 23	112720	Clik Quick Release One Arm Drive Retrofit Kit, 0° Camber, 20" Spoke with Aluminum Drive Handrim, 330-440mm Drive Shaft	1
1, 2, 3a, 4a, 5b, 6a, 9-15, 18, 21, 23	112721	Clik Quick Release One Arm Drive Retrofit Kit, 2° Camber, 20" Spoke with Aluminum Drive Handrim, 170-195mm Drive Shaft	1

Item Number	Part Number	Description	Quantity
1, 2, 3a, 4a, 5b, 6b, 9-15, 18, 21, 23	112722	Clik Quick Release One Arm Drive Retrofit Kit, 2° Camber, 20" Spoke with Aluminum Drive Handrim, 180-210mm Drive Shaft	1
1, 2, 3a, 4a, 5b, 6c, 9-15, 18, 21, 23	112723	Clik Quick Release One Arm Drive Retrofit Kit, 2° Camber, 20" Spoke with Aluminum Drive Handrim, 195-235mm Drive Shaft	1
1, 2, 3a, 4a, 5b, 6d, 9-15, 18, 21, 23	112724	Clik Quick Release One Arm Drive Retrofit Kit, 2° Camber, 20" Spoke with Aluminum Drive Handrim, 220-280mm Drive Shaft	1
1, 2, 3a, 4a, 5b, 6e, 9-15, 18, 21, 23	112725	Clik Quick Release One Arm Drive Retrofit Kit, 2° Camber, 20" Spoke with Aluminum Drive Handrim, 270-330mm Drive Shaft	1
1, 2, 3a, 4a, 5b, 6f, 9-15, 18, 21, 23	112726	Clik Quick Release One Arm Drive Retrofit Kit, 2° Camber, 20" Spoke with Aluminum Drive Handrim, 295-370mm Drive Shaft	1
1, 2, 3a, 4a, 5b, 6g, 9-15, 18, 21, 23	112727	Clik Quick Release One Arm Drive Retrofit Kit, 2° Camber, 20" Spoke with Aluminum Drive Handrim, 350-460mm Drive Shaft	1
1, 2, 3a, 4a, 5c, 6c, 9-15, 18, 21, 23	112728	Clik Quick Release One Arm Drive Retrofit Kit, 4° Camber, 20" Spoke with Aluminum Drive Handrim, 195-235mm Drive Shaft	1
1, 2, 3a, 4a, 5c, 6d, 9-15, 18, 21, 23	112729	Clik Quick Release One Arm Drive Retrofit Kit, 4° Camber, 20" Spoke with Aluminum Drive Handrim, 220-280mm Drive Shaft	1
1, 2, 3a, 4a, 5c, 6e, 9-15, 18, 21, 23	112730	Clik Quick Release One Arm Drive Retrofit Kit, 4° Camber, 20" Spoke with Aluminum Drive Handrim, 270-330mm Drive Shaft	1
1, 2, 3a, 4a, 5c, 6f, 9-15, 18, 21, 23	112731	Clik Quick Release One Arm Drive Retrofit Kit, 4° Camber, 20" Spoke with Aluminum Drive Handrim, 295-370mm Drive Shaft	1
1, 2, 3a, 4a, 5c, 6g, 9-15, 18, 21, 23	112732	Clik Quick Release One Arm Drive Retrofit Kit, 4° Camber, 20" Spoke with Aluminum Drive Handrim, 350-460mm Drive Shaft	1
1, 2, 3b, 4a, 5a, 9-15, 16a, 18, 21, 23	115188	Clik Quick Release One Arm Drive Retrofit Kit, 0° Camber, 20" Spoke with Poly Coated Drive Handrim, 177-255mm Drive Shaft	1
1, 2, 3b, 4a, 5a, 9-15, 16b, 18, 21, 23	115189	Clik Quick Release One Arm Drive Retrofit Kit, 0° Camber, 20" Spoke with Poly Coated Drive Handrim, 225-295mm Drive Shaft	1
1, 2, 3b, 4a, 5a, 9-15, 16c, 18, 21, 23	115190	Clik Quick Release One Arm Drive Retrofit Kit, 0° Camber, 20" Spoke with Poly Coated Drive Handrim, 260-370mm Drive Shaft	1
1, 2, 3b, 4a, 5a, 9-15, 16d, 18, 21, 23	115191	Clik Quick Release One Arm Drive Retrofit Kit, 0° Camber, 20" Spoke with Poly Coated Drive Handrim, 330-440mm Drive Shaft	1
1, 2, 3b, 4a, 5b, 6a, 9-15, 18, 21, 23	115192	Clik Quick Release One Arm Drive Retrofit Kit, 2° Camber, 20" Spoke with Poly Coated Drive Handrim, 170-195mm Drive Shaft	1
1, 2, 3b, 4a, 5b, 6b, 9-15, 18, 21, 23	115193	Clik Quick Release One Arm Drive Retrofit Kit, 2° Camber, 20" Spoke with Poly Coated Drive Handrim, 180-210mm Drive Shaft	1
1, 2, 3b, 4a, 5b, 6c, 9-15, 18, 21, 23	115194	Clik Quick Release One Arm Drive Retrofit Kit, 2° Camber, 20" Spoke with Poly Coated Drive Handrim, 195-235mm Drive Shaft	1
1, 2, 3b, 4a, 5b, 6d, 9-15, 18, 21, 23	115195	Clik Quick Release One Arm Drive Retrofit Kit, 2° Camber, 20" Spoke with Poly Coated Drive Handrim, 220-280mm Drive Shaft	1

Item Number	Part Number	Description	Quantity
1, 2, 3b, 4a, 5b, 6e, 9-15, 18, 21, 23	115196	Clik Quick Release One Arm Drive Retrofit Kit, 2° Camber, 20" Spoke with Poly Coated Drive Handrim, 270-330mm Drive Shaft	1
1, 2, 3b, 4a, 5b, 6f, 9-15, 18, 21, 23	115197	Clik Quick Release One Arm Drive Retrofit Kit, 2° Camber, 20" Spoke with Poly Coated Drive Handrim, 295-370mm Drive Shaft	1
1, 2, 3b, 4a, 5b, 6g, 9-15, 18, 21, 23	115198	Clik Quick Release One Arm Drive Retrofit Kit, 2° Camber, 20" Spoke with Poly Coated Drive Handrim, 350-460mm Drive Shaft	1
1, 2, 3b, 4a, 5c, 6c, 9-15, 18, 21, 23	115199	Clik Quick Release One Arm Drive Retrofit Kit, 4° Camber, 20" Spoke with Poly Coated Drive Handrim, 195-235mm Drive Shaft	1
1, 2, 3b, 4a, 5c, 6d, 9-15, 18, 21, 23	115200	Clik Quick Release One Arm Drive Retrofit Kit, 4° Camber, 20" Spoke with Poly Coated Drive Handrim, 220-280mm Drive Shaft	1
1, 2, 3b, 4a, 5c, 6e, 9-15, 18, 21, 23	115201	Clik Quick Release One Arm Drive Retrofit Kit, 4° Camber, 20" Spoke with Poly Coated Drive Handrim, 270-330mm Drive Shaft	1
1, 2, 3b, 4a, 5c, 6f, 9-15, 18, 21, 23	115202	Clik Quick Release One Arm Drive Retrofit Kit, 4° Camber, 20" Spoke with Poly Coated Drive Handrim, 295-370mm Drive Shaft	1
1, 2, 3b, 4a, 5c, 6g, 9-15, 18, 21, 23	115203	Clik Quick Release One Arm Drive Retrofit Kit, 4° Camber, 20" Spoke with Poly Coated Drive Handrim, 350-460mm Drive Shaft	1
1, 2, 10b, 11, 23, 24	119587	Quick Release One Arm Drive, 20" Spoke Wheel with Axle (Driven Side) and Close Mounted Handrim	1
1, 3a, 4a, 12	112899	Quick Release One Arm Drive Drive, 20" Spoke Wheel with Axle and Aluminum Drive Handrim <i>If replacing wheels and tires but NOT handrims. Add handrim hardware for pre-existing handrims.</i>	1
1, 3b, 4a, 13	115286	Quick Release One Arm Drive Drive, 20" Spoke Wheel with Axle and Poly Coated Drive Handrim <i>If replacing wheels and tires but NOT handrims. Add handrim hardware for pre-existing handrims.</i>	1
2, 10b, 11, 24	116447	Aluminum Anodized Handrim 6 Rivet Nut 20" with Close Mount Hardware, Non-Drive Side	1
3a	111830	Quick Release One Arm Drive, Aluminum Drive Side Handrim for 20" Wheel <i>Does not include mounting hardware</i>	1
3b	112433	Quick Release One Arm Drive, Poly Coated Drive Side Handrim for 20" Wheel <i>Does not include mounting hardware</i>	1
3c	118246	Quick Release One Arm Drive, Aluminum Drive Side Handrim for 20" Wheel with Micro Grip <i>Does not include mounting hardware</i>	1
5a	107031	One Arm Drive Blade/Quick Release Camber Plug w/Bearings - 0° Camber	1
5a, 21	108074	One Arm Drive Rogue/Clik Axle Mount 0 Degree Camber PAIR	1
5b, 21	003209	One Arm Drive Rogue/Clik Axle Mount 2 Degree Camber, PAIR	1
5c, 21	003210	One Arm Drive Rogue/Clik Axle Mount 4 Degree Camber Each	2
6a	111858	One Arm Drive - Quick Release Camber Drive Shaft 170-195mm	1

Item Number	Part Number	Description	Quantity
6b	111627	One Arm Drive - Quick Release Camber Drive Shaft 180-210mm	1
6c	111628	One Arm Drive - Quick Release Camber Drive Shaft 195-235mm	1
6d	111498	One Arm Drive - Quick Release Camber Drive Shaft 220-280mm	1
6e	111499	One Arm Drive - Quick Release Camber Drive Shaft 270-330mm	1
6f	111500	One Arm Drive - Quick Release Camber Drive Shaft 295-370mm	1
6g	111501	One Arm Drive - Quick Release Camber Drive Shaft 350-460mm	1
7	000920	Camber Mount Cap Rigid	2
8a	000925	Camber Mount Tower Long Black Anodized Rigid	2
8b	000925_ _ _	Color Anodized Camber Mount Tower Long Rigid	2
8c	000926	Camber Mount Tower Extra Long Black Anodized Rigid	2
8d	000926_ _ _	Color Anodized Camber Mount Tower Extra Long Rigid	2
9	100654	M5 x 40 DIN7985 PH Pan HD M/S ZC	6
10a	100653	Handrim Spacer Spoke	6
11	100698	Handrim Tab	6
9, 10a, 11	502168	Handrim Hardware Kit, 6 Rivet Nut, EACH	1
12	103522	M5 x 0.8 x 12 FHCS CLS 10.9 Nyl Blk Zn DIN7991	3
13	101734	M5 x 35 SHCS BLK ZC	8
14	100657	M5 Nylock Nut Blk Zn	6
15	101717	M5 x 25 SHCS BLK ZC	2
16a	111503	One Arm Drive - Quick Release Zero Camber Drive Shaft 177-255mm	1
16b	111504	One Arm Drive - Quick Release Zero Camber Drive Shaft 225-295mm	1
16c	111505	One Arm Drive - Quick Release Zero Camber Drive Shaft 260-370mm	1
16d	111506	One Arm Drive - Quick Release Zero Camber Drive Shaft 330-440mm	1
17c	111515	Replacement Spoke, Quick Release One Arm Drive, 24"	1
18	003366	One Arm Drive Tower Clamp, Outboard Mount, Klik <i>Reference Klik One Arm Drive (Quick Release) - Drive Shaft Chart for configurations where used</i>	2
19	111822	Tower Clamp Mount, Klik	2

Item Number	Part Number	Description	Quantity
		<i>Reference Klik One Arm Drive (Quick Release) - Drive Shaft Chart for configurations where used</i>	
20a	003369	One Arm Drive Camber Tube 11" Kit, Klik / Rogue XP <i>Does not include tube end plugs</i>	1
20b	003370	One Arm Drive Camber Tube 12" Kit, Klik / Rogue / Rogue XP <i>Does not include tube end plugs</i>	1
20c	003371	One Arm Drive Camber Tube 13" Kit, Klik / Rogue / Rogue XP <i>Does not include tube end plugs</i>	1
20d	003372	One Arm Drive Camber Tube 14" Kit, Klik / Rogue / Rogue XP <i>Does not include tube end plugs</i>	1
20e	003373	One Arm Drive Camber Tube 15" Kit, Klik / Rogue / Rogue XP <i>Does not include tube end plugs</i>	1
20f	003374	One Arm Drive Camber Tube 16" Kit, Klik / Rogue / Rogue XP <i>Does not include tube end plugs</i>	1
20g	003708	One Arm Drive Camber Tube 17" Kit, Klik / Rogue / Rogue XP <i>Does not include tube end plugs</i>	1
20h	003709	One Arm Drive Camber Tube 18" Kit, Klik / Rogue / Rogue XP <i>Does not include tube end plugs</i>	1
22	100532	Tube End Plug 1 1/8"	2
24	102616	M5 X 25 BHCS BLK ZC	1

Clik Quick Release One Arm Drive Shaft Guide

DRIVE SHAFT LENGTH FOR CLIK WITH OMIT OR SWING AWAY ARMS				
CLIK SEAT WIDTH	WHEEL SPACING	CAMBER	DESCRIPTION	PART NUMBER
SEAT WIDTH 11"	1.75	0	QUICK RELEASE OAD ZERO CAMBER DRIVE SHAFT 177-255MM	~111503
	.75, 1	2	QUICK RELEASE OAD CAMBER DRIVE SHAFT 170-195MM	#111858
	1.25	2	QUICK RELEASE OAD CAMBER DRIVE SHAFT 180-210MM	#111627
	1.5	2	QUICK RELEASE OAD CAMBER DRIVE SHAFT 195-235MM	#111628
	1.75	2	QUICK RELEASE OAD CAMBER DRIVE SHAFT 195-235MM	~111628
	1	4	QUICK RELEASE OAD CAMBER DRIVE SHAFT 195-235MM	~111628
	1.25	4	QUICK RELEASE OAD CAMBER DRIVE SHAFT 220-280MM	~111498
SEAT WIDTH 12"	1.5	0	QUICK RELEASE OAD ZERO CAMBER DRIVE SHAFT 177-255MM	111503
	1.75	0	QUICK RELEASE OAD ZERO CAMBER DRIVE SHAFT 177-255MM	~111503
	.75, 1	2	QUICK RELEASE OAD CAMBER DRIVE SHAFT 180-210MM	#111627
	1.25, 1.5	2	QUICK RELEASE OAD CAMBER DRIVE SHAFT 195-235MM	111628
	1.75	2	QUICK RELEASE OAD CAMBER DRIVE SHAFT 220-280MM	~111498
	0.75	4	QUICK RELEASE OAD CAMBER DRIVE SHAFT 195-235MM	111628
	1	4	QUICK RELEASE OAD CAMBER DRIVE SHAFT 220-280MM	~111498
SEAT WIDTH 13"	1, 1.25, 1.5	0	QUICK RELEASE OAD ZERO CAMBER DRIVE SHAFT 177-255MM	111503
	1.75	0	QUICK RELEASE OAD ZERO CAMBER DRIVE SHAFT 225-295MM	~111504
	.75, 1	2	QUICK RELEASE OAD CAMBER DRIVE SHAFT 195-235MM	111628
	1.25, 1.5	2	QUICK RELEASE OAD CAMBER DRIVE SHAFT 220-280MM	111498
	1.75	2	QUICK RELEASE OAD CAMBER DRIVE SHAFT 220-280MM	~111498
	0.75	4	QUICK RELEASE OAD CAMBER DRIVE SHAFT 220-280MM	111498
	1	4	QUICK RELEASE OAD CAMBER DRIVE SHAFT 220-280MM	~111498
	1.25	4	QUICK RELEASE OAD CAMBER DRIVE SHAFT 270-330MM	~111499
SEAT WIDTH 14"	1, 1.25	0	QUICK RELEASE OAD ZERO CAMBER DRIVE SHAFT 177-255MM	111503
	1.5	0	QUICK RELEASE OAD ZERO CAMBER DRIVE SHAFT 225-295MM	111504
	1.75	0	QUICK RELEASE OAD ZERO CAMBER DRIVE SHAFT 225-295MM	~111504
	.75, 1, 1.25	2	QUICK RELEASE OAD CAMBER DRIVE SHAFT 220-280MM	111498
	1.5	2	QUICK RELEASE OAD CAMBER DRIVE SHAFT 270-330MM	#111499
	1.75	2	QUICK RELEASE OAD CAMBER DRIVE SHAFT 270-330MM	~111499
	0.75	4	QUICK RELEASE OAD CAMBER DRIVE SHAFT 270-330MM	#111499
	1	4	QUICK RELEASE OAD CAMBER DRIVE SHAFT 270-330MM	~111499
	1.25	4	QUICK RELEASE OAD CAMBER DRIVE SHAFT 270-330MM	~111499

Clik No-Go Configurations			
Wheel Size	Camber	Wheel Spacing	Rear Seat Height
24	0	1	14.5
24	0	1	15
24	0	1	15.5
22	0	1	14.5
22	0	1	15
22	0	1	15.5
20	0	1	12.5
20	0	1	13

Seat width less than 16" + any rear wheel camber + any 5th wheel = N/A with QR OAD

#For this configuration, one wheel must be removed before the driveshaft can be installed. The second wheel can be installed once the drive shaft is in position.

~For this configuration, tower assemblies are to be mounted outboard of the frame.

NOTE: Tower assemblies must be mounted outboard of the frame when offset frames are used.

NOTE: 1.25" minimum wheel spacing is required when side guards are used.

Clik Quick Release One Arm Drive Shaft Guide

DRIVE SHAFT LENGTH FOR CLIK WITH OMIT OR SWING AWAY ARMS				
CLIK SEAT WIDTH	WHEEL SPACING	CAMBER	DESCRIPTION	PART NUMBER
SEAT WIDTH 15"	1, 1.25, 1.5	0	QUICK RELEASE OAD ZERO CAMBER DRIVE SHAFT 225-295MM	111504
	1.75	0	QUICK RELEASE OAD ZERO CAMBER DRIVE SHAFT 260-370MM	~111505
	0.75	2	QUICK RELEASE OAD CAMBER DRIVE SHAFT 220-280MM	111498
	1	2	QUICK RELEASE OAD CAMBER DRIVE SHAFT 270-330MM	#111499
	1.25, 1.5	2	QUICK RELEASE OAD CAMBER DRIVE SHAFT 270-330MM	111499
	1.75	2	QUICK RELEASE OAD CAMBER DRIVE SHAFT 295-370MM	~111500
	0.75	4	QUICK RELEASE OAD CAMBER DRIVE SHAFT 270-330MM	111499
	1	4	QUICK RELEASE OAD CAMBER DRIVE SHAFT 295-370MM	~111500
	1.25	4	QUICK RELEASE OAD CAMBER DRIVE SHAFT 295-370MM	~111500
SEAT WIDTH 16"	1	0	QUICK RELEASE OAD ZERO CAMBER DRIVE SHAFT 225-295MM	111504
	1.25, 1.5	0	QUICK RELEASE OAD ZERO CAMBER DRIVE SHAFT 260-370MM	111505
	1.75	0	QUICK RELEASE OAD ZERO CAMBER DRIVE SHAFT 260-370MM	~111505
	0.75, 1	2	QUICK RELEASE OAD CAMBER DRIVE SHAFT 270-330MM	111499
	1.25, 1.5	2	QUICK RELEASE OAD CAMBER DRIVE SHAFT 295-370MM	111500
	1.75	2	QUICK RELEASE OAD CAMBER DRIVE SHAFT 295-370MM	~111500
	0.75	4	QUICK RELEASE OAD CAMBER DRIVE SHAFT 295-370MM	111500
	1	4	QUICK RELEASE OAD CAMBER DRIVE SHAFT 295-370MM	~111500
	1.25	4	QUICK RELEASE OAD CAMBER DRIVE SHAFT 295-370MM	~111500
SEAT WIDTH 17"	1, 1.25, 1.5	0	QUICK RELEASE OAD ZERO CAMBER DRIVE SHAFT 260-370MM	111505
	1.75	0	QUICK RELEASE OAD ZERO CAMBER DRIVE SHAFT 330-440MM	~111506
	0.75, 1, 1.25, 1.5	2	QUICK RELEASE OAD CAMBER DRIVE SHAFT 295-370MM	111500
	1.75	2	QUICK RELEASE OAD CAMBER DRIVE SHAFT 350-460MM	~111501
	0.75	4	QUICK RELEASE OAD CAMBER DRIVE SHAFT 295-370MM	111500
	1	4	QUICK RELEASE OAD CAMBER DRIVE SHAFT 350-460MM	~111501
	1.25	4	QUICK RELEASE OAD CAMBER DRIVE SHAFT 350-460MM	~111501
SEAT WIDTH 18"	1, 1.25	0	QUICK RELEASE OAD ZERO CAMBER DRIVE SHAFT 260-370MM	111505
	1.5	0	QUICK RELEASE OAD ZERO CAMBER DRIVE SHAFT 330-440MM	111506
	1.75	0	QUICK RELEASE OAD ZERO CAMBER DRIVE SHAFT 330-440MM	~111506
	1.25, 1.5	2	QUICK RELEASE OAD CAMBER DRIVE SHAFT 350-460MM	111501
	1.75	2	QUICK RELEASE OAD CAMBER DRIVE SHAFT 350-460MM	~111501
	0.75	4	QUICK RELEASE OAD CAMBER DRIVE SHAFT 295-370MM	111500
	1	4	QUICK RELEASE OAD CAMBER DRIVE SHAFT 350-460MM	~111501
	1.25	4	QUICK RELEASE OAD CAMBER DRIVE SHAFT 350-460MM	~111501

#For this configuration, one wheel must be removed before the driveshaft can be installed. The second wheel can be installed once the drive shaft is in position.

~For this configuration, tower assemblies are to be mounted outboard of the frame.

NOTE: Tower assemblies must be mounted outboard of the frame when offset frames are used.

NOTE: 1.25" minimum wheel spacing is required when side guards are used.

DRIVE SHAFT LENGTH FOR CLIK WITH T-ARMS				
CLIK SEAT WIDTH	WHEEL SPACING	CAMBER	DESCRIPTION	PART NUMBER
SEAT WIDTH 11"	1.75	0	QUICK RELEASE OAD ZERO CAMBER DRIVE SHAFT 177-255MM	111503
	1.75	2	QUICK RELEASE OAD CAMBER DRIVE SHAFT 195-235MM	111628
SEAT WIDTH 12"	1.75	0	QUICK RELEASE OAD ZERO CAMBER DRIVE SHAFT 177-255MM	111503
	1.75	2	QUICK RELEASE OAD CAMBER DRIVE SHAFT 220-280MM	111498
SEAT WIDTH 13"	1.75	0	QUICK RELEASE OAD ZERO CAMBER DRIVE SHAFT 225-295MM	111504
	1.75	2	QUICK RELEASE OAD CAMBER DRIVE SHAFT 220-280MM	111498
SEAT WIDTH 14"	1.75	0	QUICK RELEASE OAD ZERO CAMBER DRIVE SHAFT 225-295MM	111504
	1.75	2	QUICK RELEASE OAD CAMBER DRIVE SHAFT 270-330MM	111499
SEAT WIDTH 15"	1.75	0	QUICK RELEASE OAD ZERO CAMBER DRIVE SHAFT 260-370MM	111505
	1.75	2	QUICK RELEASE OAD CAMBER DRIVE SHAFT 295-370MM	111500
SEAT WIDTH 16"	1.75	0	QUICK RELEASE OAD ZERO CAMBER DRIVE SHAFT 260-370MM	111505
	1.75	2	QUICK RELEASE OAD CAMBER DRIVE SHAFT 295-370MM	111500
SEAT WIDTH 17"	1.75	0	QUICK RELEASE OAD ZERO CAMBER DRIVE SHAFT 330-440MM	111506
	1.75	2	QUICK RELEASE OAD CAMBER DRIVE SHAFT 350-460MM	111501
SEAT WIDTH 18"	1.75	0	QUICK RELEASE OAD ZERO CAMBER DRIVE SHAFT 330-440MM	111506
	1.75	2	QUICK RELEASE OAD CAMBER DRIVE SHAFT 350-460MM	111501

NOTE: TOWER ASSEMBLIES MUST BE MOUNTED OUTBOARD OF THE FRAME WHEN T-ARMS ARE USED.

Color Anodizing Samples

