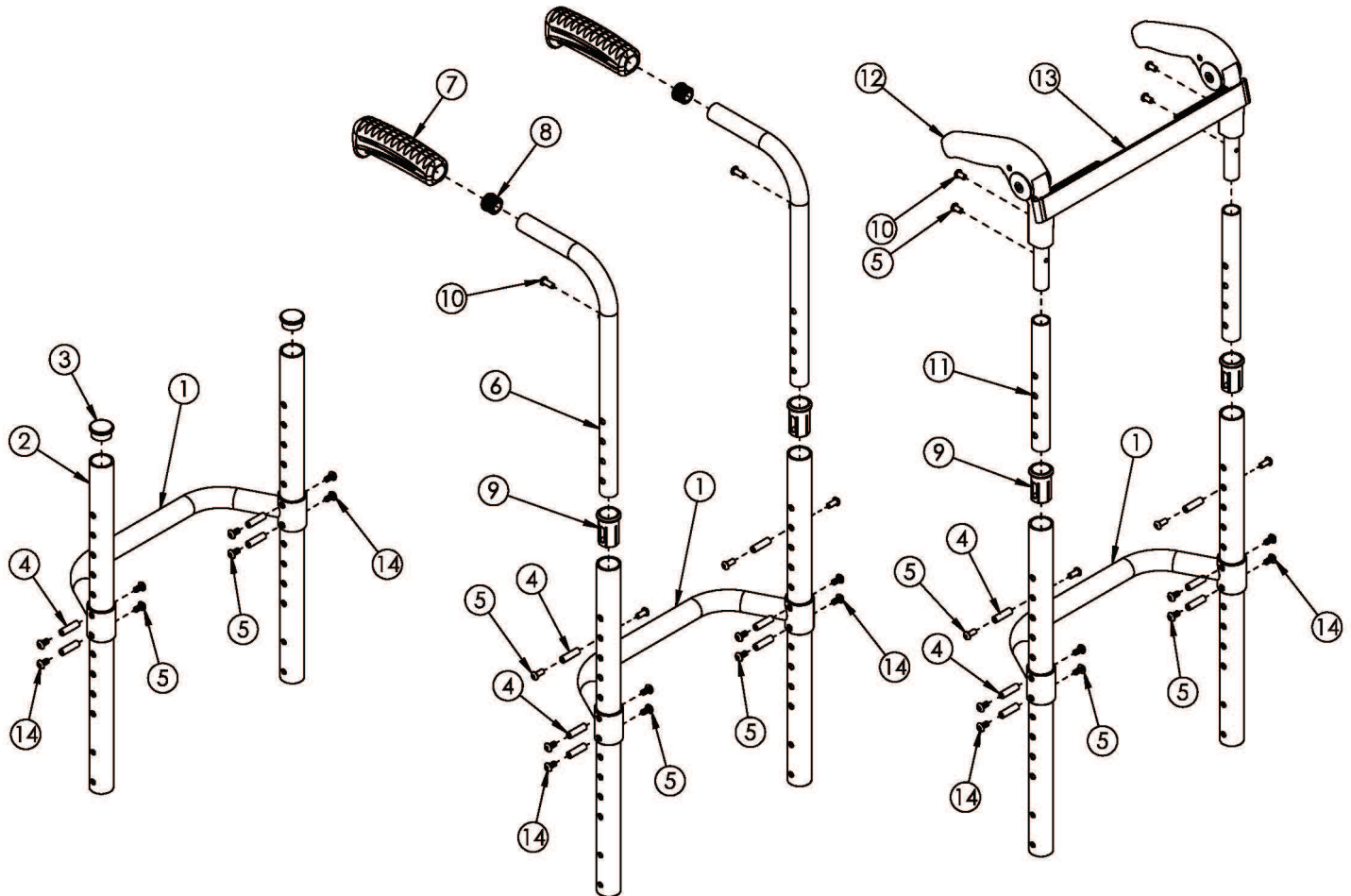


(Discontinued 2) Ethos / Rogue Fixed Height Back Post with Adjustable Height Rigidizer Bar



If chair was ordered with Rigid Locking Fold Down Back, please see Rigid Fixed Height Back Post with Adjustable Height Rigidizer Bar page. Effective on Rogue starting with serial number RG0016612. If retrofitting to this backrest on Rogue, a new backrest mount and hardware may be required. Tension Straps (#13) are based on seat width and used in combination with back upholstery.

Item Number	Part Number	Description	Quantity
5, 10, 11a, 12	110529	Fold Down Push Handle Assembly, Fixed, 12" Back Height <i>Used with 12" back height</i>	1
5, 10, 11b, 12	110530	Fold Down Push Handle Assembly, Fixed, 13-18" Back Height <i>Used with 13" - 18" back heights</i>	1
6, 7a, 8	110384	Standard Push Handle Assembly <i>Used with 9" - 18" back heights</i>	1
6, 7b, 8	110385	Low Profile Push Handle Assembly <i>Used with 9" - 18" back heights</i>	1
1a	000527	Adjustable Height Rigidizer Bar 12" Wide	1

Item Number	Part Number	Description	Quantity
1b	000528	Adjustable Height Rigidizer Bar 13" Wide	1
1c	000185	Adjustable Height Rigidizer Bar 14" Wide	1
1d	000186	Adjustable Height Rigidizer Bar 15" Wide	1
1e	000187	Adjustable Height Rigidizer Bar 16" Wide	1
1f	000188	Adjustable Height Rigidizer Bar 17" Wide	1
1g	000189	Adjustable Height Rigidizer Bar 18" Wide	1
1h	000190	Adjustable Height Rigidizer Bar 19" Wide	1
1i	000191	Adjustable Height Rigidizer Bar 20" Wide	1
2a, 3	110364	Fixed Height Back Post with Tube End Plug, 9" Back Height <i>Used with 9" back height with omit push handles</i>	2
2b, 3	110365	Fixed Height Back Post with Tube End Plug, 10" Back Height <i>Used with 10" back height with omit push handles</i>	2
2c, 3	110366	Fixed Height Back Post with Tube End Plug, 11" Back Height <i>Used with 11" back height with omit push handles</i>	2
2d, 3	110367	Fixed Height Back Post with Tube End Plug, 12" Back Height <i>Used with 12" back height with omit push handles</i>	2
2e, 3	110368	Fixed Height Back Post with Tube End Plug, 13" Back Height <i>Used with 13" back height with omit push handles</i>	2
2f, 3	110369	Fixed Height Back Post with Tube End Plug, 14" Back Height <i>Used with 14" back height with omit push handles</i>	2
2g, 3	110370	Fixed Height Back Post with Tube End Plug, 15" Back Height <i>Used with 15" back height with omit push handles</i>	2
2h, 3	110371	Fixed Height Back Post with Tube End Plug, 16" Back Height <i>Used with 16" back height with omit push handles</i>	2
2i, 3	110372	Fixed Height Back Post with Tube End Plug, 17" Back Height <i>Used with 17" back height with omit push handles</i>	2
2j, 3	110373	Fixed Height Back Post with Tube End Plug, 18" Back Height <i>Used with 18" back height with omit push handles</i>	2
2k, 9	110374	Fixed Height Back Post with Sleeve, 9" Back Height <i>Used with 9" back height with standard push handles or low profile push handles, or with fold down push handles and 12" back height</i>	2
2a, 9	110375	Fixed Height Back Post with Sleeve, 10" Back Height <i>Used with 10" back height with standard push handles or low profile push handles, or with fold down push handles and 13" back height</i>	2

Item Number	Part Number	Description	Quantity
2b, 9	110376	Fixed Height Back Post with Sleeve, 11" Back Height <i>Used with 11" back height with standard push handles or low profile push handles, or with fold down push handles and 14" back height</i>	2
2c, 9	110377	Fixed Height Back Post with Sleeve, 12" Back Height <i>Used with 12" back height with standard push handles or low profile push handles, or with fold down push handles and 15" back height</i>	2
2d, 9	110378	Fixed Height Back Post with Sleeve, 13" Back Height <i>Used with 13" back height with standard push handles or low profile push handles, or with fold down push handles and 16" back height</i>	2
2e, 9	110379	Fixed Height Back Post with Sleeve, 14" Back Height <i>Used with 14" back height with standard push handles or low profile push handles, or with fold down push handles and 17" back height</i>	2
2f, 9	110380	Fixed Height Back Post with Sleeve, 15" Back Height <i>Used with 15" back height with standard push handles or low profile push handles, or with fold down push handles and 18" back height</i>	2
2g, 9	110381	Fixed Height Back Post with Sleeve, 16" Back Height <i>Used with 16" back height with standard push handles or low profile push handles</i>	2
2h, 9	110382	Fixed Height Back Post with Sleeve, 17" Back Height <i>Used with 17" back height with standard push handles or low profile push handles</i>	2
2i, 9	110383	Fixed Height Back Post with Sleeve, 18" Back Height <i>Used with 18" back height with standard push handles or low profile push handles</i>	2
3	100804	Tube End Plug 1"	2
4	000073	M5 x 24 Threaded Barrel	6
5	100669	M5 x 10 BTN SHCS BLKZC w/Patch	8
7a	109432	Ergo Push Handle Grip 3/4" Standard with Instruction	1
7b	109430	Ergo Push Handle Grip 3/4" Low Profile with Instruction	1
8	100638	Tube End Plug 3/4"	1
9	000034	Sleeve 3/4" x 1 1/2"	2
10	100734	M5 x 16 PHMS ZC <i>Used to mount back upholstery and/or Fold Down Push Handle</i>	2
12	001735	Folding Handle Assembly Rigid	1

Item Number	Part Number	Description	Quantity
		<i>This is to replace an existing Fold Down Push Handle. If wanting to retrofit to the Fold Down Push Handle, order one of the following complete assemblies based on the desired back height: 110529 or 110530</i>	
13a	001749	Tension Strap Folding Handle 12-13 Wide	1
13b	001750	Tension Strap Folding Handle 14-15 Wide	1
13c	001751	Tension Strap Folding Handle 16-17 Wide	1
13d	001752	Tension Strap Folding Handle 18-19 Wide	1
13e	001753	Tension Strap Folding Handle 20-22 Wide	1
14	103524	M5 x 10 BTN SHCS BLK ZN	4