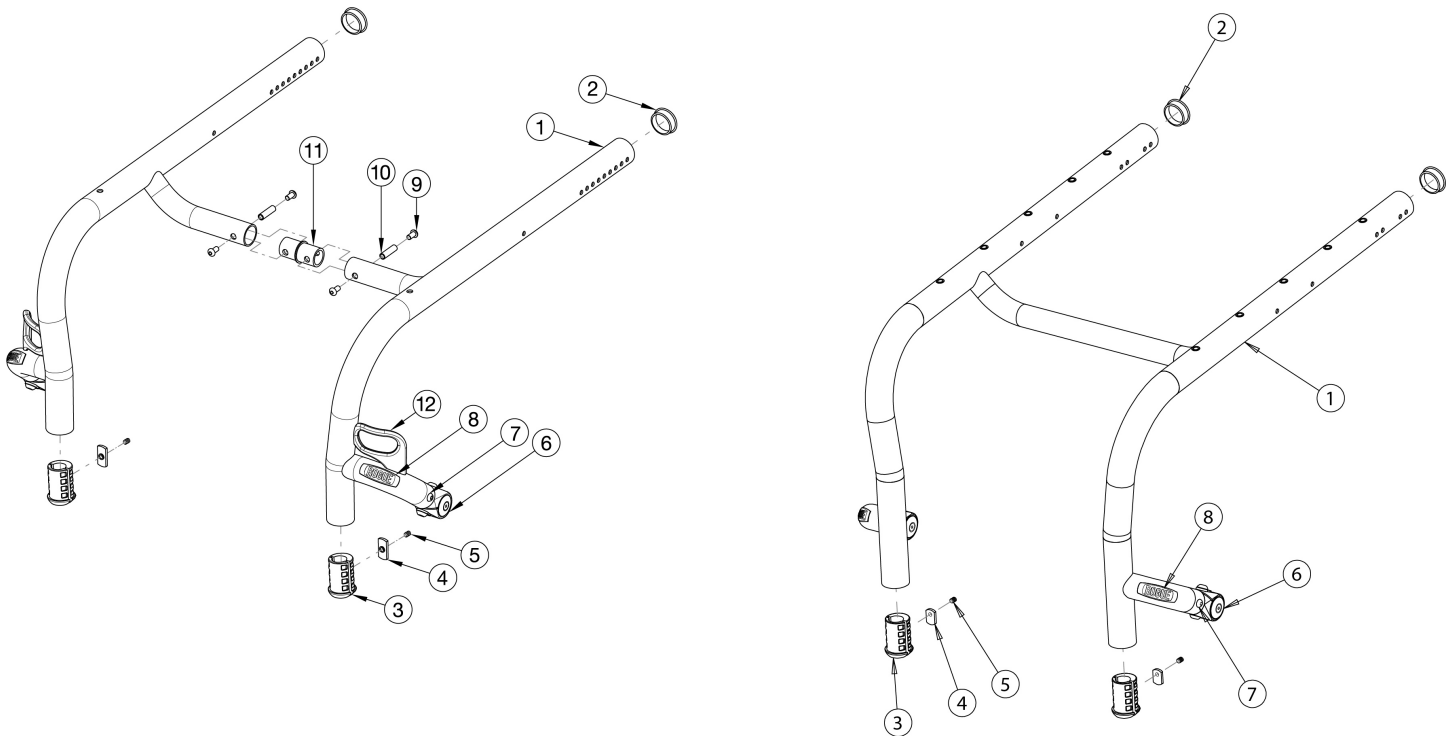


Rogue XP Rigid Frame



Replacement rigid frames may be quoted, but must be ordered through Customer Service. Serial number required upon order. Replacement Rogue XP Transit Frames will include front transit brackets only. To quote rear transit brackets, please see Rogue XP Transit page.

Item Number	Part Number	Description	Quantity	Retail
1a, 2-4a, 5, 6a, 7, 8, 9, 10, 11	RFRGXP	Replacement Rogue XP Frame <i>Item 11 dependent on initial seat width. 11a is included on seat widths 10" - 15", 11b is included on 16" seat width, 11c is included on 17" seat width and 18" seat width will not be growable or receive a frame connector.</i>	1	\$1,092.42
1b, 2-4a, 5, 6a, 7, 8, 9, 10, 11	RFRGXPGIT	Replacement Rogue XP Frame w/ Graphic Image Transfer <i>Item 11 dependent on initial seat width. 11a is included on seat widths 10" - 15", 11b is included on 16" seat width, 11c is included on 17" seat width and 18" seat width will not be growable or receive a frame connector.</i>	1	\$1,699.32
1c, 2-4a, 5, 6a, 7, 8, 9, 10, 11, 12	RFRGXPTTRANS	Replacement Rogue XP Transit Frame <i>This replacement frame does not include the rear transit brackets. Item 11 dependent on initial seat width. 11a is included on seat widths 10" - 15", 11b is included on 16" seat width, 11c is included on 17" seat width and 18" seat width will not be growable or receive a frame connector.</i>	1	\$1,334.16
1d, 2-4a, 5, 6b, 7, 8, 9, 10, 11	RFRGXPCOL	Replacement Rogue XP Frame w/ Color Anodized Package <i>Item 11 dependent on initial seat width. 11a is included on seat widths 10" - 15", 11b is included on 16" seat width, 11c is included on 17" seat width and 18" seat width will not be growable or receive a frame connector.</i>	1	\$1,120.47

Item Number	Part Number	Description	Quantity	Retail
1e, 2-4a, 5, 6b, 7, 8, 9, 10, 11	RFRGXPGITC OL	Replacement Rogue XP Frame w/ Graphic Image Transfer and Color Anodized Package <i>Item 11 dependent on initial seat width. 11a is included on seat widths 10" - 15", 11b is included on 16" seat width, 11c is included on 17" seat width and 18" seat width will not be growable or receive a frame connector.</i>	1	\$1,727.37
1f, 2-4a, 5, 6b, 7, 8, 9, 10, 11, 12	RFRGXPTRAN SCOL	Replacement Rogue XP Transit Frame w/ Color Anodized Package <i>This replacement frame does not include the rear transit brackets. Item 11 dependent on initial seat width. 11a is included on seat widths 10" - 15", 11b is included on 16" seat width, 11c is included on 17" seat width and 18" seat width will not be growable or receive a frame connector.</i>	1	\$1,362.21
9, 10, 11b	501331	Connector Assembly Frame 1" w/ Hardware	1	\$48.57
9, 10, 11c	501332	Connector Assembly Frame 2" w/ Hardware	1	\$48.57
9, 10, 11d	501333	Connector Assembly Frame 3" w/ Hardware	1	\$48.57
2	101113	Tube End Plug 1 3/8" <i>Use quantity 4 with high-mounted footrests. Extra plugs are inserted into front of frame.</i>	2	\$3.15
3	001346	Footrest Sleeve 3/4" to 1 3/8" <i>Used only with frame-inserted footrests. Use item number 2 with high mounted footrests.</i>	2	\$6.01
4a	001141	Weld Nut NDM 06028 Zinc <i>Used only with frame-inserted footrests. Use item number 2 with high mounted footrests.</i>	2	\$2.63
4b	102092	M6 Weld Nut Offset <i>Used only as needed with frame-inserted footrests. Use item number 2 with high mounted footrests.</i>	2	\$3.15
5	102090	M6 Set Screw Flat Point <i>Used only with frame-inserted footrests. Use item number 2 with high mounted footrests.</i>	2	\$2.63
8	002473	Aluminum Wing Badge Rogue	2	\$2.68
9	100667	M6 x 12 BTN SHCS BLKZC w/Patch <i>Not included on 18" wide frame</i>	4	\$1.58
10	000980	M6 x 27.69 Threaded Barrel <i>Not included on 18" wide frame</i>	2	\$5.36
11a	000585	Frame Connector 0" LW/RG	1	\$33.05
11b	000586	Frame Connector 1" LW/RG	1	\$33.05
11c	000587	Frame Connector 2" LW/RG	1	\$33.05
11d	000588	Frame Connector 3" LW/RG	1	\$33.05

Color Anodizing Samples

