



QUICKIE S-636



PARTS MANUAL

JANUARY 2020

COVER.....	1
Product.....	1
QUICKIE S636 W/ RNET & VR2.....	6
GLOSSARY OF ABBREVIATIONS.....	6
BASE.....	6
FRAME.....	6
FRAME S636/S646/S646SE.....	7
TRANSIT KIT.....	9
MOTOR.....	9
MOTOR S636.....	10
WHEEL.....	11
DRIVE WHEEL.....	12
WHEEL LOCK.....	13
S636/S646/S646SE WHEEL LOCK.....	14
CASTERS AND FORKS.....	14
CASTER & FORK S636/S646/S646SE.....	15
SUSPENSION CASTER & FORK.....	17
CASTERS & CASTER TIRES.....	19
9-10 INCH CASTER RIM.....	20
9 INCH CASTER TIRES.....	21
ANTI-TIPS.....	21
ANTI-TIP LOCK-OUT MECHANISM.....	22
ANTI-TIP COMPONENTS.....	23
ANTI-TIP CASTER ASSEMBLY.....	25
SEATING AND POSITIONING.....	26
SEAT.....	26
SEAT PAN S636/S646/S646SE.....	27
S636/S646 - SEAT FRAME.....	28
22" & 24" SEAT SUPPORT S636/S646/S646SE.....	31
FIXED SEAT MOUNTING HARDWARE FOR RECLINE ONLY.....	32
POWERED SEATING.....	32
TILT LOWER ACTUATOR MOUNT ASSEMBLY S636/S646/S646SE.....	33
TILT FRAME ASSEMBLY S636/S646/S646SE.....	35
TILT SEAT SLIDING PLATE ASSEMBLY S636/S646/S646SE.....	37
TILT ACTUATOR ASSEMBLY.....	39
BACKREST UPHOLSTERY.....	40
ADJUSTABLE BACKREST.....	41
LATERAL SUPPORT.....	45
LATERAL PAD ASSEMBLY.....	46
HANGERS AND FOOTPLATES.....	46
SWING AWAY EXT MOUNT HANGERS.....	46
HANGERS.....	46
70 DEGREE SWING-AWAY HANGER.....	47
EXTENSIONS.....	48
DOUBLE D FOOTREST EXTENSION TUBE "OLD STYLE".....	49
FOOTPLATES.....	50
ADULT ANGLE-ADJ FOOTPLATE EXT MOUNT (POWER REAR WHEEL DRIVE).....	51
KIDS ANGLE ADJUSTABLE FOOTPLATE EXT MOUNT.....	53
TWO PIECE LOCKING FOOTPLATE.....	55
MULTI-POSITION FOOTPLATE.....	58
SWING AWAY FRONT MOUNT HANGERS.....	60
HANGERS.....	60
90 DEGREE SWING-AWAY HANGER.....	61
90 DEGREE SWING-AWAY HANGER (DISC.4-21-15).....	63
FOOTPLATES.....	63
ADULT ANGLE-ADJ FOOTPLATE FRONT MOUNT.....	64
KIDS ANGLE ADJ FOOTPLATE FRONT MOUNT.....	66
POWER LIFT OFF ELR'S / ALR'S.....	68
ELR ELECTRONICALLY ACTUATED.....	69
ALR ELECTRONICALLY ACTUATED QTRONIX.....	71
LEGREST ACTUATOR.....	74
MULTI-POSITION POWER LIFT OFF ELR/ALR FOOTPLATE.....	75
MANUAL ELR'S.....	76
POWER CHAIR ELR.....	77
ELR & ALR CALF PAD 14 -15".....	79
ELR & ALR CALF PAD 16-20".....	80
ELR ALUMINUM FOOTPLATE.....	81
ARMRESTS AND RECEIVERS.....	82
SINGLE POST ARMREST.....	82
SINGLE POST HEIGHT ADJUSTABLE ARMREST (POWER PRODUCTS).....	83

SINGLE POST HEIGHT ADJUSTABLE ARMREST RECEIVERS S636/S646/S646SE	85
DUAL POST ARMREST.....	85
DUAL POST HEIGHT ADJUSTABLE FLIP-BACK ARMREST	86
DUAL POST FIXED HEIGHT ARMREST	88
DUAL-POST HEIGHT ADJUSTABLE ARMREST RECEIVERS.....	90
RECLINING ARMREST	91
RECLINE ARMREST S636/S646/S646SE	92
RECLINING ARMREST RECEIVERS.....	94
HEADREST.....	94
HEADREST NON-RECLINE	94
HEADREST	95
UNIVERSAL HEADREST MOUNTING KIT	96
HEADREST - RECLINE BACK ASSEMBLY	97
POWERED RECLINE	97
TILT/RECLINE ASSEMBLY	98
SEAT FRAME - TILT & RECLINE	100
RECLINE BACKREST S636/S646/S646SE.....	102
DEEP CONTOUR RECLINE BACKREST ASSEMBLY	105
RECLINE WITH POWER SHEER BACK ASSM.....	107
ELECTRONICS.....	108
JOYSTICKS AND CONTROLLERS.....	108
RNET ELECTRONICS.....	108
R NET REMOTE JOYSTICKS	109
R NET ACCESSORY ELECTRONICS.....	111
R NET OMNI DISPLAY & COMPACT JOYSTICK.....	112
OPTIONAL JOYSTICK HANDLES.....	114
JOYSTICK ARM ROUND TUBE	115
CLAMP FOR ROUND ARM JOYSTICK MOUNT (FIXED).....	116
HEIGHT ADJ CLAMP FOR ROUND ARM JOYSTICK MOUNT (SPHA & DUAL POST ARMRESTS)	117
RNET CONTROLLER	118
R NET/VR2 PROGRAMMER	119
VR2 ELECTRONICS.....	119
VR2 JOYSTICKS.....	120
QTRONIX, VSI, VR2, & PILOT + PROGRAMMER	122
OPTIONAL JOYSTICK HANDLES.....	123
JOYSTICK ARM ROUND TUBE	124
HEIGHT ADJ CLAMP FOR ROUND ARM JOYSTICK MOUNT (SPHA & DUAL POST ARMRESTS)	125
VR2 CONTROLLER.....	126
R NET/VR2 PROGRAMMER	127
CLAMP FOR ROUND ARM JOYSTICK MOUNT (FIXED).....	128
ATTENDANT CONTROL ASSEMBLY	129
WIRING	130
S636 WITH RNET & VR2 WIRING	131
POWER RECLINE WIRING	133
SPECIALTY CONTROLS.....	133
ASL HEAD ARRAY	134
MINI JOYSTICK	135
QUICKIE SIP N PUFF.....	136
SWITCH IT HEAD ARRAY PACKAGE	137
MINI PROPORTIONAL CHIN CONTROL.....	138
SINGLE SWITCH DEVICES	139
ASL MINI JOYSTICK HAND CONTROL.....	140
R NET OMNI DISPLAY & COMPACT JOYSTICK	141
BATTERIES	142
BATTERIES	143
BATTERY BOX S636/S646/S646SE	144
BATTERY CHARGERS.....	144
OFF BOARD BATTERY CHARGERS.....	145
ACCESSORY ELECTRONIC MOUNTING S636.....	146
R NET ACCESSORY ELECTRONICS.....	148
TM 40 WITH TOGGLE	149
ACCESSORIES	149
VENT TRAYS.....	149
VENT TRAY ASSEMBLY S636/S646/S646SE	150
VENT TRAY ASSEMBLY - RECLINE	152
BAGS AND POUCHES	152
BACKPACKS AND SEAT POUCHES.....	153
POWER CORD POUCH	154
QUICKIE SIDE POCKET.....	155
CELL PHONE PACK.....	156

AUTO BUCKLE POSITIONING BELTS	157
POSITIONING BELT ATTACHMENT CHANNEL NUT KIT	158
TIRE PUMP	159
BACK COVER	159
Product	160

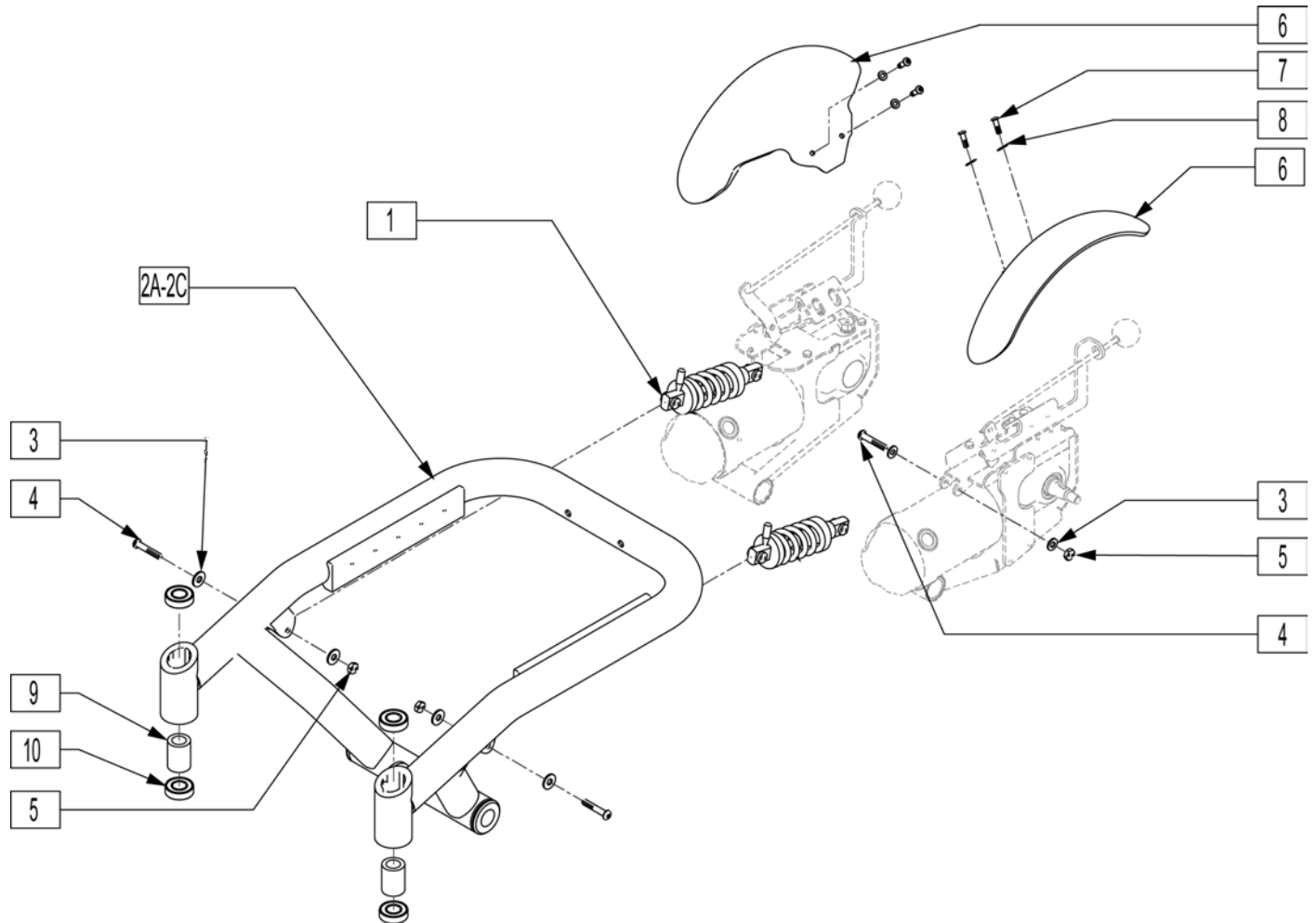
GLOSSARY OF ABBREVIATIONS

Note: see Informations Panel for file.

1AD One Arm Drive	CZ Cozy	INH Inhibit	PCB Pediatric Center of Gravity (AKA: Zippie Iris)	S/A Swing Away
3DCR 3DX Microclimatic cover for Cryo style inserts	DAB Depth-adjustable Back	INORG Inorganic coating	PCM Power Center Mount	S/F Side Frame
AAA Adult Angle Adjustable	DB Dynamic Back	INSRT Insert	PED Pediatric	SCW Screw
AACM Angle Adjustable Center Mount	DBL Double	I/O Swing In Out	PEL Pelvic	SDLE Saddle
ABD Abductor	DC Deep Contour	IRIS Intelligent Rotation in Space	PH Push Handle	SG Side Guard
AC All Court	DL Desk Length	ISM Intelligent Seating Module	PHIL Phillips	SGTG Super Grip Thumb Guard
AD Arm Drive	DP Dual Post Armrest	JA Jay Active	P/L Pin Lock	SHCS Socket Head Cap Screw
ADJ Adjustable	D-Post Dual Post Armrest	JNR Junior	PL Plated	SHLDR Shoulder
ADPT Adapter	D-PST Dual Post Armrest	KAA Kids Angle Adjustable	PLL Pull	SHT Short
AE Air Exchange	DRP Drop (seat)	KDS Kids	PLT Plate	SLD Solid
AHAB ASAP II	DRV Drive	KT Kit (usually consists of all mounting hardware for one side)	PLST Plastic	SLNG Sling
ANG Angle	DTT Diagnostic Test Tool	KVLR Kevlar	PLY Plywood	SLTD Slotted
ALR Articulating Legrest	DY Dynamic Back	KZ Quickie Kidz/Zippie Kidz	PNEU Pneumatic	SLV Steeve
ALUM Aluminum	EA Each	L Left	PNK Pink	SM Small
AMH Adjustable Mounting Hardware	ELR Elevating Legrest	LAT Lateral	PNT Paint	SNGL Single
ANO Anodized	EXT Extension	LCK Lock	PNTD Painted	SOC Socket
ASAP Adjustable Seating and Positioning	EXTND Extended	LFH Left Front Horizontal	POLY Polyurethane	SPCR Spacer
ASL Adaptive Switch Laboratories	F Folding Frame	LFT Left	POST Posterior	SPEC CLR Specify Color
ASM Assembly (includes other parts)	FHCS Flat Head Cap Screw	LFV Left Front Vertical	PR Pressure Relieving	SFHA Single Post Height Adjustable
ASSM Assembly	FL Full Length	LH Left Hand	PR Power Recline	SPK Spoke
ASSMLY Assembly	FLD Folding	LH Left Horizontal	PR Pair	SPR Super Grip Handrim
ASSY Assembly	FL FT Flip-up Footrest	LK Lock	(PR) Pair	SQZ Squeeze
AT Anti-tip	FLP Flip	LNG Long	PRCR Premium Leatherette cover for Cryo style inserts	SS Stainless Steel
ATT Attachment	FLRD Flared	LO Lift Off	PRE-ISC Pre-Ischial	ST Seat
BB Basketball	FM Foam	L/O Lift Off	PREM Premium Leatherette cover material	S/TAP Self Tapping
BC Breezy Chrome	FM Front Mount	L Loop	PROJ Projection	STCR Stretch Cover for Cryo Style inserts
BCK Back	FPH Folding Push Handle	LPS Loops	PRPL Purple	STD Standard
BCKBRD Backboard	FT Foot	LRG Large	PTL Partial	STL Style
BH Button Head	F/REST Footrest	LRH Left Rear Horizontal	PSH Push	STR Stretch cover material
BHCS Button Head Cap Screw	FRNT Front	LRV Left Rear Vertical	PT Point	STRLLR Stroller
BKL Buckle	FT PLT Footplate	LS Low Sheer	PTRN Pattern	STRT Straight
BKRST Backrest	FTRST Footrest	LT Long Tab	PWR Power	SUP Support
B-LOCK Back Lock	F/UP Flip-up	LT Natural Fit Lite Handrims	Q1 Quickie 1	SYS System
BLD Build Up	FWD Front Wheel Drive	LTRL Lateral	Q2 Quickie 2	T Tab
BLK Black	FXT Fixed	LUMB Lumbar	Q2HP Quickie 2 High Performance	TG Thumb Guard (std)
BLU Blue	G8 Grade 8 higher grade = stronger	LV Left Vertical	QC Quickie Carbon	THRD Threaded
BR Breezy	GP Quickie GP	LW Low	QR Quick Release	Ti Titanium
BRD Board	GPS Quickie GPS	LX Quickie LX	QRx Quickie RX	TL Tall
BRNG Bearing	GPV Quickie GPV	LXI Quickie LXi	QTI Quickie Titanium	TLC Tilt Lift Comb
BRKT Bracket	GNRC Generic	MACH Machine	QT/QTs Quickie Tilt & Space	TLT Tilt
BSHNG Bushing	H Hole	MECH Mechanism	QUAD Quadrant Pad	TNNS Tennis
BTTN Button	HB High Brake	MED Medium	R Right	TTS Tilt-in-Space
BTRY Battery	HD Head or Heavy Duty	mm Millimeter	RCLNR Recliner	TTV Tilt-in-Space
BZ Breezy	H/D Heavy Duty	MNT Mount	REC Receiver	UNIV Universal
CAA Composite Angle Adjustable	HDRST Headrest	MNTG Mounting	REG Regular	UNTHRD Unthreaded
CG Center of Gravity	HDWR Hardware	MOD Modify or Modification	REL Release	UPH Upholstery
CGT Center of Gravity Tilt (AKA: IRIS)	HEX Hexagon	M/S Machine Screw	REV Reverse	VERT Vertical
CHRGR Charger	HH Hemi-Height or Hex Head	MWD Mid Wheel Drive	RH Right Hand	W With
CJSM Color Joystick Module	HK Hook	Nat.Fit Natural Fit Handrim	RH Right Horizontal	W/ With
CLMP Clamp	HL Heel Loops	NAUG Naugahyde	RFH Right Front Horizontal	W/F Water Fall
CLNCHR Clincher	HM High Mount	NF Non-folding	RFV Right Front Vertical	W/O Without
CLR Clear	HNDL Handle	NF Natural Fit Handrim	RNUT(S) Rivnut(s)	WHL Wheel
COMP Complete	HNGR Hanger	NFLT Natural Fit Handrim	RoHS Restriction of Hazardous Substances	WLDMNT Weldment
CMPST Composite	HP High Pressure	NR Non-recessed	RR Rear	XS Cross Spoke
CRM Chrome	HR Handrim	OBLIQ Obliquity	RRH Right Rear Horizontal	YLW Yellow
C/S Cap Screw	HRDWR Hardware	OBLQ Oblique	RRV Right Rear Vertical	Z2 Zippie 2
C-S Countersunk	HRNSS Harness	O/S Outer/Outside Dimension	RT Right	ZN Zinc
CSTR Caster	HS High Speed	O/S Old Style	RV Right Vertical	ZP Zippie
CUSH Cushion	HT Height or Heat Treated	OUTBRD Outboard	RV Quickie Revolution	ZP2 Zippie 2
CV Conventional	ID Inner/Inside Dimension Diameter	P1 Quickie P100	RWD Rear Wheel Drive	
CVR Cover	IN In/Out (for swing in/out hangers)	P2 Quickie P200	SA Swing Away	
CVRS Covers	INBRD Inboard	P3 Quickie P300		
CYL Cylinder	INC Incontinent	P5 Quickie/Zippie P500		

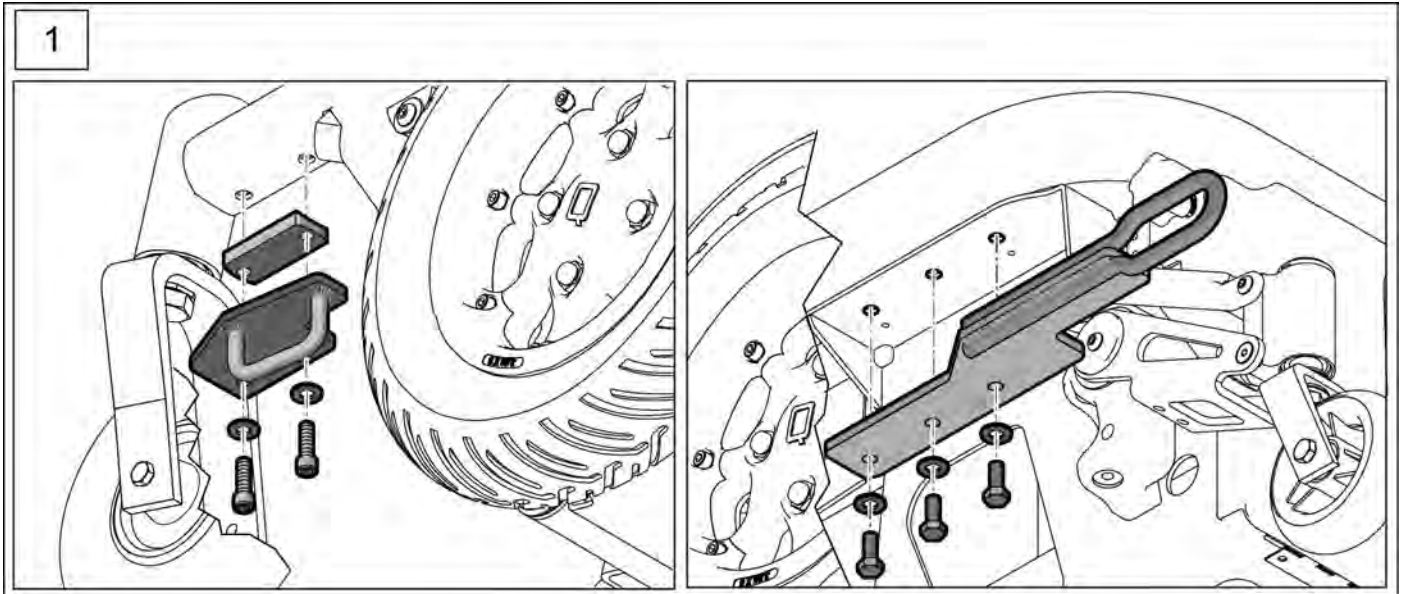
Pos.	Item Number	Description	Remarks
		GLOSSARY OF ABBREVIATIONS	see attachment in Informations Panel

NOTE: BASE FRAME ASSEMBLIES (115084-115089) INCLUDE CASTER BEARINGS AND SPACERS (ITEMS 9 AND 10), ANTI-FLUTTER DISCS AND BEARING SNAP RINGS (NOT SHOWN). FOR ITEMS 9&10 PLEASE SEE S636/S646/S646SE FRONT FIXED FORK AND CASTER ASSEMBLY PAGE.



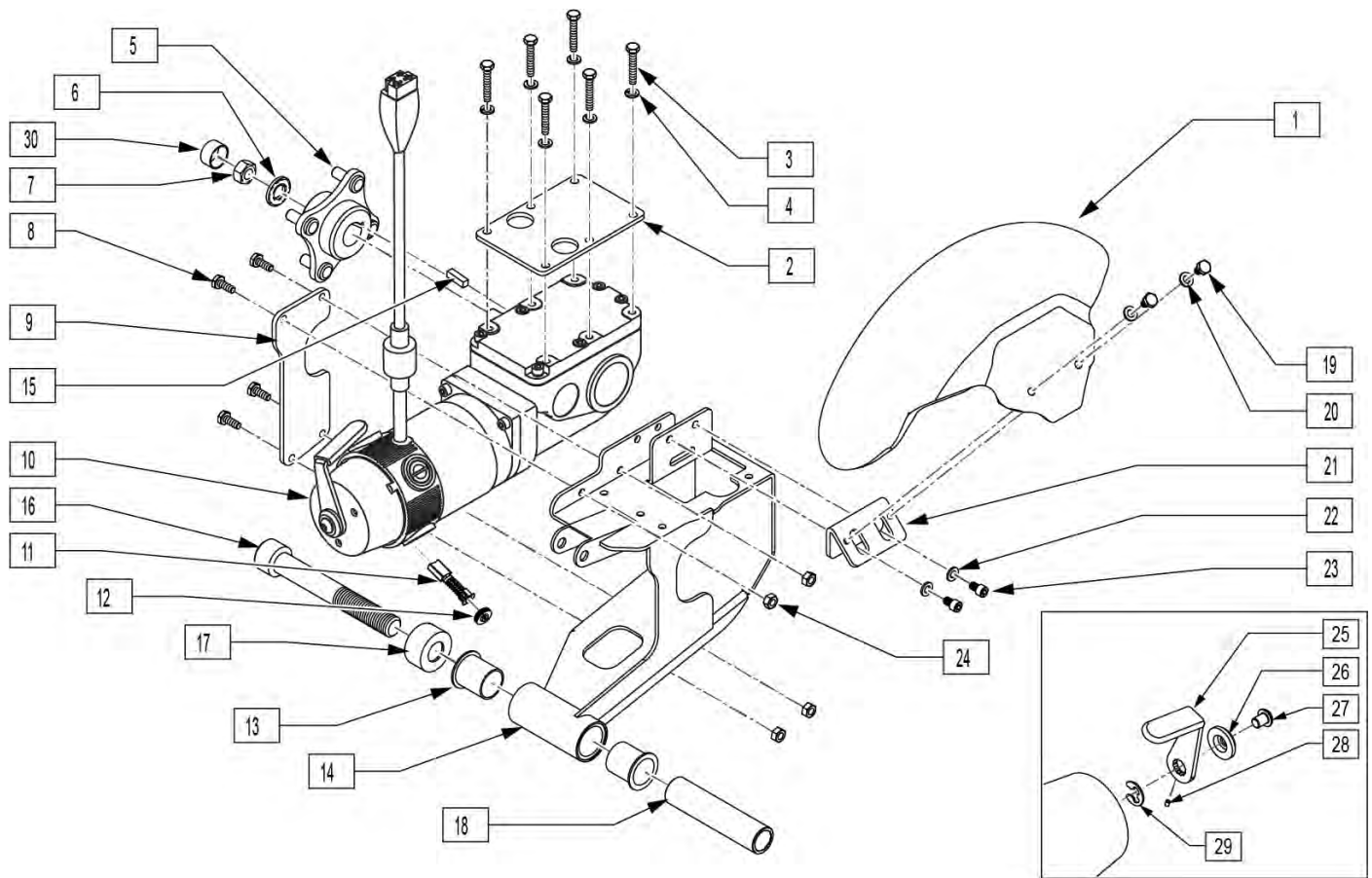
Pos.	Item Number	Description	Remarks
1	883040	SHOCK ASSEMBLY 250lb	For under 250lb user weight
1	883041	SHOCK ASSEMBLY 400lb	For 250lb - 400lb user weight
1	883042	SHOCK ASSEMBLY 250lb TILT	For under 250lb user w/ power seating
1	883043	SHOCK ASSEMBLY 400lb TILT	For 250lb - 400lb user w/ power seating
3	106947	WASHER FLAT THIN AN 5/16 ROHS	
4	222235	5/16-18 x 1 3/4" HEX C/S BLK	
5	202117	5/16-18 NYLOCK NUT THICK BLK	
6	562774	DRIVE WHEEL FENDER 4-POLE R	Right
6	562775	DRIVE WHEEL FENDER 4-POLE L	Left
7	221203	1/4-28 x 3/8 HEX C/S W/PATCH	
8	106943	WASHER FLAT AN 1/4 ROHS	
2A,9,10	115084S	BASE FRAME S646 16" W/BRNG	S646-14-20" WIDE SEAT
2A,9,10	115085S	BASE FRAME S646 18" W/BRNG	S646-22-24" WIDE SEAT
2B,9,10	115086S	BASE FRAME S646SE 16" W/BRNG	S646SE-14-20" WIDE SEAT
2B,9,10	115087S	BASE FRAME S646SE 18" W/BRNG	S646SE-22-24" WIDE SEAT
2C,9,10	115088S	BASE FRAME S636 16" W/BRNG	S636-14-20" WIDE SEAT
2C,9,10	115089S	BASE FRAME S636 18" W/BRNG	S636-22-24" WIDE SEAT

Note: Transit Kit only available for chairs built after S/N S63A-143201.



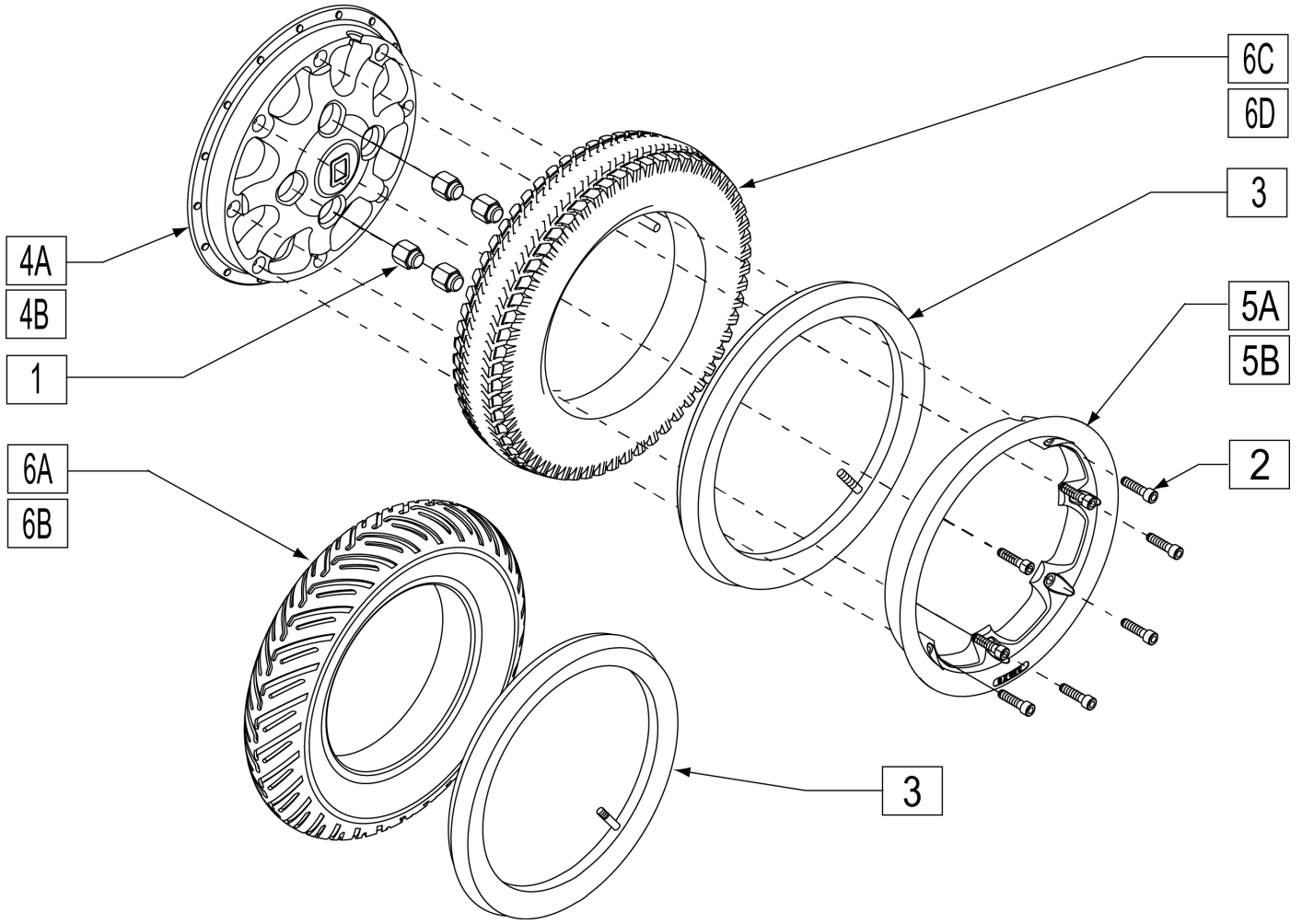
Pos.	Item Number	Description
1	119189	636 TRANSIT KIT

Note: effective for chairs with serial number prefix S63A prior to S63A-143733.



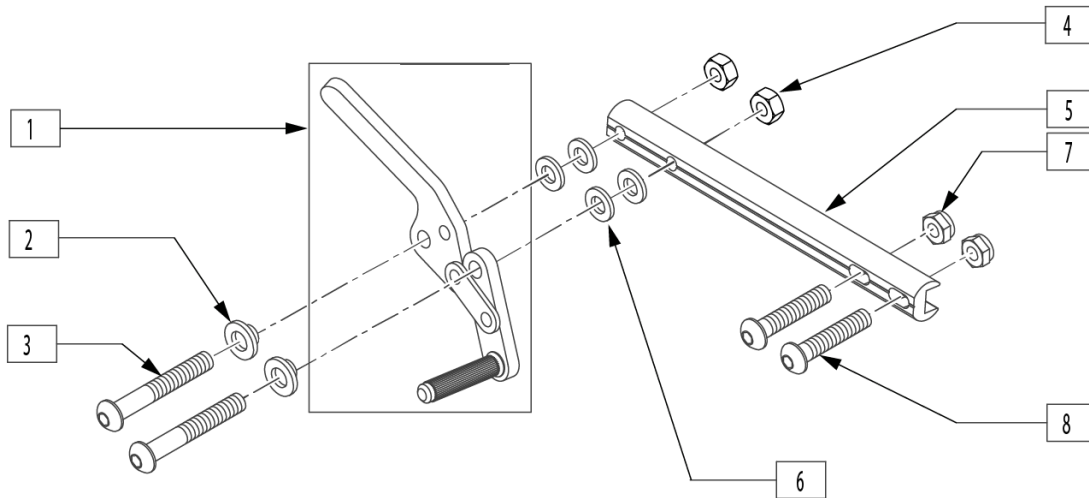
Pos.	Item Number	Description	Remarks
1	562774	DRIVE WHEEL FENDER 4-POLE R	
1	562775	DRIVE WHEEL FENDER 4-POLE L	
2	101349	ADPTR PLT SCHMIDT TO 646	
3	234895	M6-35 HEX C/S	
4	262122	1/4" SPLIT RING LOCK WASHER	
5	362246	HUB .85" OFFSET ID B TS	
6	264101	1/2 WASHER HARDENED FLAT	
7	210002	M12 x 1.75 ALL MTL PREV TRQ NT	
8	221102	1/4-28 x 3/4 HEX C/S BLK W/PAT	
9	505673	MTR MNT BOLTED SIDE PLATE	
11,12	112281	BRUSH/CAP SET 4 POLE	4 Brushes, 4 Caps
15	341269	#606 WOODRUFF KEY STEEL	
16	220081	3/4-10 x 5-1/2 SOC HD BLK	
17	330004	SUSPENSION CAP S626	
18	505538	SWING ARM PIVOT SLEEVE	
19	221203	1/4-28 x 3/8 HEX C/S W/PATCH	
20	106943	WASHER FLAT AN 1/4 ROHS	
21	115338	BRACKET FENDER MOUNT	
22	106944	WASHER FLAT THIN AN 1/4 ROHS	
23	221204	1/4-28 x 3/8 SOC C/S W/PATCH	

Pos.	Item Number	Description	Remarks
24	204110	1/4-28 NYLOCK NUT BLK ZN	
8,9,13,14,24	882501	MOTOR MOUNT LH	LEFT
8,9,13,14,24	882502	MOTOR MOUNT RH	RIGHT
10	115787	MOTOR 10KPH 4 POLE LH S646	LEFT
10	115788	MOTOR 10KPH 4 POLE RH S646	RIGHT
1-24	116247	MTR ASSM W/FNDR R	RIGHT
1-24	116248	MTR ASSM W/FNDR L	LEFT
25-29	116067	MTR BRAKE REL HANDLE KIT	



Pos.	Item Number	Description	Remarks
1	200135	CONICAL LUG NUT	
2	221116	1/4-20 X 1 SOC HD BLK	
3	384739	INNER TUBE 14"X 3" 90D STEM	
4A	400782	INNER WHEEL 8 SPOKE CAST	
4B	400786	INNER WHEEL 8 SPOKE GLOSS BLACK	
5A	400784	OUTER WHEEL WIDE CAST	
5B	400785	OUTER WHEEL CHROME	
6A	384520	3.00 X 8" PNEUMATIC V GROOVE TIRE	
6B	384262	3.00 X 8" V-GROOVE W/INSRT 5 SPK	
6C	384709	TIRE PNEU 14" X 3" (KNOBBY)	
6D	384261	3.00 X 8" KNOBBY W/INSRT 5 SPK	
2-3,4A,5A,6C	762086	WHL 8 SPK 3x8 KNOB PNEU CAST	CAST WHEEL, PNEUMATIC GREY TIRE
2,4A,5A,6D	124579	WHL 8 SPK 3x8 KNOB DD CAST	CAST WHEEL, GREY TIRE, SOLID INSERT
2-3,4B,5B,6C	762092	WHL 8 SPK 3x8 KNB PNU BLK & CHROME	BLACK & CHROME WHEEL, PNEUMATIC GREY TIRE
2,4B,5B,6D	124578	WHL 8 SPK 3X8 KNB DD BLACK	BLACK & CHROME WHEEL, GREY DUAL DENSITY TIRE, SOLID INSERT
1,2	101531	DRIVE WHEEL HDWR KIT	INCLUDES QTY 4 OF ITEM 1 AND QTY 8 OF ITEM 2

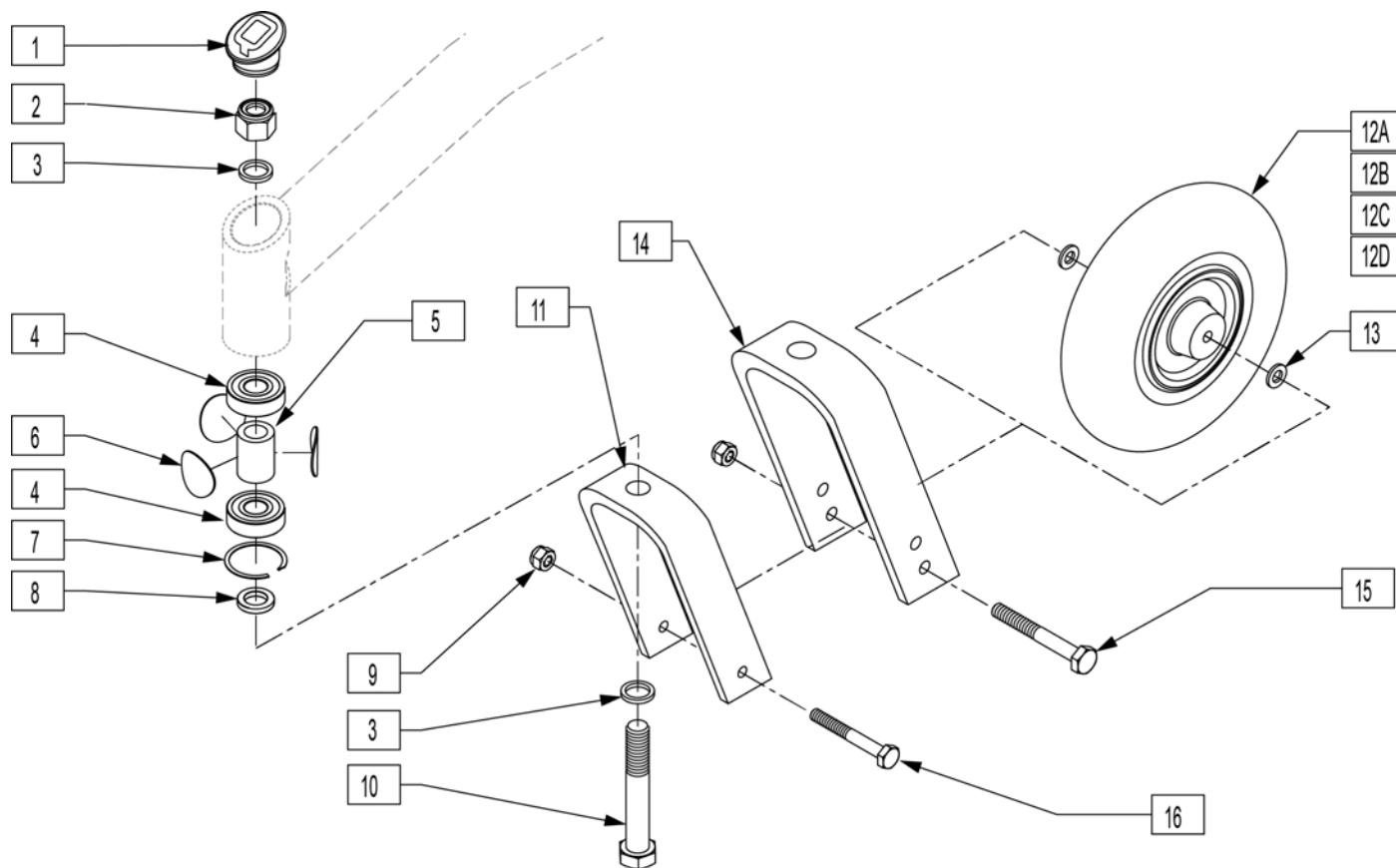
Note: the Wheel Locks for Chair or Replacement Part orders shipped on or after 6/27/17 have upgraded mounting hardware; please replace in pairs for chairs ordered prior to 6/27/17.



Pos.	Item Number	Description	Remarks
1	881748	WHEEL LOCK ASSM R PUSH	RIGHT
1	881749	WHEEL LOCK ASSM L PUSH	LEFT
2	560126	.250 ID .312 OD BUSHING PLST	
3	226107	1/4-28 x 1" BH C/S BLK	
4	106941	NUT AUTOMATION 1/4-28	
6	561028	1/4" NYLON WASHER	
7	204110	1/4-28 NYLOCK NUT BLK ZN	
8	226064	1/4-28 x 3/4 BH C/S BLK W/PTCH	
1-8	885970	WHEEL LOCK S646 RH	RIGHT
1-8	885971	WHEEL LOCK S646 LH	LEFT
1-8	901586	WHEEL LOCK PUSH ASSM	PAIR

Note: Quickie S-626 effective 6/12/02, beginning s/n S62-13297; Quickie S-626 transitioned into the Quickie S-646 beginning 7/26/02.

NOTE: items 4-7 are included in S-636/S-646/S-646SE Base Frame assemblies; see Frame page.



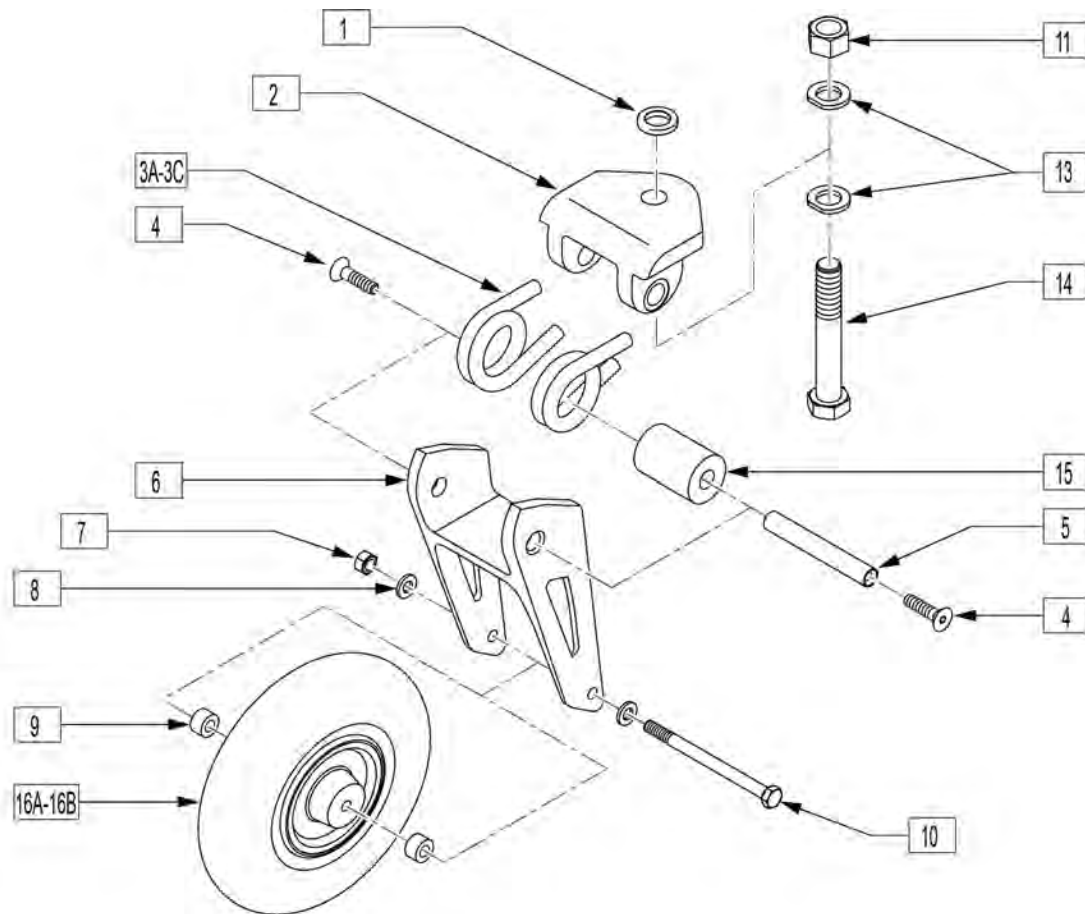
Pos.	Item Number	Description	HCPC	Remarks
1	567001	CASTER CAP S525		
2	203108	5/8-18 NUT NYLOCK		
3	250098	5/8 CASTER FORK WASHER		
4	349609	BEARING 40 x 5/8 x 12 THK		
5	526063	BEARING SPACER CASTER		
6	561265	ANTI FLUTTER DISC .080 x 1.350		
7	320021	RETAINING RING CASTER BRNG		
8	481480	CASTER FORK SPACER		
9	202106	5/16-24 NYLOCK NUT THIN BLK		
10	226334	5/8-18 x 4 HEX HEAD C/S		
11	550787	8 x 2 FORK S626		Used w/ 8x2 Caster
12A	400700	8" x 2" CMPST W/PNEU & BEARING	K0071	TIRE IS LIGHT GREY IN COLOR
12B	400750	9 x 3 CSTER WHL ASSM PNEU S626	K0071	TIRE IS LIGHT GREY IN COLOR
12C	400702	8" x 2" CMPST WHL SOLID BRG	K0077	TIRE IS DARK GREY IN COLOR
12D	400751	9 x 3 CSTR WHL ASSM SOLID S626	K0077	TIRE IS DARK GREY IN COLOR
13	263100	5/16 AN WASHER FLAT		
14	550696	10 x 3 CASTER FORK S626		Used w/ 9x3 Caster

Pos.	Item Number	Description	HCPC	Remarks
15	222206	5/16-24 x 4-3/4 HH C/S GR8 BK ZN		Used w/ 9x3 Caster
16	222257	5/16-24 x 3 1/2" G8 HEX C/S		Used w/ 8x2 Caster
3,9-11,13,16	781000	8" x 2" FORK/STEM W/HDWR S626		Used w/ 8x2 Caster
3,9-10,13-15	781001	9" x 3" FORK/STEM W/HDWR S626		Used w/ 9x3 Caster
3,9-11,12A,13,16	787146	FIXED FORK PNEU 8x2 ASSM S626		
3,9-10,12B,13-15	787147	FIXED FORK PNEU 9x3 ASSM S626		
3,9-11,12C,13,16	787148	FIXED FRK SLD IN 8x2 ASSM S626		
3,9-10,12D,13-15	787149	FIXED FRK SLD IN 9x3 ASSM S626		

SUSPENSION CASTER & FORK

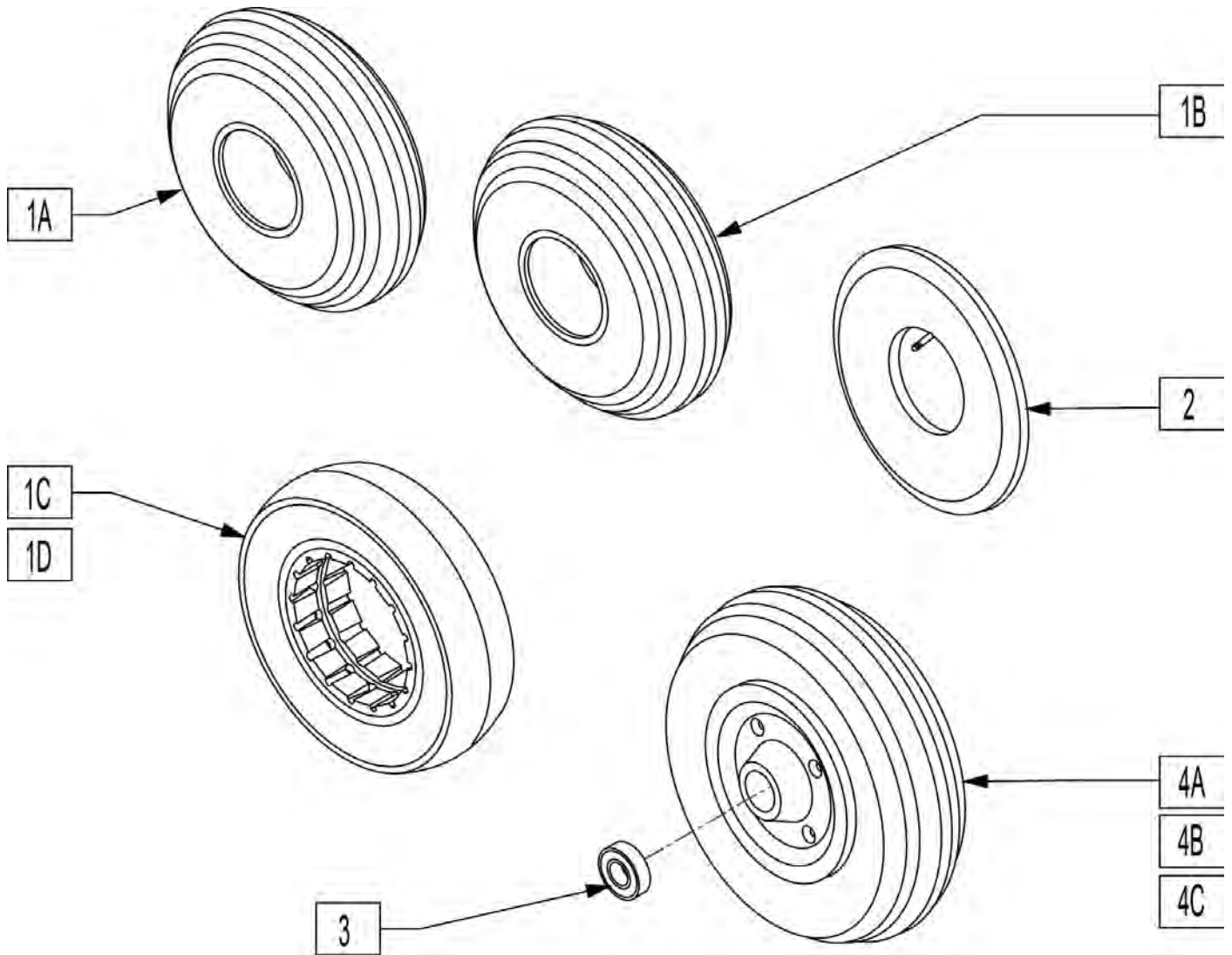
[10/2011]

NOTE: (Effective 1/20/03)

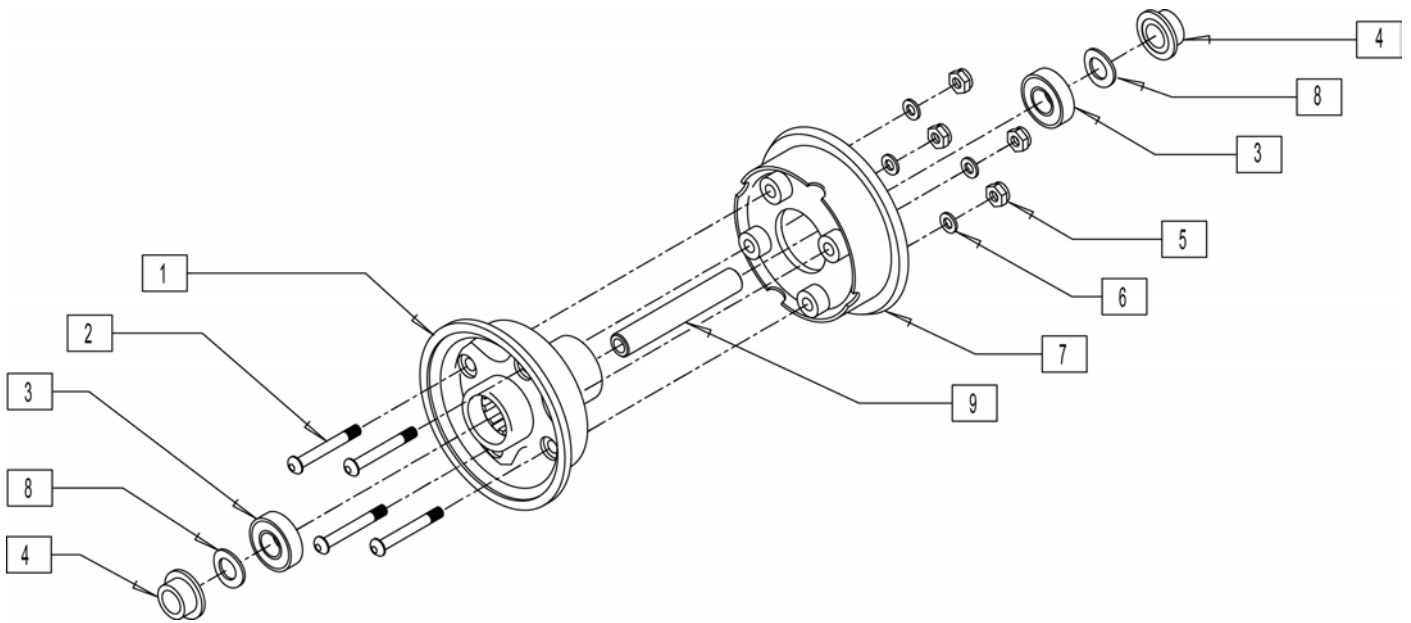


Pos.	Item Number	Description	HCP	Remarks
1	481480	CASTER FORK SPACER		
2	505804	SUSP FORK TOP PLT ASSM		
3A	321736	TORSION SPRING .31 RH		RIGHT - 0-150lbs
3A	321735	TORSION SPRING .31 LH		LEFT - 0-150lbs
3B	321738	TORSION SPRING .33 RH		RIGHT - 151-250lbs
3B	321737	TORSION SPRING .33 LH		LEFT - 151-250lbs
3C	321740	TORSION SPRING .36 RH		RIGHT - 251-400lbs
3C	321739	TORSION SPRING .36 LH		LEFT - 251-400lbs
4	222296	5/16-18 x 1-1/4 FH C/S W/PATCH		
5	481484	FRONT SUSPENSION PIVOT SHAFT		
6	506155	FRONT SUSP FORK		
7	202106	5/16-24 NYLOCK NUT THIN BLK		
8	263100	5/16 AN WASHER FLAT		
9	505934	SPACER 8 x 2 CASTER		
10	222261	5/16-24 x 4-1/4 HHCS GR8 BK ZN		
11	203108	5/8-18 NUT NYLOCK		
13	250098	5/8 CASTER FORK WASHER		
14	226334	5/8-18 x 4 HEX HEAD C/S		
15	560484	SPRING CENTER DAMPENER		

Pos.	Item Number	Description	HPCP	Remarks
16A	400702	8" x 2" CMPST W/PNEU INSRT&BRG	K0072	
16B	400700	8" x 2" CMPST W/PNEU & BEARING	K0071	
2,3A-6,13-15	787250	SUSP, FORK ASSM, .31 SPRNG		0-150lbs
2,3B-6,13-15	787251	SUSP, FORK ASSM, .33 SPRNG		151-250lbs
2,3B-6,13-15	787252	SUSP, FORK ASSM, .36 SPRNG		251-400lbs
1,-3A,4-15	787260	SUSP FORK ASSM .31 SPRNG W/HDW		0-150lbs
1,-3B,4-15	787261	SUSP FORK ASSM .33 SPRNG W/HDW		151-250lbs
1,-3C,4-15	787262	SUSP FORK ASSM .36 SPRNG W/HDW		251-400lbs
1,-3A,4-16A	787270	SUSP FRK .31 SPRNG 8x2 INSERT		0-150lbs
1,-3B,4-16A	787271	SUSP FRK .33 SPRNG 8x2 INSERT		151-250lbs
1,-3C,4-16A	787272	SUSP FRK .36 SPRNG 8x2 INSERT		251-400lbs
1,-3A,4-16B	787273	SUSP FRK .31 SPRNG 8x2 PNEU		0-150lbs
1,-3B,4-16B	787274	SUSP FRK .33 SPRNG 8x2 PNEU		151-250lbs
1,-3C,4-16B	787275	SUSP FRK .36 SPRNG 8x2 PNEU		251-400lbs



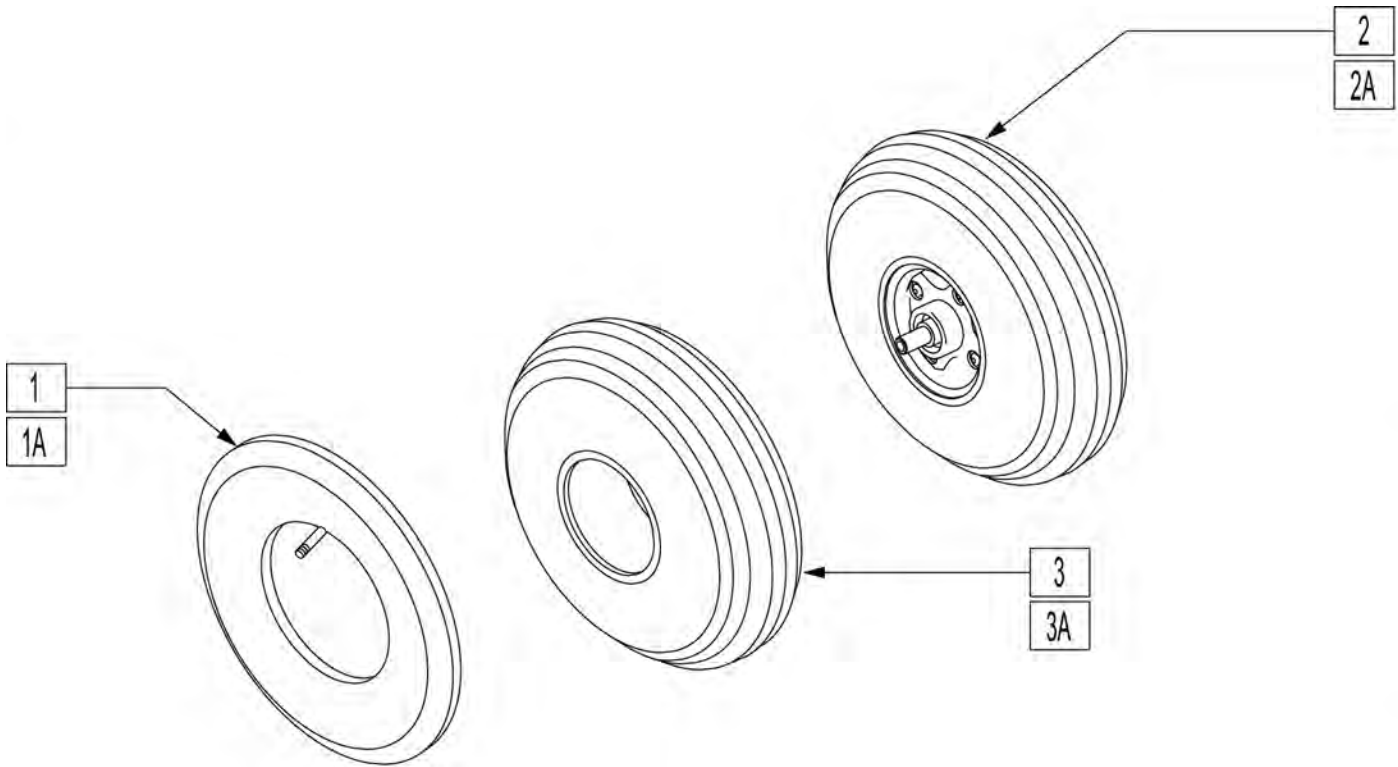
Pos.	Item Number	Description	HCPC
1A	384700	TIRE PNEUMATIC 8" x 2"	E2214
1B	384701	TIRE FOAMED INSERT 8" x 2"	E2219
1C	384254	8" x 2" SOLID TIRE	E2215
1D	384253	7" x 1 3/4" SOLID TIRE	K0071
2	384730	INNER TUBE CASTER 8" x 2"	K0077
3	349502	7/8 X 5/16 BEARING	K0072
4	400700	8" x 2" CMPST W/PNEU & BRNG	E2221
4	400701	8" x 2" CMPST W/SOLID & BR	E2221
4A	400702	8" x 2" CMPST W/PNEU INSERT & BRNG	



Pos.	Item Number	Description	HCPC
4	560790	SPACER 10" CASTER	
1-3,5-9	400715	10" PLST CASTER STAR ASSM	E2225

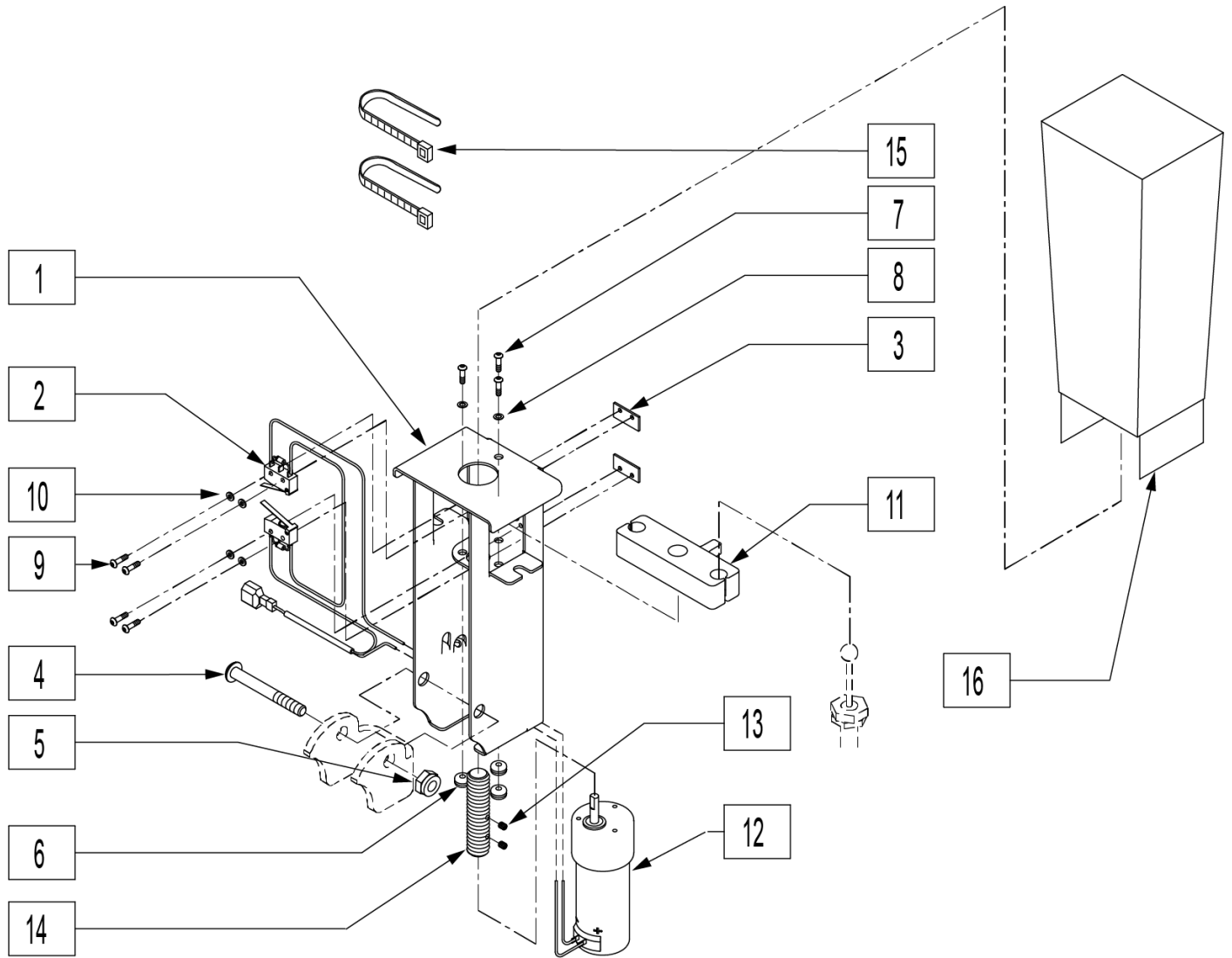
9 INCH CASTER TIRES

[09/2007]



Pos.	Item Number	Description	HPCP
1	384732	INNER TUBE 10" x 3"	E2115
1A	384733	9" x 3" TUBE 280/250-4	E2115
2	400750	9" x 3" CASTER WHL ASSM PNEU S626	K0071
2A	400751	9" x 3" CASTER WHL ASSM SOLID S626	K0077
3	381716	9" x 3" RIB-GROOVE TIRE	E2114
3A	384742	9" x 3" RIB-GROOVE SOLID TIRE	E2221

Note: lock-out mechanism used with power recline only.

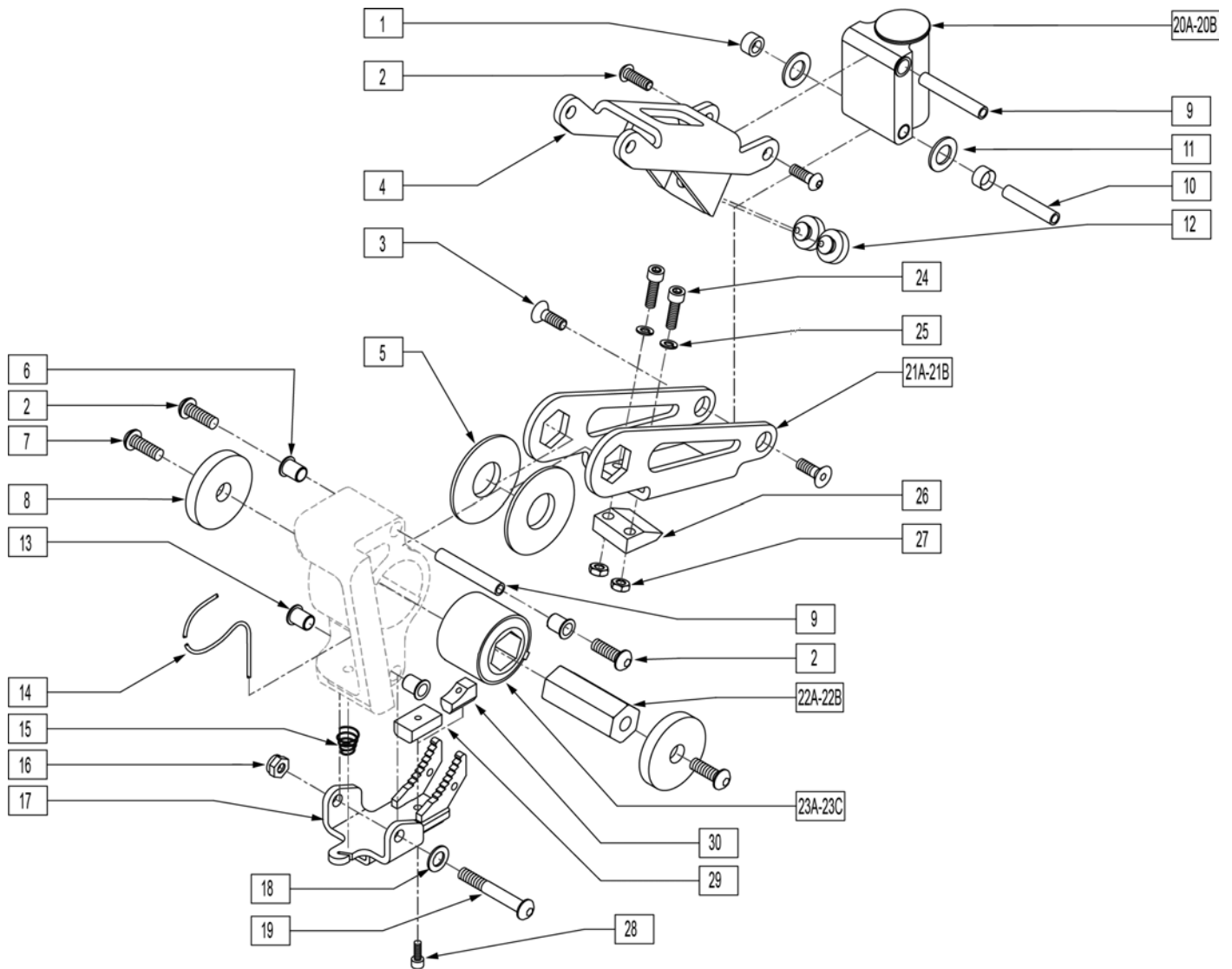


Pos.	Item Number	Description
1	505636	MOTOR ENCLOSURE
2	139455	TILT LIMIT SWITCH HARNESS S626
3	124500	TILT LIMIT SWITCH PLATE
4	226217	5/16-18 x 2" BH C/S BLK
5	202116	5/16-18 NYLOCK NUT THIN BLK
6	349585	GROMMET RUBBER 3/16 X 1/16
7	281036	4-40 x 3/8 PAN PHIL M/S BLK
8	200306	WASHER FLAT #4 .312 OD x .125 ID
9	281013	2-56 x 1/2 PAN PHIL M/S BLK
10	261536	#2 x 1/4 FLAT WASHER
11	342086	ACME DRIVE NUT
16	755215	MOTOR ENCLOSURE COVER
1-16	882019	LOCK OUT MECH TILT/RECLINE 626

ANTI-TIP COMPONENTS

[09/2011]

NOTE: FOR CASTER PLATE ASSEMBLY COMPONENTS, PLEASE SEE ANTI-TIP CASTER ASSEMBLY

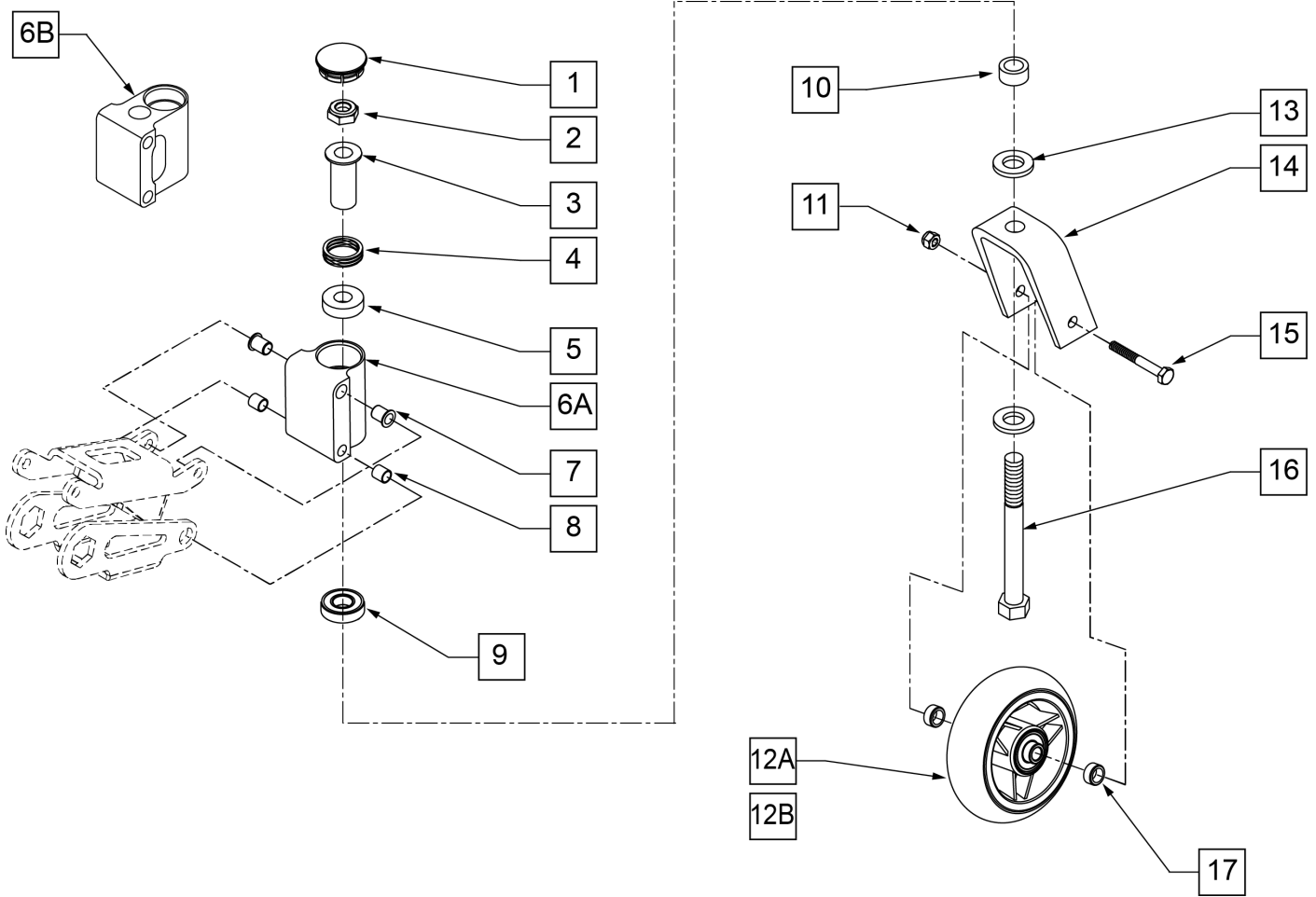


Pos.	Item Number	Description	Remarks
1	349525	ANTI TIP LOWER LINK BEARING	
2	221091	1/4-28 x 1/2 BH C/S BLK W/PTCH	
3	222295	1/4-28 x .63 FH C/S W/PATCH	
5	261527	ANTI TIP HEX THRUST WASHER	
5	261533	ANTI TIP HEX THRUST WSHR LITE (1/2")	
6	340172	BUSHING IGUS	
7	220125	1/4-20 x 3/4 BH C/S W/PATCH BLK	
8	261207	1/4 x 1 1/2 FENDER WASHER	
9	526098	ANTI TIP PIVOT BAR LONG	
10	526068	ANTI TIP PIVOT BAR	
11	261529	ANTI TIP THRUST WASHER	
12	330130	SEAT MOUNT BUMPER	
13	340172	BUSHING IGUS	

Pos.	Item Number	Description	Remarks
14	342090	ANTI TIP ACTUATION CABLE	
15	321733	.72 OD x .28 OD x 1 CC SPRG	
16	202116	5/16-18 NYLOCK NUT THIN BLK	
17	542566	ANTITIP LOCKOUT WELDMENT	
18	106947	5/16 AN WASHER FLAT THIN	
19	226231	5/16-18 x 2 1/2 BH C/S BLK	
20A	920510	ANTI TIP CASTER PLT ASSM S626	
20B	920511	ANTI TIP CSTR PLT LNG ASM S626	used w/ vent-batt tray
21A	505586	ANTI TIP LOWER LINK LONG	
21B	505599	ANTI TIP LOWER LINK 1/2" HEX	
22	505514	ANTI TIP ELASTOMER HEX	
22A	505663	ANTI TIP ELASTOMER HEX LIGHT (1/2")	
23A	321000	TORSILASTIC SPRING LIGHT	
23B	321001	TORSILASTIC SPRING MEDIUM	
23C	321003	TORSILASTIC SPRG LT SM HEX (1/2")	
24	226107	1/4-28 x 7/8 SOC C/S	
25	106943	1/4 AN WASHER FLAT	
26	554052	ANTI TIP KNIFE	
27	106934	1/4-28 NYLOCK NUT	
28	455060-QU	10-24 x 1/2 ALLEN SOC HD SCW	
29	505914	ANTI TIP BLOCK	USED WITH ITEM 30
30	505919	BLOCK, ANTI TIP, .62	
4,12	881198	ANTI TIP UPPER LINK ASSM	
13-19	881677	ANTI-TIP LOCKOUT LATCH ASSM	
13-19,21B,24-30	881678	ANTI TIP LCKOT LTCH SMRT ST LT	
13-19,21A,24-30	881679	ANTI TIP LCKOT LTCH SMRT ST HV	
1-12,20A,21A,22B,23C	882090	ANTI TIP ASSM 175LB S626	
1-12,20A,21B,22B,23C	882091	ANTI TIP ASSM 250LB S626	
1-12,20A,21A,22A,23A	882092	ANTI TIP ASSM 400LB S626	
1-12,20A,21B,22B,23C	882093	ANTI TIP ASSM TILT 250LB S626	
1-12,20A,21B,22B,23C	882094	ANTI TIP ASSM TILT 175LB S626	
1-20A,21A,22A,23B	882095	ANTI TIP ASSM TILT 400LB S626	
1-20B,21B,22A,23B	882096	ANTI TIP ASSM TLT W/VENT 175LB	
1-20B,21B,22A,23B	882097	ANTI TIP ASSM TLT W/VENT 250LB	
1-20B,21B,22A,23B	882098	ANTI TIP ASSM TLT W/VENT 400LB	
1-12,20B,21A,22A,23A	882110	ANTI TIP ASSM STD W/VENT 175LB	
1-12,20B,21A,22A,23B	882111	ANTI TIP ASSM STD W/VENT 250LB	
1-12,20B,21A,22A,23B	882112	ANTI TIP ASSM STD W/VENT 400LB	
1-20A,21B,22B,23C,24-29	882930	ANTI TIP ASSM SMRT 175LB S646	
1-20A,21B,22B,23C,24-29	882931	ANTI TIP ASSM SMRT 250LB S646	
1-20B,21A,22A,23B,24-29	882932	ANTI TIP ASSM SMRT W/VNT 175LB	
1-20B,21A,22A,23B,24-29	882933	ANTI TIP ASSM SMRT W/VNT 250LB	

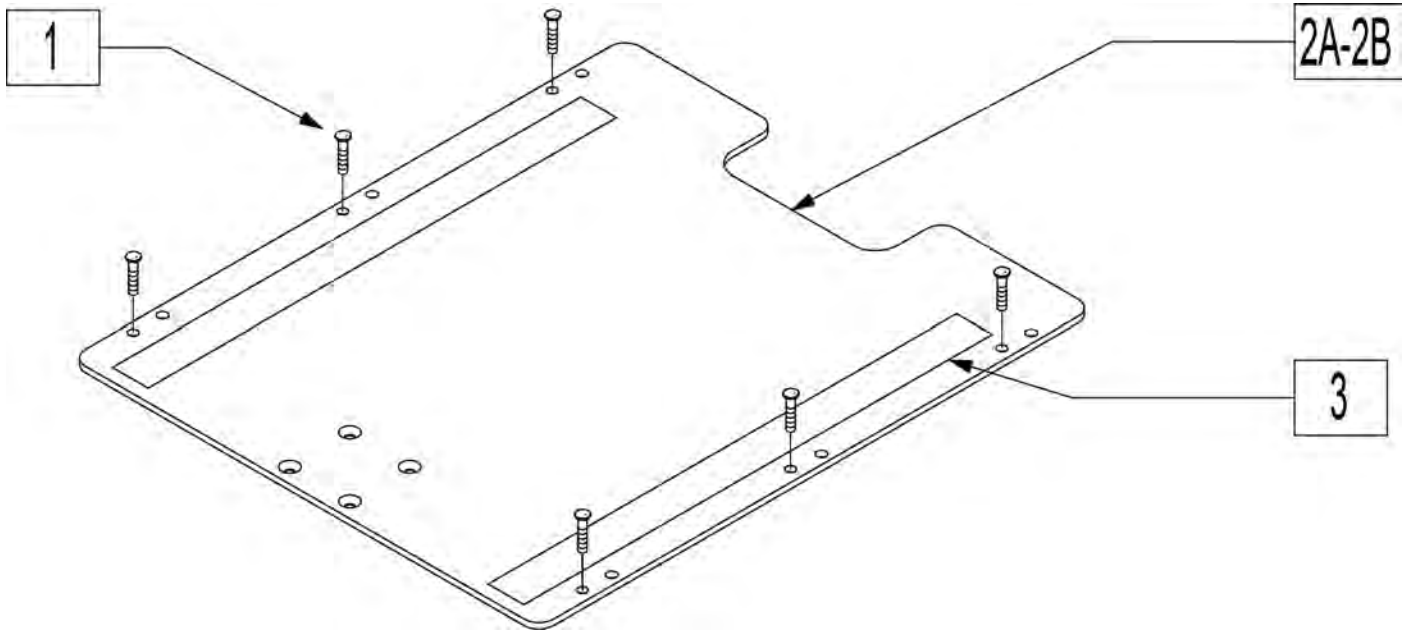
ANTI-TIP CASTER ASSEMBLY

[03/2011]

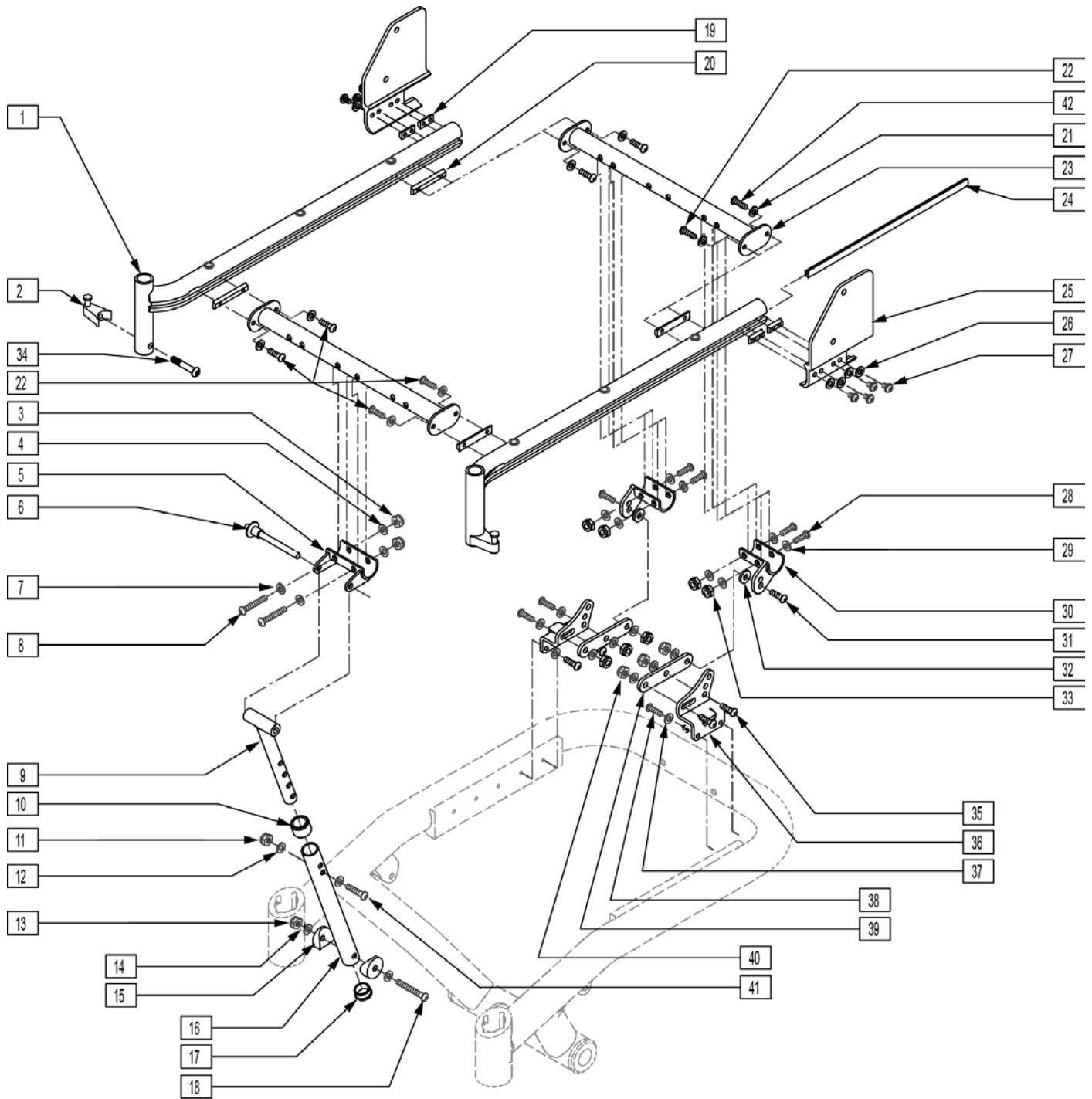


Pos.	Item Number	Description	Remarks
1	561070	CASTER CAP PLASTIC	
2	203101	1/2-20 LIGHT HEX LOCKNUT THIN	
3	481511	FLANGE BUSHING REG B51	
4	321166	SPRING ANTI-FLUTTER SS B51	
5	349643	BUSHING BRONZE B51	
6A	505513	ANTI TIP CASTER HOUSING	
6B	505519	ANTI TIP CASTER HOUSING EXTND	
7	340172	BUSHING IGUS	
8	340160	BUSHING 3/8 x 5/16ID x 3/8	
9	349500	1 1/8 x 1/2 BEARING	
10	481246	CASTER SPACER STD STEEL	
11	202116	5/16-18 NYLOCK NUT THIN BLK	
12A	400098	4" SOFT POLY CASTER	
12B	400108	4" MICRO CASTER LIGHTED	
13	264101	1/2 WASHER HARDENED FLAT	
15	222242	5/16-18 x 2 1/2 HEX C/S	
16	222290	1/2-20 x 3 1/4 GR8 HEX C/S	
17	505562	ANTI-TIP WHEEL SPACER S646	Used w/ Lighted Casters only
2,10,11,12A,13-17	780926	ANTI-TIP CASTER FORK ASSEMBLY S626	
2,10,11,12B,13-17	780935	ANTI TIP CSTR FRK ASSM LIGHTED	
1,3 -6A,7-9	920510	ANTI-TIP CASTER PLT ASSEMBLY S626	
1,3 -6B,7-9	920511	ANTI-TIP CASTER PLT LONG ASSEMBLY S626	Used w/ Vent Tray only

Pos.	Item Number	Description	Remarks
1-6A,7-10,13,14,16	118442	ANTI-TIP CSTR PLT FORK ASSM	
1-6B,7-10,13,14,16	118443	ANTI-TIP CSTR PLT FRK ASM LNG	Used w/ Vent Tray only



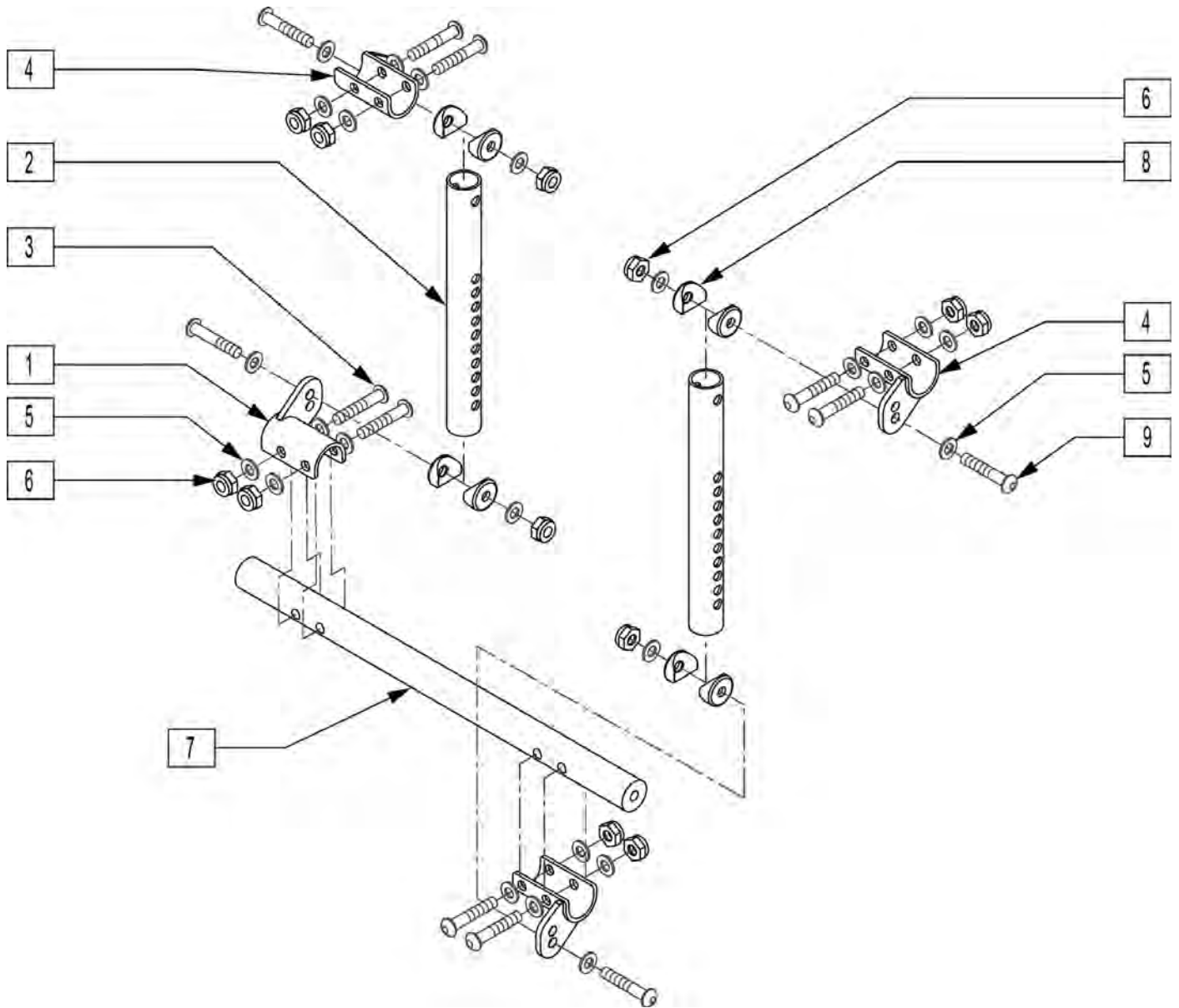
Pos.	Item Number	Description	Remarks
1	281122	10-32 x 3/4 PAN PHIL	
3	901170	SEAT SLING VELCRO® STRIP	
2A,3	688260	SEAT PAN ASSM 14W STD S626	14"-18" Seat Depth
2A,3	688261	SEAT PAN ASSM 15W STD S626	14"-18" Seat Depth
2A,3	688262	SEAT PAN ASSM 16W STD S626	14"-18" Seat Depth
2A,3	688263	SEAT PAN ASSM 17W STD S626	14"-18" Seat Depth
2A,3	688264	SEAT PAN ASSM 18W STD S626	14"-18" Seat Depth
2A,3	688265	SEAT PAN ASSM 19W STD S626	14"-18" Seat Depth
2A,3	688266	SEAT PAN ASSM 20W STD S626	14"-18" Seat Depth
2A,3	688267	SEAT PAN ASSM 22W STD S626	14"-18" Seat Depth
2A,3	688268	SEAT PAN ASSM 24W STD S626	14"-18" Seat Depth
2B,3	688269	SEAT PAN ASSM 14W LONG S626	19"-21" Seat Depth
2A,3	688270	SEAT PAN ASSM 15W LONG S626	19"-21" Seat Depth
2B,3	688271	SEAT PAN ASSM 16W LONG S626	19"-21" Seat Depth
2B,3	688272	SEAT PAN ASSM 17W LONG S626	19"-21" Seat Depth
2B,3	688273	SEAT PAN ASSM 18W LONG S626	19"-21" Seat Depth
2B,3	688274	SEAT PAN ASSM 19W LONG S626	19"-21" Seat Depth
2B,3	688275	SEAT PAN ASSM 20W LONG S626	19"-21" Seat Depth
2B,3	688276	SEAT PAN ASSM 22W LONG S626	19"-21" Seat Depth
2B,3	688277	SEAT PAN ASSM 24W LONG S626	19"-21" Seat Depth



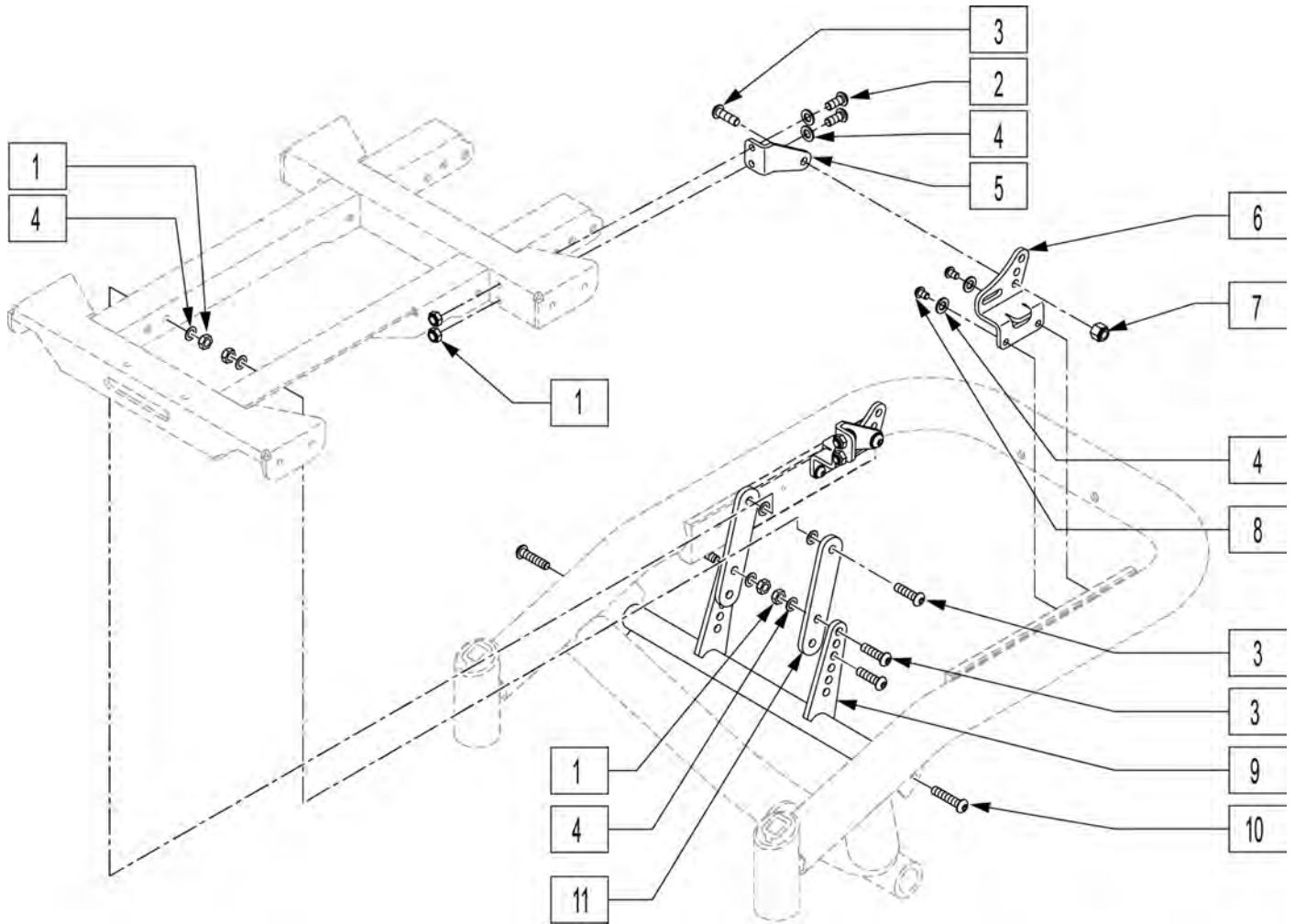
Pos.	Item Number	Description	Remarks
1	660180S	FLRD SEAT RAIL ASSM STD L S626	14-18" Seat Depth
1	660181S	FLRD SEAT RAIL ASSM STD R S626	14-18" Seat Depth
1	660182S	FLRD SEAT RAIL ASSM LNG L S626	19-20" Seat Depth
1	660183S	FLRD SEAT RAIL ASSM LNG R S626	19-20" Seat Depth
1	660184S	STRGHT SEAT RAIL ASSM STD S626	14-18" Seat Depth
1	660185S	STRGHT SEAT RAIL ASSM LNG S626	19-20" Seat Depth
3	202117	5/16-18 NYLOCK NUT THICK BLK	

Pos.	Item Number	Description	Remarks
4	263100	5/16 AN WASHER FLAT	
5	542024	FRONT SEAT ATTACH BRACKET S626	
6	349039	5/16 x 2.7 QUICK RELEASE PIN	
7	106947	WASHER FLAT THIN AN 5/16 ROHS	
8	226218	5/16-18 x 1 3/4 BH C/S BLK	
9	542066	SEAT SUPPORT WELDMNT S626	
10	561018	1" TUBE END BUSHING THICK	
11	202117	5/16-18 NYLOCK NUT THICK BLK	
12	263100	5/16 AN WASHER FLAT	
13	202116	5/16-18 NYLOCK NUT THIN BLK	
14	106947	WASHER FLAT THIN AN 5/16 ROHS	
15	561006	1" SADDLE 5/16" HOLE	
16	526065	SEAT SUPPORT FEMALE S626	
17	561002	1" INSERT PLUG .083	
18	226217	5/16-18 X 2" BH C/S BLK	
19	481417	1/4-28 CHANNEL NUT 1/2" SP	
20	481419	1/4-28 CHANNEL NUT 1.75" SP	
21	106943	WASHER FLAT AN 1/4 ROHS	
22	221012	1/4-28 x .44 SHCS BLK W/PL	
23	542013	CROSS SUPRT WLDMNT 14W 16 FRM	
23	542014	CROSS SUPRT WLDMNT 15W 16 FRM	
23	542015	CROSS SUPRT WLDMNT 16W 16 FRM	
23	542016	CROSS SUPRT WLDMNT 17W 16 FRM	
23	542017	CROSS SUPRT WLDMNT 18W 16 FRM	
23	542018	CROSS SUPRT WLDMNT 19W 16 FRM	
23	542019	CROSS SUPRT WLDMNT 20W 16 FRM	
23	542021	CROSS SUPRT WLDMNT 22W 18 FRM	
23	542025	CROSS SUPRT WLDMNT 24W 18 FRM	
24	550605	DOVE TAIL RAIL STRIP PLUG	
25	505500	BACK BRACKET L S626	
25	505501	BACK BRACKET R S626	
26	106943	WASHER FLAT AN 1/4 ROHS	
27	221012	1/4-28 x .44 SHCS BLK W/PL	
28	226218	5/16-18 x 1 3/4" BH C/S BLK	
29	263100	5/16 AN WASHER FLAT	
30	542030	RR SEAT MNT WELDMNT L S626	
30	542031	RR SEAT MNT WELDMNT R S626	
31	220127	5/16-18 x 1 HHCS BLK W/PL	
32	561059	3/4 OD x .318 ID WASHER	
33	202117	5/16-18 NYLOCK NUT THICK BLK	
34	226218	5/16-18 x 1 3/4" BH C/S BLK	
35	222104	5/16-18 x 1" SOC C/S BLK ZN	
36	540212	REAR SEAT MNT BRCKT WLDMNT RT	
36	540213	REAR SEAT MNT BRCKT WLDMNT LFT	
37	106943	WASHER FLAT AN 1/4 ROHS	
38	220125	1/4-20 x .75 HHCS BLK W/PL	
39	505532	REAR SEAT MOUNT LINK S626	
40	202117	5/16-18 NYLOCK NUT THICK BLK	
41	226176	5/16-18 x 1 1/2 BH C/S BLK	
42	221016	1/4-28 x .63 SHCS BLK W/PL	
2,34	107491	LATCH STUD KIT	
9-18	887720	FRNT VERT SEAT SPRT ASSM 14"-20"	
20-23,42	882290	CROSS SUPPORT FRNT 14W W/HDWR	
20-23,42	882291	CROSS SUPPORT FRNT 15W W/HDWR	
20-23,42	882292	CROSS SUPPORT FRNT 16W W/HDWR	
20-23,42	882293	CROSS SUPPORT FRNT 17W W/HDWR	

Pos.	Item Number	Description	Remarks
20-23,42	882294	CROSS SUPPORT FRNT 18W W/HDWR	
20-23,42	882295	CROSS SUPPORT FRNT 19W W/HDWR	
20-23,42	882296	CROSS SUPPORT FRNT 20W W/HDWR	
20-23,42	882297	CROSS SUPPORT FRNT 22W W/HDWR	
20-23,42	882298	CROSS SUPPORT FRNT 24W W/HDWR	
3-8,28-33,35,40	888880	FIXED SEAT FRAME HDWR 14-20 S626	

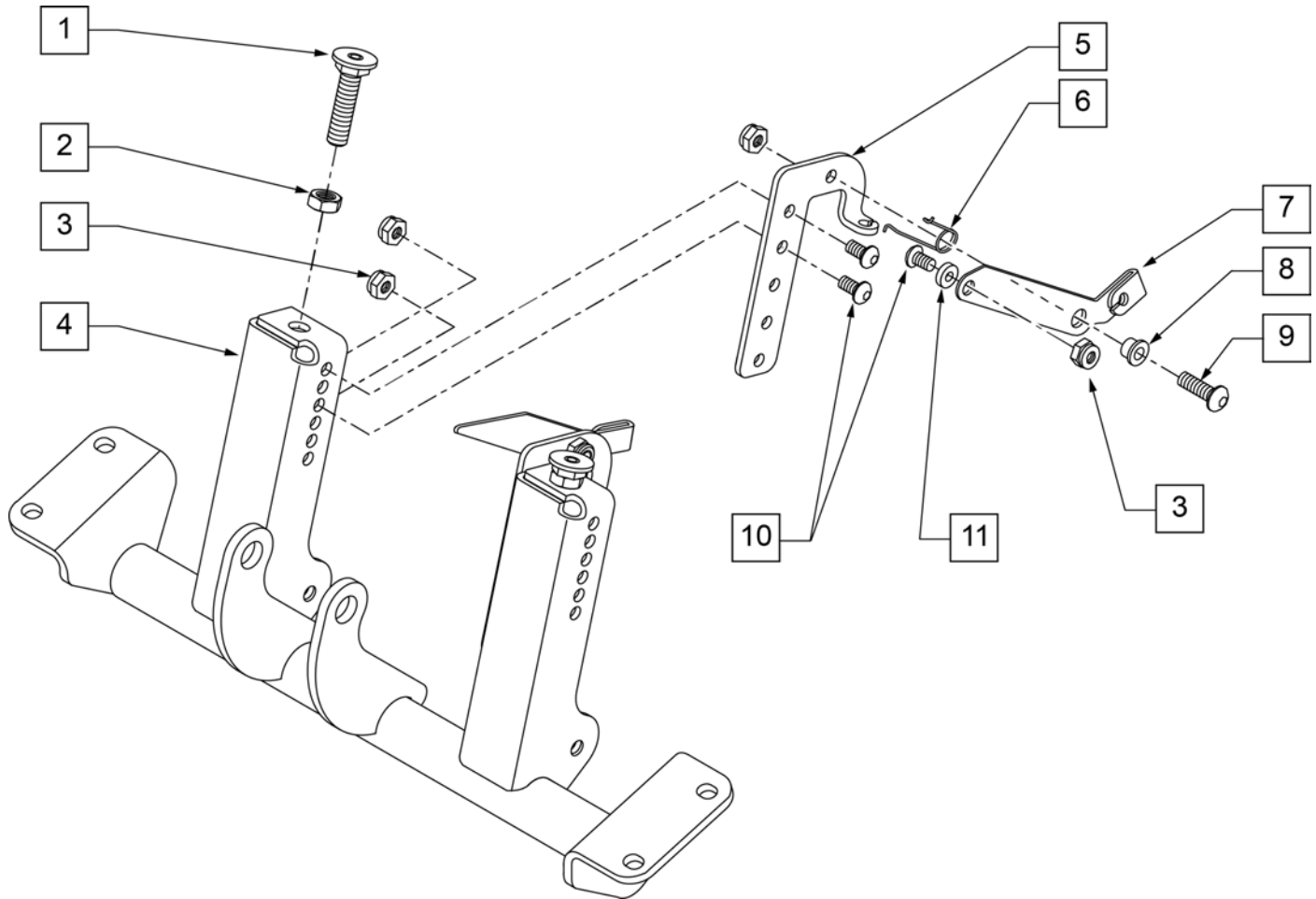


Pos.	Item Number	Description
1	542031	RR SEAT MNT WELDMENT R S626
2	527451	VERT SUPPORT SEAT TUBE 22"-24" OPT
3	226218	5/16-18 x 1 3/4" BH C/S BLK
4	542030	RR SEAT MNT WELDMENT L S626
5	263100	5/16 AN WASHER FLAT
6	202117	5/16-18 NYLOCK NUT THICK BLK
7	505397	CROSS SUPPORT TUBE 22"-24"W OPT
8	561006	1" SADDLE 5/16" HOLE
9	226217	5/16-18 X 2" BH C/S BLK
1-9	887721	FRONT VERT SEAT SUPPORT ASSM 22"-24"



Pos.	Item Number	Description
1	202300	5/16-18 NYLOCK NUT THIN BLK
2	226247	5/16-18 x 1 BH C/S BLK
3	222104	5/16-18 x 3/4" BH C/S BLK ZN
4	106943	WASHER FLAT AN 1/4 ROHS
5	502267	SEAT MOUNT BRKT REAR R
5	502268	SEAT MOUNT BRKT REAR L
6	540212	REAR SEAT MNT BRCKT WLDMNT RT
6	540213	REAR SEAT MNT BRCKT WLDMNT LFT
7	202117	5/16-18 NYLOCK NUT THICK BLK
8	220125	1/4-20 x 3/4 BH C/S W/PATCH BLK
9	542395	14-20W CRSS SPPRT ST 626 RCLN
9	542396	22-24W CRSS SPPRT ST 626 RCLN
10	226217	5/16-18 x 2 BH C/S BLK ZN
11	505975	FRNT SPPRT SEAT MNT 626 RCLN

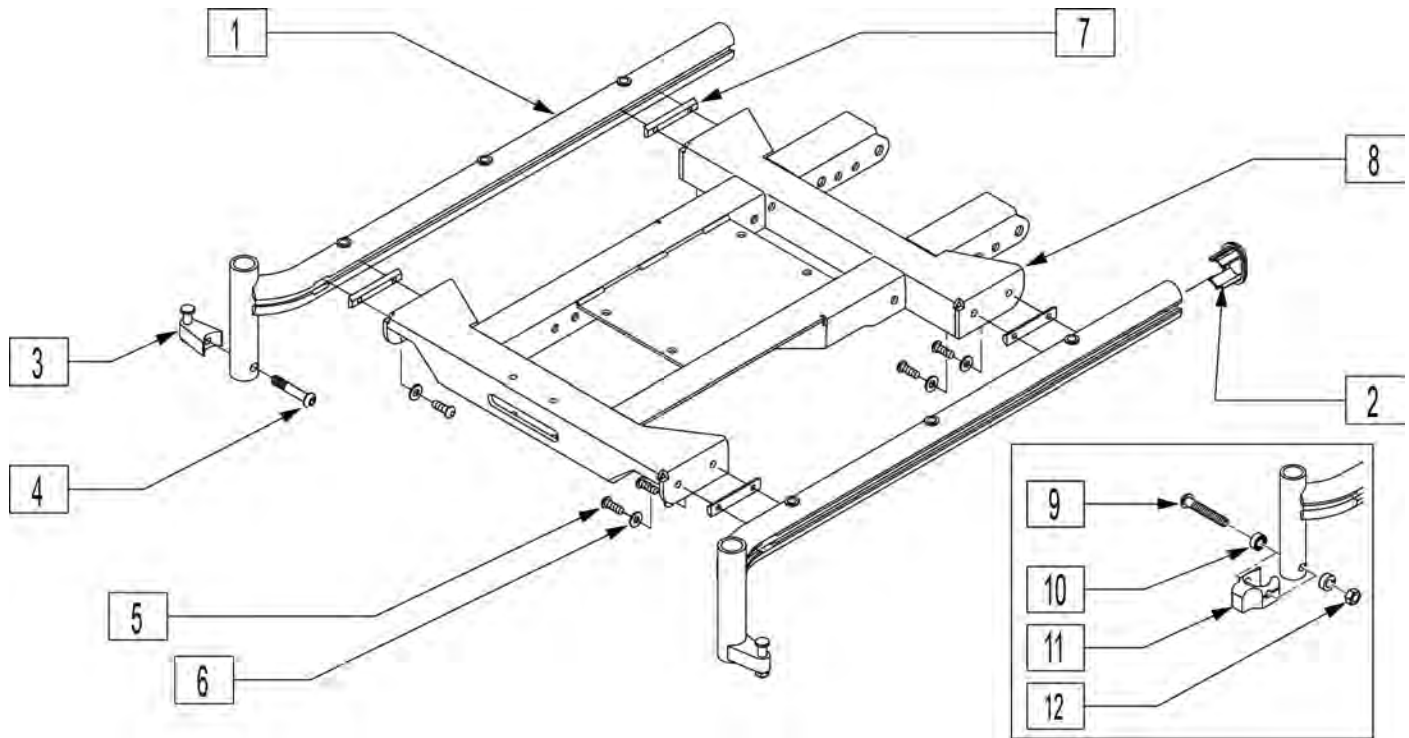
NOTE: EFFECTIVE 11/13/01; QUICKIE S626 TRANSITIONED TO QUICKIE S646 7/26/02.



Pos.	Item Number	Description	Remarks
1	330006	M12 x 1.75 FRNT SPPRT SEAT SCREW	
2	210075	M12 x 1.75 HEX JAM NUT	
3	202300	1/4-28 NYLOCK NUT THIN BLK ZN	
4	542098	LOWER ACT MOUNT ASSM 16 T & R	(14"-20" WIDE, 18 1/2" SEAT HEIGHT)
4	542099	LOWER ACT MOUNT ASSM 18 T & R	(22"-24" WIDE, 18 1/2" SEAT HEIGHT)
4	547101	LOWER ACT MOUNT ASSM 16 T & R 2"	(14"-20" WIDE, 20" SEAT HEIGHT)
4	547102	LOWER ACT MOUNT ASSM 18 T & R 2"	(22"-24" WIDE, 20" SEAT HEIGHT)
5	505567	ANTI TIP ACTUATION BRACKET L	
5	505568	ANTI TIP ACTUATION BRACKET R	
6	321727	ANTI TIP ACTUATION SPRING L	
6	321728	ANTI TIP ACTUATION SPRING R	
7	541049	ANTI TIP ACTUATOR LEVER R	
7	541050	ANTI TIP ACTUATOR LEVER L	
8	481039	BACK REL BUSHING RIGID	
9	106959	1/4-28 x 5/8 BH C/S	
10	226071	1/4-28 x 1/2 BH C/S BLK	
11	2743	.750 x .265 x .250 SPACER	
1-11	884190	TILT LWR MNT SUB ASSM 16 STD (STD)	(14"-20" WIDE, 18 1/2" SEAT HEIGHT)

Pos.	Item Number	Description	Remarks
1-11	884191	TILT LWR MNT SUB ASSM 18 STD (WIDE)	(22"-24" WIDE, 18 1/2" SEAT HEIGHT)
1-11	884192	TILT LOWER MNT SUB ASSM 16 2" (STD)	(14"-20" WIDE, 20" SEAT HEIGHT)
1-11	884193	TILT LOWER MNT SUB ASSM 18 2" (WIDE)	(22"-24" WIDE, 20" SEAT HEIGHT)

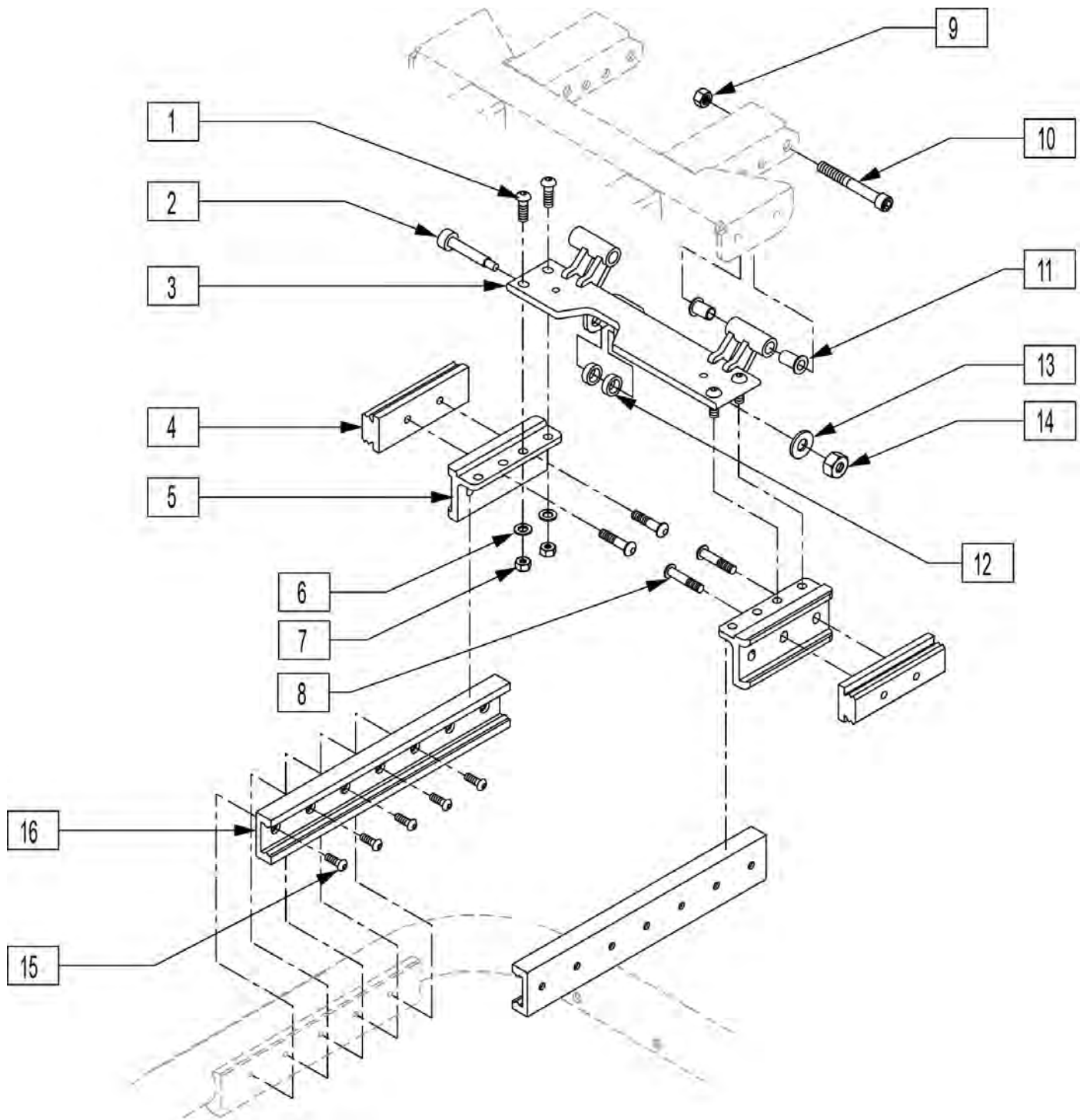
NOTE: EFFECTIVE 11/13/01 QUICKIE S626 TRANSITIONED TO QUICKIE S646 7/26/02



Pos.	Item Number	Description	Remarks
2	567003	END PLUG OVAL	
4	226218	5/16-18 x 1 3/4" BH C/S BLK	
5	221016	1/4-28 x .44 SHCS BLK W/PL	
6	106943	WASHER FLAT AN 1/4 ROHS	
7	481419	1/4-28 CHANNEL NUT 1.75" SP	
8	542500	14W TILT CHNNL WLDMT (.5) TUBE	14"-18" Seat Depth
8	542501	15W TILT CHNNL WLDMT (.5) TUBE	14"-18" Seat Depth
8	542502	16W TILT CHNNL WLDMT (.5) TUBE	14"-18" Seat Depth
8	542503	17W TILT CHNNL WLDMT (.5) TUBE	14"-18" Seat Depth
8	542504	18W TILT CHNNL WLDMT (.5) TUBE	14"-18" Seat Depth
8	542505	19W TILT CHNNL WLDMT (.5) TUBE	14"-18" Seat Depth
8	542506	20W TILT CHNNL WLDMT (.5) TUBE	14"-18" Seat Depth
8	542507	22W TILT CHNNL WLDMT (.5) TUBE	14"-18" Seat Depth
8	542508	24W TILT CHNNL WLDMT (.5) TUBE	14"-18" Seat Depth
8	542530	TILT CHANNEL WLDMNT 14W LONG	19"-21" Seat Depth
8	542531	TILT CHANNEL WLDMNT 15W LONG	19"-21" Seat Depth
8	542532	TILT CHANNEL WLDMNT 16W LONG	19"-21" Seat Depth
8	542533	TILT CHANNEL WLDMNT 17W LONG	19"-21" Seat Depth
8	542534	TILT CHANNEL WLDMNT 18W LONG	19"-21" Seat Depth
8	542535	TILT CHANNEL WLDMNT 19W LONG	19"-21" Seat Depth
8	542536	TILT CHANNEL WLDMNT 20W LONG	19"-21" Seat Depth
8	542537	TILT CHANNEL WLDMNT 22W LONG	19"-21" Seat Depth
8	542538	TILT CHANNEL WLDMNT 24W LONG	19"-21" Seat Depth
9	226217	5/16-18 X 2" BH C/S BLK	
10	505831	SPACER CAM	

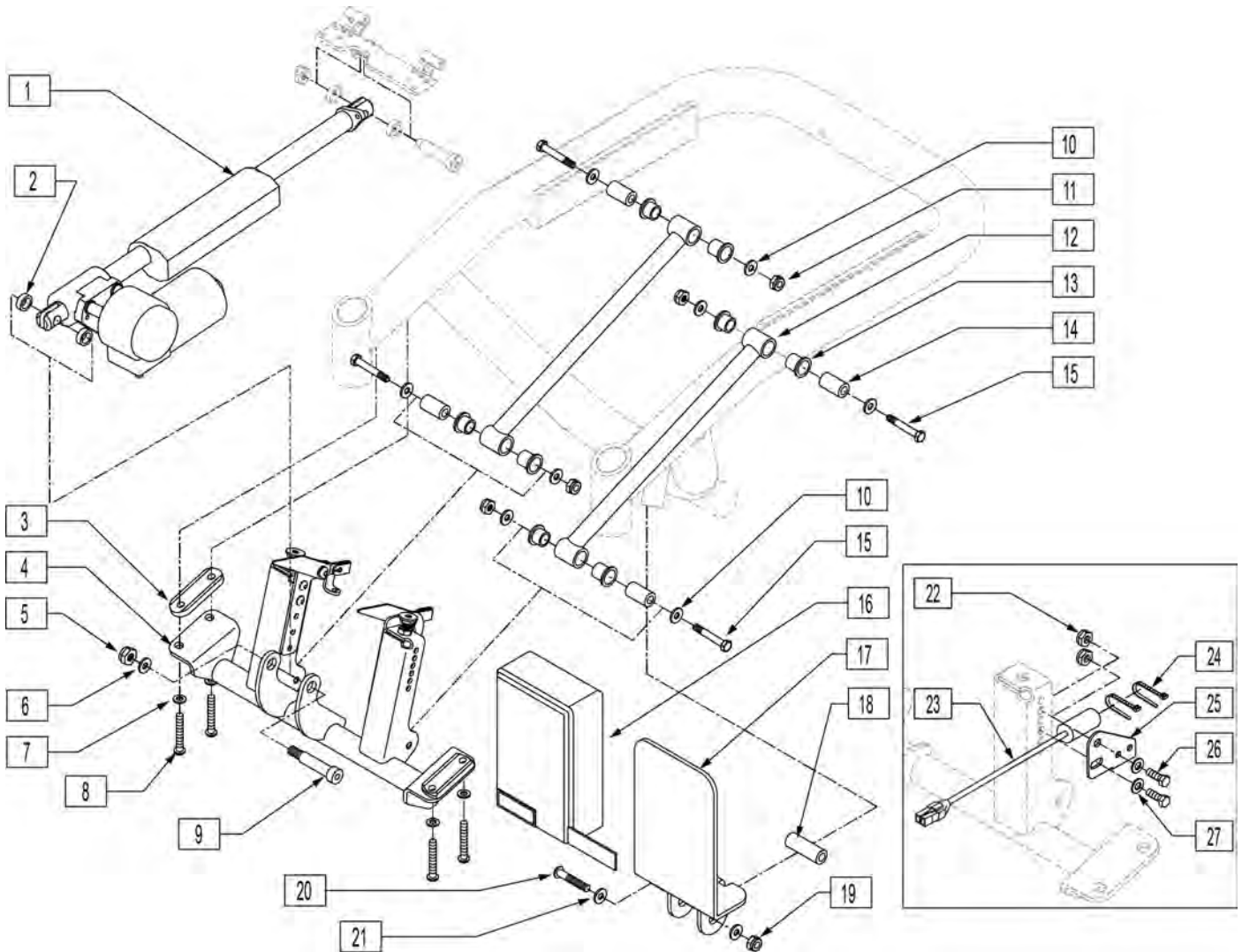
Pos.	Item Number	Description	Remarks
11	500526	BLOCK LOCATOR HNGER PWR	
12	202116	5/16-18 NYLOCK NUT THIN BLK	
1,2	660180S	FLRD SEAT RAIL ASSM STD L S626	(14"-18" DEPTHS)
1,2	660181S	FLRD SEAT RAIL ASSM STD R S626	(14"-18" DEPTHS)
1,2	660182S	FLRD SEAT RAIL ASSM LNG L S626	(19"-24" DEPTHS)
1,2	660183S	FLRD SEAT RAIL ASSM LNG R S626	(19"-24" DEPTHS)
1,2	660184S	STRGHT SEAT RAIL ASSM STD S626	(14"-18" DEPTHS)
1,2	660185S	STRGHT SEAT RAIL ASSM LNG S626	(19"-24" DEPTHS)
3,4	107491	LATCH STUD KIT	
9-12	920053	HANGER LOCATOR ASSM W/HDWR	for Power Activated ELR & ALR Legrests ONLY

NOTE: EFFECTIVE 11/13/01 QUICKIE S626 TRANSITIONED TO QUICKIE S646 7/26/02



Pos.	Item Number	Description	Remarks
1	222104	5/16-18 x 1 BH C/S BLK	
2	226329	1/2 x 1-3/4 SOC C/S SHOULD BLK	

Pos.	Item Number	Description	Remarks
3	540870	REAR PLATE WLDMT 16" 626 T/R	(14"-20" WIDE, 18 1/2" SEAT HEIGHT)
3	540871	REAR PLATE WLDMT 18" 626 T/R	(22"-24" WIDE, 18 1/2" SEAT HEIGHT)
3	541029	HEIGHT PLATE WLDMT 16" REAR	(14"-20" WIDE, 20" SEAT HEIGHT)
3	541030	HEIGHT PLATE WLDMT 18" REAR	(22"-24" WIDE, 20" SEAT HEIGHT)
5	483248	GLIDE BLOCK METRIC S626	
6	106947	WASHER FLAT THIN AN 5/16 ROHS	
7	202117	5/16-18 NYLOCK NUT THICK BLK	
8	235007	M8 x 1.25 x 16 BH C/S	
15	226078	1/4-20 x 3/4 BH C/S W/PATCH BLK	
9	201263	3/8-16 NYLOCK NUT BLK ZINC	
10	226331	3/8-16 x 2-1/4 SOC HD C/S BLK	
11	349595	BEARING IGUS 3/8 x 15/32 x 1/2	
12	261531	ACTUATOR THRUST WASHER	
13	263140	3/8 WASHER FLAT	
14	201263	3/8-16 NYLOCK NUT BLK ZINC	
4,16	883155	TILT GUIDE RAIL ASSM 250 LB	
4,16	883156	TILT GUIDE RAIL ASSM 400 LB	
1-3,5-14	883060	TILT SEAT SLIDE PLT ASSM 16" (STD)	(14"-20" WIDE, 18 1/2" SEAT HEIGHT)
1-3,5-14	883061	TILT SEAT SLIDE PLT ASSM 18" (WIDE)	(22"-24" WIDE, 18 1/2" SEAT HEIGHT)
1-3,5-14	883062	TILT SEAT SLIDE PLT ASSM 16 2" (STD)	(14"-20" WIDE, 20" SEAT HEIGHT)
1-3,5-14	883063	TILT SEAT SLIDE PLT ASSM 18 2" (WIDE)	(22"-24" WIDE, 20" SEAT HEIGHT)



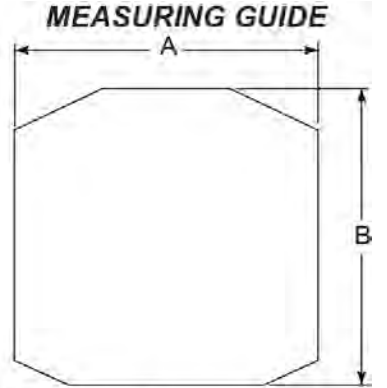
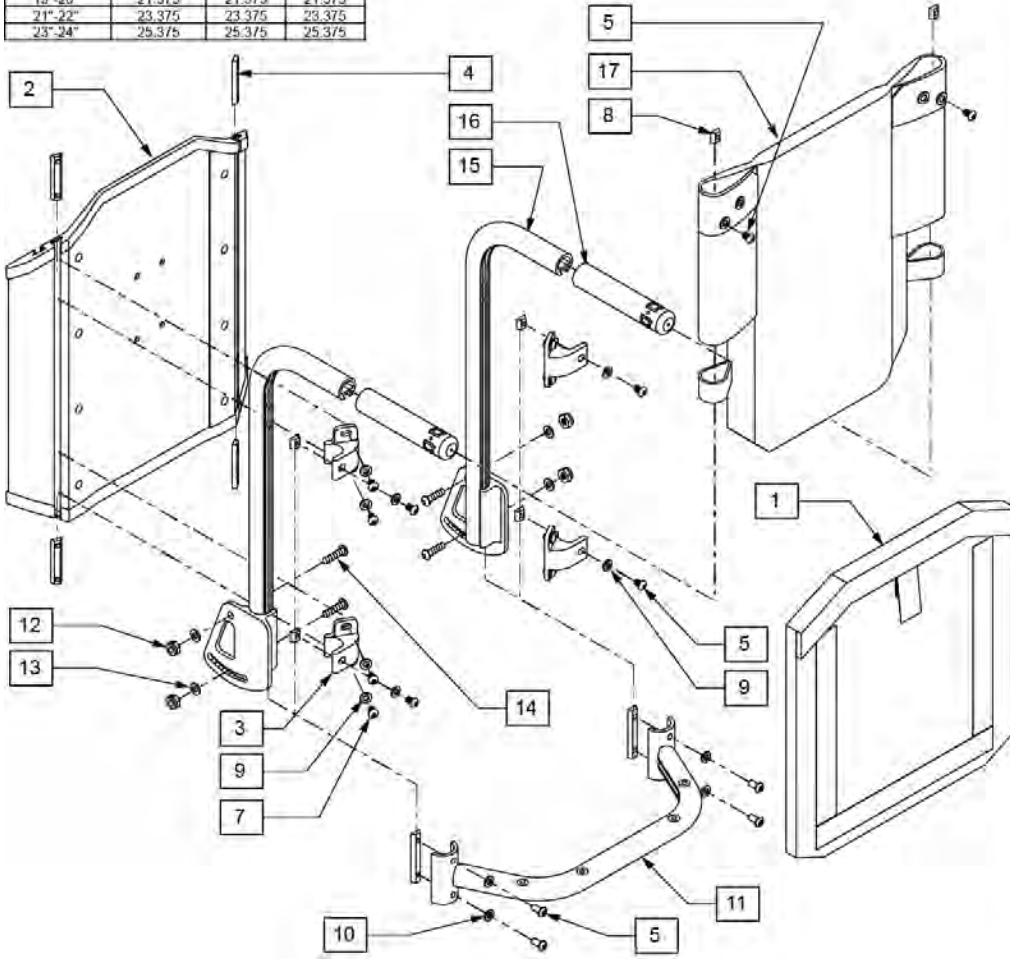
Pos.	Item Number	Description	Remarks
1	125798	ACTUATOR ASSM 250 S626 TILT	Used w/SN prefix S63B, S64B or Later
1	125800	ACT ASSM 400LB S626 HD TILT	Used w/SN prefix S63B, S64B or Later
1	881037	ACTUATOR ASSM 400LB S626	Used w/SN prefix S63A & S64A
1	880967	ACTUATOR ASSM 250 S626	Used w/SN prefix S63A & S64A
2	261531	ACTUATOR THRUST WASHER	
3	483209	ACTUATOR MOUNT SADDLE S626	
4	884190	TILT LOWER MNT SUB ASSM 16 STD	(14"-20" WIDE, 18 1/2" SEAT HEIGHT)
4	884191	TILT LOWER MNT SUB ASSM 18 STD	(22"-24" WIDE, 18 1/2" SEAT HEIGHT)
4	884192	TILT LOWER MNT SUB ASSM 16 2"	(14"-20" WIDE, 20" SEAT HEIGHT)
4	884193	TILT LOWER MNT SUB ASSM 18 2"	(22"-24" WIDE, 20" SEAT HEIGHT)
5	201263	3/8-16 NYLOCK NUT BLK ZINC	
6	263140	3/8 WASHER FLAT	
7	263100	5/16 AN WASHER FLAT	
8	221018	5/16-18 x 1.5 SHCS BLK W/PL	
9	226329	1/2 x 1-3/4 SOC C/S SHOULD BLK	
10	263100	5/16 AN WASHER FLAT	
11	202111	5/16-24 NYLOCK NUT THICK BLK	
12	542032	TILT SEATING FIXED LINKAGE	

Pos.	Item Number	Description	Remarks
12	542041	TLT SEATING FXED LNKGE 2" LIFT	
13	560401	NYLINER BUSHING (10L7-F)	
14	481321	UPPER SOLID LINKAGE PIVOT	
15	222103	5/16 AN5-20A HEX C/S	
16	750155	WATER PROOF COVER ALM	
17	505648	ALM TM40 MOUNT	
18	505569	ALM MOUNT SPACER	
19	204110	1/4-28 NYLOCK NUT BLK ZN	
20	221015	1/4-28 x 2.5 SHCS BLK W/PL	
21	106943	WASHER FLAT AN 1/4 ROHS	
16-21	880753	ALM TM40 MOUNT ASSM	
2-15	884170	TILT LOWER MNT ASSM 16 STD 626 (STD)	(14"-20" WIDE, 18 1/2" SEAT HEIGHT)
2-15	884171	TILT LWR MNT ASSM 18 STD 626 (WIDE)	(22"-24" WIDE, 18 1/2" SEAT HEIGHT)
2-15	884172	TILT LOWER MNT ASSM 16 2" S626 (STD)	(14"-20" WIDE, 20" SEAT HEIGHT)
2-15	884173	TILT LWR MNT ASSM 18 2" S626 (WIDE)	(22"-24" WIDE, 20" SEAT HEIGHT)
22	106935	NUT NYLOCK THIN 1/4-28 ROHS	
23	121900	HARN LEVEL SWITCH TO PGD	
24	560410	ZIP TIE BLACK	
25	505951	MERCURY SWITCH BRACKET	
26	221093	1/4-28 X 1/2 HEX C/S	
27	106943	WASHER FLAT AN 1/4 ROHS	

ADJUSTABLE BACKREST

[04/16/2019]

Order Form Back Height	Height (in inches) (top of seat pan to bottom of push handle)		
	Upholstered Back	Jay Solid Backrest	Omit Back Uphostery
15"-16"	17.375	17.375	17.375
17"-18"	19.375	19.375	19.375
19"-20"	21.375	21.375	21.375
21"-22"	23.375	23.375	23.375
23"-24"	25.375	25.375	25.375



PART#	DESCRIPTION	DIM "A"	DIM "B"
681850	BACK CUSHION 14X16 SOLID BK	14.3/4	14
681851	BACK CUSHION 14X18 SOLID BK	14.3/4	16
681852	BACK CUSHION 14X20 SOLID BK	14.3/4	18
681853	BACK CUSHION 14X22 SOLID BK	14.3/4	20
681854	BACK CUSHION 14X24 SOLID BK	14.3/4	22
681855	BACK CUSHION 15X16 SOLID BK	15.3/4	14
681856	BACK CUSHION 15X18 SOLID BK	15.3/4	16
681857	BACK CUSHION 15X20 SOLID BK	15.3/4	18
681858	BACK CUSHION 15X22 SOLID BK	15.3/4	20
681859	BACK CUSHION 15X24 SOLID BK	15.3/4	22
681860	BACK CUSHION 16X16 SOLID BK	16.3/4	14
681861	BACK CUSHION 16X18 SOLID BK	16.3/4	16
681862	BACK CUSHION 16X20 SOLID BK	16.3/4	18
681863	BACK CUSHION 16X22 SOLID BK	16.3/4	20
681864	BACK CUSHION 16X24 SOLID BK	16.3/4	22
681865	BACK CUSHION 17X16 SOLID BK	17.3/4	14
681866	BACK CUSHION 17X18 SOLID BK	17.3/4	16
681867	BACK CUSHION 17X20 SOLID BK	17.3/4	18
681868	BACK CUSHION 17X22 SOLID BK	17.3/4	20
681869	BACK CUSHION 17X24 SOLID BK	17.3/4	22
681870	BACK CUSHION 18X16 SOLID BK	18.3/4	14
681871	BACK CUSHION 18X18 SOLID BK	18.3/4	16
681872	BACK CUSHION 18X20 SOLID BK	18.3/4	18
681873	BACK CUSHION 18X22 SOLID BK	18.3/4	20
681874	BACK CUSHION 18X24 SOLID BK	18.3/4	22
681875	BACK CUSHION 19X16 SOLID BK	19.3/4	14
681876	BACK CUSHION 19X18 SOLID BK	19.3/4	16
681877	BACK CUSHION 19X20 SOLID BK	19.3/4	18
681878	BACK CUSHION 19X22 SOLID BK	19.3/4	20
681879	BACK CUSHION 19X24 SOLID BK	19.3/4	22
681880	BACK CUSHION 20X16 SOLID BK	20.3/4	14
681881	BACK CUSHION 20X18 SOLID BK	20.3/4	16
681882	BACK CUSHION 20X20 SOLID BK	20.3/4	18
681883	BACK CUSHION 20X22 SOLID BK	20.3/4	20
681884	BACK CUSHION 20X24 SOLID BK	20.3/4	22
681885	BACK CUSHION 22X16 SOLID BK	22.3/4	14
681886	BACK CUSHION 22X18 SOLID BK	22.3/4	16
681887	BACK CUSHION 22X20 SOLID BK	22.3/4	18
681888	BACK CUSHION 22X22 SOLID BK	22.3/4	20
681889	BACK CUSHION 22X24 SOLID BK	22.3/4	22
681890	BACK CUSHION 24X16 SOLID BK	24.3/4	14
681891	BACK CUSHION 24X18 SOLID BK	24.3/4	16
681892	BACK CUSHION 24X20 SOLID BK	24.3/4	18
681893	BACK CUSHION 24X22 SOLID BK	24.3/4	20
681894	BACK CUSHION 24X24 SOLID BK	24.3/4	22

Pos.	Item Number	Description	Remarks
1	681850	BACK CUSHION 14"X16" SOLID BK	used for 15"-16" & 17"-18" Back Hts
1	681851	BACK CUSHION 14"X18" SOLID BK	used for 19"-20" Back Heights
1	681852	BACK CUSHION 14"X20" SOLID BK	used for 21"-22" Back Heights
1	681853	BACK CUSHION 14"X22" SOLID BK	used for 23"-24" Back Heights
1	681855	BACK CUSHION 15"X16" SOLID BK	used for 15"-16" & 17"-18" Back Hts
1	681856	BACK CUSHION 15"X18" SOLID BK	used for 19"-20" Back Heights
1	681857	BACK CUSHION 15"X20" SOLID BK	used for 21"-22" Back Heights
1	681858	BACK CUSHION 15"X22" SOLID BK	used for 23"-24" Back Heights
1	681860	BACK CUSHION 16"X16" SOLID BK	used for 15"-16" & 17"-18" Back Hts
1	681861	BACK CUSHION 16"X18" SOLID BK	used for 19"-20" Back Heights
1	681862	BACK CUSHION 16"X20" SOLID BK	used for 21"-22" Back Heights
1	681863	BACK CUSHION 16"X22" SOLID BK	used for 23"-24" Back Heights
1	681865	BACK CUSHION 17"X16" SOLID BK	used for 15"-16" & 17"-18" Back Hts
1	681866	BACK CUSHION 17"X18" SOLID BK	used for 19"-20" Back Heights
1	681867	BACK CUSHION 17"X20" SOLID BK	used for 21"-22" Back Heights
1	681868	BACK CUSHION 17"X22" SOLID BK	used for 23"-24" Back Heights
1	681870	BACK CUSHION 18"X16" SOLID BK	used for 15"-16" & 17"-18" Back Hts
1	681871	BACK CUSHION 18"X18" SOLID BK	used for 19"-20" Back Heights

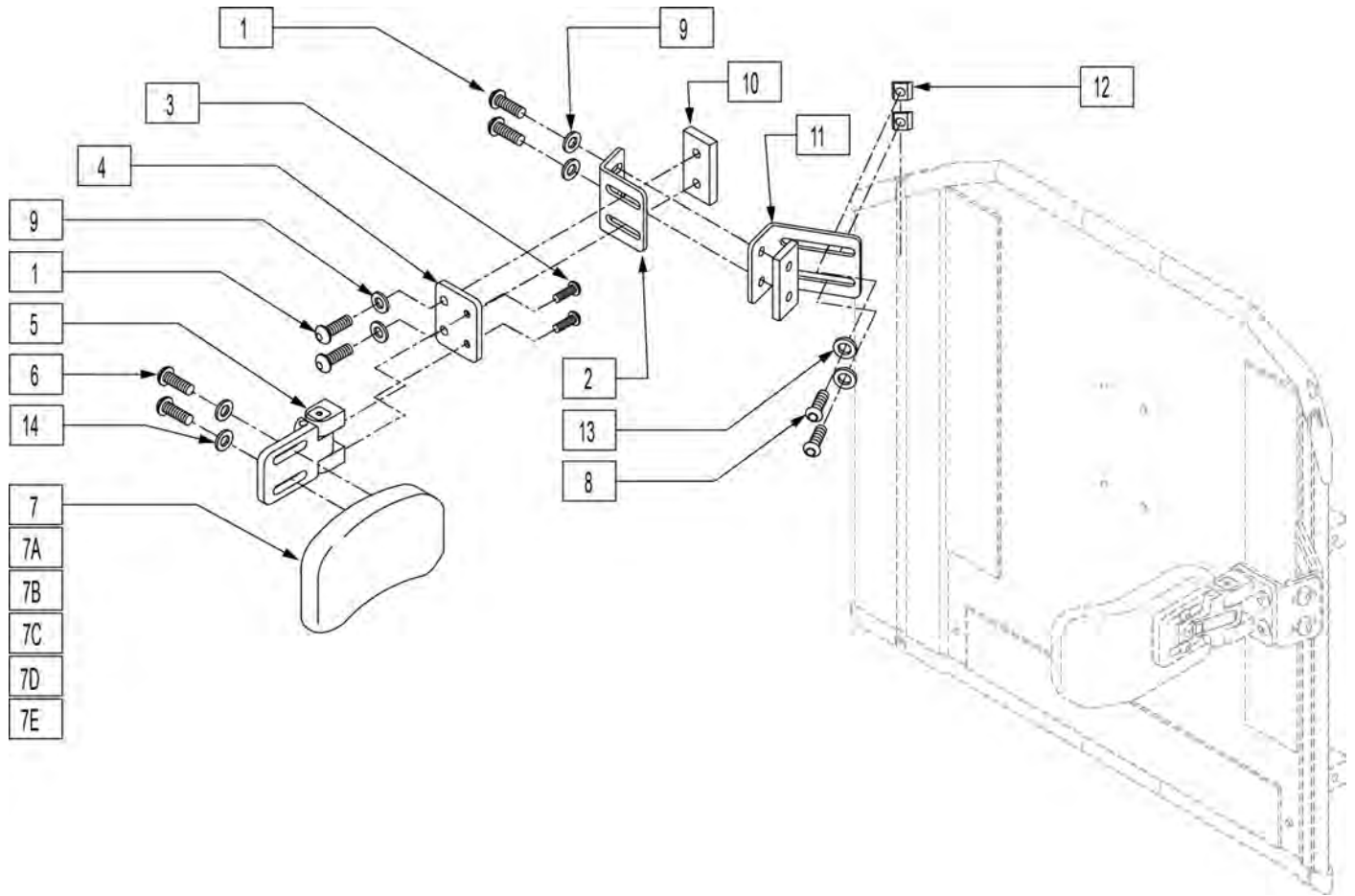
Pos.	Item Number	Description	Remarks
1	681872	BACK CUSHION 18"X20" SOLID BK	used for 21"-22" Back Heights
1	681873	BACK CUSHION 18"X22" SOLID BK	used for 23"-24" Back Heights
1	681875	BACK CUSHION 19"X16" SOLID BK	used for 15"-16" & 17"-18" Back Hts
1	681876	BACK CUSHION 19"X18" SOLID BK	used for 19"-20" Back Heights
1	681877	BACK CUSHION 19"X20" SOLID BK	used for 21"-22" Back Heights
1	681878	BACK CUSHION 19"X22" SOLID BK	used for 23"-24" Back Heights
1	681880	BACK CUSHION 20"X16" SOLID BK	used for 15"-16" & 17"-18" Back Hts
1	681881	BACK CUSHION 20"X18" SOLID BK	used for 19"-20" Back Heights
1	681882	BACK CUSHION 20"X20" SOLID BK	used for 21"-22" Back Heights
1	681883	BACK CUSHION 20"X22" SOLID BK	used for 23"-24" Back Heights
1	681885	BACK CUSHION 22"X16" SOLID BK	used for 15"-16" & 17"-18" Back Hts
1	681886	BACK CUSHION 22"X18" SOLID BK	used for 19"-20" Back Heights
1	681887	BACK CUSHION 22"X20" SOLID BK	used for 21"-22" Back Heights
1	681888	BACK CUSHION 22"X22" SOLID BK	used for 23"-24" Back Heights
1	681890	BACK CUSHION 24"X16" SOLID BK	used for 15"-16" & 17"-18" Back Hts
1	681891	BACK CUSHION 24"X18" SOLID BK	used for 19"-20" Back Heights
1	681892	BACK CUSHION 24"X20" SOLID BK	used for 21"-22" Back Heights
1	681893	BACK CUSHION 24"X22" SOLID BK	used for 23"-24" Back Heights
2	881850	SLD BCKRST SHELL ASSMBLY 14 x 16	used for 15"-16" & 17"-18" Back Hts
2	881851	SLD BCKRST SHELL ASSMBLY 15 x 16	used for 15"-16" & 17"-18" Back Hts
2	881852	SLD BCKRST SHELL ASSMBLY 16 x 16	used for 15"-16" & 17"-18" Back Hts
2	881853	SLD BCKRST SHELL ASSMBLY 17 x 16	used for 15"-16" & 17"-18" Back Hts
2	881854	SLD BCKRST SHELL ASSMBLY 18 x 16	used for 15"-16" & 17"-18" Back Hts
2	881855	SLD BCKRST SHELL ASSMBLY 19 x 16	used for 15"-16" & 17"-18" Back Hts
2	881856	SLD BCKRST SHELL ASSMBLY 20 x 16	used for 15"-16" & 17"-18" Back Hts
2	881885	B/RST SHELL ASSM 22 x 16	used for 15"-16" & 17"-18" Back Hts
2	881890	B/RST SHELL ASSM 24 x 16	used for 15"-16" & 17"-18" Back Hts
2	881857	SLD BCKRST SHELL ASSMBLY 14 x 18	used for 19"-20" Back Heights
2	881858	SLD BCKRST SHELL ASSMBLY 15 x 18	used for 19"-20" Back Heights
2	881859	SLD BCKRST SHELL ASSMBLY 16 x 18	used for 19"-20" Back Heights
2	881860	SLD BCKRST SHELL ASSMBLY 17 x 18	used for 19"-20" Back Heights
2	881861	SLD BCKRST SHELL ASSMBLY 18 x 18	used for 19"-20" Back Heights
2	881862	SLD BCKRST SHELL ASSMBLY 19 x 18	used for 19"-20" Back Heights
2	881863	SLD BCKRST SHELL ASSMBLY 20 x 18	used for 19"-20" Back Heights
2	881886	SLD BCKRST SHELL ASSMBL 22 x 18	used for 19"-20" Back Heights
2	881891	SOLID BCRST SHELL ASSM 24" x 18"	used for 19"-20" Back Heights
2	881864	SLD BCKRST SHELL ASSMBLY 14X20	used for 21"-22" Back Heights
2	881865	SLD BCKRST SHELL ASSMBLY 15X20	used for 21"-22" Back Heights
2	881866	SLD BCKRST SHELL ASSMBLY 16X20	used for 21"-22" Back Heights
2	881867	SLD BCKRST SHELL ASSMBLY 17X20	used for 21"-22" Back Heights
2	881868	SLD BCKRST SHELL ASSMBLY 18X20	used for 21"-22" Back Heights
2	881869	SLD BCKRST SHELL ASSMBLY 19X20	used for 21"-22" Back Heights
2	881870	SLD BCKRST SHELL ASSMBLY 20X20	used for 21"-22" Back Heights
2	881887	SOLID BCRST SHELL ASSM 22"X20"	used for 21"-22" Back Heights
2	881892	SOLID BCRST SHELL ASSM 24" x 20"	used for 21"-22" Back Heights
2	881871	SLD BCKRST SHELL ASSMBLY 14X22	used for 23"-24" Back Heights
2	881872	SLD BCKRST SHELL ASSMBLY 15X22	used for 23"-24" Back Heights
2	881873	SLD BCKRST SHELL ASSMBLY 16X22	used for 23"-24" Back Heights
2	881874	SLD BCKRST SHELL ASSMBLY 17X22	used for 23"-24" Back Heights
2	881875	SLD BCKRST SHELL ASSMBLY 18X22	used for 23"-24" Back Heights
2	881876	SLD BCKRST SHELL ASSMBLY 19X22	used for 23"-24" Back Heights
2	881877	SLD BCKRST SHELL ASSMBLY 20X22	used for 23"-24" Back Heights
2	881888	SOLID BCRST SHELL ASSM 22"X22"	used for 23"-24" Back Heights
2	881893	SOLID BCRST SHELL ASSM 24" x 22"	used for 23"-24" Back Heights
1,2	687400	SOLID BACKREST ASSY 14"X16/17"	used for 15"-16" & 17"-18" Back Hts
1,2	687401	SOLID BACKREST ASSY 14"X18/19"	used for 19"-20" Back Heights

Pos.	Item Number	Description	Remarks
1,2	687402	SOLID BACKREST ASSY 14"X20/21"	used for 21"-22" Back Heights
1,2	687403	SOLID BACKREST ASSY 14"X22/23"	used for 23"-24" Back Heights
1,2	687405	SOLID BACKREST ASSY 15"X16/17"	used for 15"-16" & 17"-18" Back Hts
1,2	687406	SOLID BACKREST ASSY 15"X18/19"	used for 19"-20" Back Heights
1,2	687407	SOLID BACKREST ASSY 15"X20/21"	used for 21"-22" Back Heights
1,2	687408	SOLID BACKREST ASSY 15"X22/23"	used for 23"-24" Back Heights
1,2	687410	SOLID BACKREST ASSY 16"X16/17"	used for 15"-16" & 17"-18" Back Hts
1,2	687411	SOLID BACKREST ASSY 16"X18/19"	used for 19"-20" Back Heights
1,2	687412	SOLID BACKREST ASSY 16"X20/21"	used for 21"-22" Back Heights
1,2	687413	SOLID BACKREST ASSY 16"X22/23"	used for 23"-24" Back Heights
1,2	687415	SOLID BACKREST ASSY 17"X16/17"	used for 15"-16" & 17"-18" Back Hts
1,2	687416	SOLID BACKREST ASSY 17"X18/19"	used for 19"-20" Back Heights
1,2	687417	SOLID BACKREST ASSY 17"X20/21"	used for 21"-22" Back Heights
1,2	687418	SOLID BACKREST ASSY 17"X22/23"	used for 23"-24" Back Heights
1,2	687420	SOLID BACKREST ASSY 18"X16/17"	used for 15"-16" & 17"-18" Back Hts
1,2	687421	SOLID BACKREST ASSY 18"X18/19"	used for 19"-20" Back Heights
1,2	687422	SOLID BACKREST ASSY 18"X20/21"	used for 21"-22" Back Heights
1,2	687423	SOLID BACKREST ASSY 18"X22/23"	used for 23"-24" Back Heights
1,2	687425	SOLID BACKREST ASSY 19"X16/17"	used for 15"-16" & 17"-18" Back Hts
1,2	687426	SOLID BACKREST ASSY 19"X18/19"	used for 19"-20" Back Heights
1,2	687427	SOLID BACKREST ASSY 19"X20/21"	used for 21"-22" Back Heights
1,2	687428	SOLID BACKREST ASSY 19"X22/23"	used for 23"-24" Back Heights
1,2	687430	SOLID BACKREST ASSY 20"X16/17"	used for 15"-16" & 17"-18" Back Hts
1,2	687431	SOLID BACKREST ASSY 20"X18/19"	used for 19"-20" Back Heights
1,2	687432	SOLID BACKREST ASSY 20"X20/21"	used for 21"-22" Back Heights
1,2	687433	SOLID BACKREST ASSY 20"X22/23"	used for 23"-24" Back Heights
1,2	687435	SOLID BACKREST ASSY 22"X16/17"	used for 15"-16" & 17"-18" Back Hts
1,2	687436	SOLID BACKREST ASSY 22"X18/19"	used for 19"-20" Back Heights
1,2	687437	SOLID BACKREST ASSY 22"X20/21"	used for 21"-22" Back Heights
1,2	687438	SOLID BACKREST ASSY 22"X22/23"	used for 23"-24" Back Heights
1,2	687440	SOLID BACKREST ASSY 24"X16/17"	used for 15"-16" & 17"-18" Back Hts
1,2	687441	SOLID BACKREST ASSY 24"X18/19"	used for 19"-20" Back Heights
1,2	687442	SOLID BACKREST ASSY 24"X20/21"	used for 21"-22" Back Heights
1,2	687443	SOLID BACKREST ASSY 24"X22/23"	used for 23"-24" Back Heights
3	505553	CURVED BACK BRACKET S626	
4	481419	1/4-28 CHANNEL NUT 1.75" SP	
5	221013	1/4-28 x .50 SHCS BLK W/PL	
7	221012	1/4-28 x .44 SHCS BLK W/PL	
8	481106-QU	1/4-28 CHANNEL NUT	
10	106943	WASHER FLAT AN 1/4 ROHS	
11	888270	ADJ SPRDR BAR WLD 14 ASSM EURO	
11	888271	ADJ SPRDR BAR WLD 15 ASSM EURO	
11	888272	ADJ SPRDR BAR WLD 16 ASSM EURO	
11	888273	ADJ SPRDR BAR WLD 17 ASSM EURO	
11	888274	ADJ SPRDR BAR WLD 18 ASSM EURO	
11	888275	ADJ SPRDR BAR WLD 19 ASSM EURO	
11	888276	ADJ SPRDR BAR WLD 20 ASSM EURO	
11	888277	ADJ SPRDR BAR WLD 22 ASSM EURO	
11	888278	ADJ SPRDR BAR WLD 24 ASSM EURO	
12	106944	WASHER FLAT THIN AN 1/4 ROHS	
13	204110	1/4-28 NYLOCK NUT BLK ZN	
14	226064	1/4-28 x 3/4 BH C/S BLK W/PTCH	
16	920027	QUICKIE GRIP 1" W/INSTR	
17	687900	BACK UPH 14" (21-22) S626	
17	687901	BACK UPH 14" (23-24) S626	
17	687902	BACK UPH 15" (21-22) S626	

Pos.	Item Number	Description	Remarks
17	687903	BACK UPH 15" (23-24) S626	
17	687904	BACK UPH 16" (21-22) S626	
17	687905	BACK UPH 16" (23-24) S626	
17	687906	BACK UPH 17" (21-22) S626	
17	687907	BACK UPH 17" (23-24) S626	
17	687908	BACK UPH 18" (21-22) S626	
17	687909	BACK UPH 18" (23-24) S626	
17	687910	BACK UPH 19" (21-22) S626	
17	687911	BACK UPH 19" (23-24) S626	
17	687912	BACK UPH 20" (21-22) S626	
17	687913	BACK UPH 20" (23-24) S626	
17	687914	BACK UPH 22" LOW S626	
17	687915	BACK UPH 22" MED S626	
17	687916	BACK UPH 22" TALL S626	
17	687917	BACK UPH 22" (21-22) S626	
17	687918	BACK UPH 22" (23-24) S626	
17	687919	BACK UPH 24" LOW S626	
17	687920	BACK UPH 24" MED S626	
17	687921	BACK UPH 24" TALL S626	
17	687922	BACK UPH 24" (21-22) S626	
17	687923	BACK UPH 24" (23-24) S626	
17	687923	S626 (SPECIFY HEIGHT)	
17	686930	BACK UPH 14" LOW P2	Fits all S646 & 36 chairs
17	686931	BACK UPH 14" MED P2	Fits all S646 & 36 chairs
17	686932	BACK UPH 14" TALL P2	Fits all S646 & 36 chairs
17	686933	BACK UPH 15" LOW P2	Fits all S646 & 36 chairs
17	686934	BACK UPH 15" MED P2	Fits all S646 & 36 chairs
17	686935	BACK UPH 15" TALL P2	Fits all S646 & 36 chairs
17	686936	BACK UPH 17" LOW P2	Fits all S646 & 36 chairs
17	686937	BACK UPH 17" MED P2	Fits all S646 & 36 chairs
17	686938	BACK UPH 17" TALL P2	Fits all S646 & 36 chairs
17	686940	BACK UPH 19" LOW P2	Fits all S646 & 36 chairs
17	686941	BACK UPH 19" MED P2	Fits all S646 & 36 chairs
17	686942	BACK UPH 19" TALL P2	Fits all S646 & 36 chairs
17	686943	BACK UPH 20" LOW P2	Fits all S646 & 36 chairs
17	686944	BACK UPH 20" MED P2	Fits all S646 & 36 chairs
17	686945	BACK UPH 20" TALL P2	Fits all S646 & 36 chairs
17	686961	BACK UPH 16" LOW P2	Fits all S646 & 36 chairs
17	686962	BACK UPH 16" MED P2	Fits all S646 & 36 chairs
17	686963	BACK UPH 16" TALL P2	Fits all S646 & 36 chairs
17	686975S	BACK UPH CUSTOM P110	Fits all S646 & 36 chairs
17	686981	BACK UPH 18" LOW P2	Fits all S646 & 36 chairs
17	686982	BACK UPH 18" MED P2	Fits all S646 & 36 chairs
17	686983	BACK UPH 18" TALL P2	Fits all S646 & 36 chairs
17	687916	BACK UPH 22" TALL S626	
17	687917	BACK UPH 22" (21-22) S626	
17	687918	BACK UPH 22" (23-24) S626	
17	687919	BACK UPH 24" LOW S626	
17	687920	BACK UPH 24" MED S626	
17	687921	BACK UPH 24" TALL S626	
17	687922	BACK UPH 24" (21-22) S626	
17	687923	BACK UPH 24" (23-24) S626	
17	687923	S626 (SPECIFY HEIGHT)	
17	686930	BACK UPH 14" LOW P2	Fits all S646 & 36 chairs
17	686931	BACK UPH 14" MED P2	Fits all S646 & 36 chairs
17	686932	BACK UPH 14" TALL P2	Fits all S646 & 36 chairs

Pos.	Item Number	Description	Remarks
17	686933	BACK UPH 15" LOW P2	Fits all S646 & 36 chairs
17	686934	BACK UPH 15" MED P2	Fits all S646 & 36 chairs
17	686935	BACK UPH 15" TALL P2	Fits all S646 & 36 chairs
17	686936	BACK UPH 17" LOW P2	Fits all S646 & 36 chairs
17	686937	BACK UPH 17" MED P2	Fits all S646 & 36 chairs
17	686938	BACK UPH 17" TALL P2	Fits all S646 & 36 chairs
17	686940	BACK UPH 19" LOW P2	Fits all S646 & 36 chairs
17	686941	BACK UPH 19" MED P2	Fits all S646 & 36 chairs
17	686942	BACK UPH 19" TALL P2	Fits all S646 & 36 chairs
17	686943	BACK UPH 20" LOW P2	Fits all S646 & 36 chairs
17	686944	BACK UPH 20" MED P2	Fits all S646 & 36 chairs
17	686945	BACK UPH 20" TALL P2	Fits all S646 & 36 chairs
17	686961	BACK UPH 16" LOW P2	Fits all S646 & 36 chairs
17	686962	BACK UPH 16" MED P2	Fits all S646 & 36 chairs
17	686963	BACK UPH 16" TALL P2	Fits all S646 & 36 chairs
17	686975S	BACK UPH CUSTOM P110	Fits all S646 & 36 chairs
17	686981	BACK UPH 18" LOW P2	Fits all S646 & 36 chairs
17	686982	BACK UPH 18" MED P2	Fits all S646 & 36 chairs
17	686983	BACK UPH 18" TALL P2	Fits all S646 & 36 chairs
3-9	883160	SOLID BACK ATTACH HARDWARE S626	
15,16	843070	BACK TUBE W/FOAM 15-16" L S626	
15,16	843071	BACK TUBE W/FOAM 15-16" R S626	
15,16	843072	BACK TUBE W/FOAM 17-18" L S626	
15,16	843073	BACK TUBE W/FOAM 17-18" R S626	
15,16	843074	BACK TUBE W/FOAM 19-20" L S626	
15,16	843075	BACK TUBE W/FOAM 19-20" R S626	
15,16	843076	BACK TUBE W/FOAM 21-22" L S626	
15,16	843077	BACK TUBE W/FOAM 21-22" R S626	
15,16	843078	BACK TUBE W/FOAM 23-24" L S626	
15,16	843079	BACK TUBE W/FOAM 23-24" R S626	
4,5,10,11	884160	ADJ SPREADER BAR 14" ASSM S626	
4,5,10,11	884161	ADJ SPREADER BAR 15" ASSM S626	
4,5,10,11	884162	ADJ SPREADER BAR 16" ASSM S626	
4,5,10,11	884163	ADJ SPREADER BAR 17" ASSM S626	
4,5,10,11	884164	ADJ SPREADER BAR 18" ASSM S626	
4,5,10,11	884165	ADJ SPREADER BAR 19" ASSM S626	
4,5,10,11	884166	ADJ SPREADER BAR 20" ASSM S626	
4,5,10,11	884167	ADJ SPREADER BAR 22" ASSM S626	Requires 2 Assemblies
4,5,10,11	884168	ADJ SPREADER BAR 24" ASSM S626	Requires 2 Assemblies

NOTE: For symmetric and asymmetric laterals, please refer to the "JAY PRECISION BACKREST & LATERAL" parts page.



Pos.	Item Number	Description	Pos.	Item Number	Description
1	226247	1/4-28 x 5/8 B/H C/S BLACK G5	6,7E,14	450825	TRUNK PAD FLAT 4"H x 6"L 1" CN
2	120093	SWING AWAY LATERAL L BRACKET	8	221092	1/4-28 x 7/16 BH CS BLK W/PTCH
3	226018-QU	10-32 x 3/8 BH C/S W/PATCH BLK	9	261111	9/32 x 5/8 OD FLAT WASHER BLK
4	120091	SWING AWAY LATERAL FLAT BRACKET	10	330134	THREADED PLATE
5	476180	ADJUSTABLE LATERAL SWING AWAY	11	120092	SWING AWAY LAT LONG L BRKT
6	455013-QU	10-32 x 1/2 ALLEN BH SCW	12	481106-QU	1/4-28 CHANNEL NUT
6,7,14	450852	TRUNK PAD CURVED 3"H x 6"L 1" CN	13	106943	WASHER FLAT AN 1/4 ROHS
6,7A,14	450854	TRUNK PAD CURVED 4"H x 5"L 1" CN	14	455031-QU	#10 AN WASHER .032 SS
6,7B,14	450855	TRUNK PAD CURVED 4"H x 6"L 1" CN	1,2,8-13	881902	LATERAL BRACKET ASSM SOLID BACK
6,7C,14	450822	TRUNK PAD FLAT 3"H x 6"L 1" CN	1-5,8-13	900475	S/A LATERAL ASSM SOLID BACK
6,7D,14	450824	TRUNK PAD FLAT 4"H x 5"L 1" CN			

To request assembly of parts being ordered as a kit, please add "ASSY-HNG-FP" after compatible Hanger & Footplate parts are selected

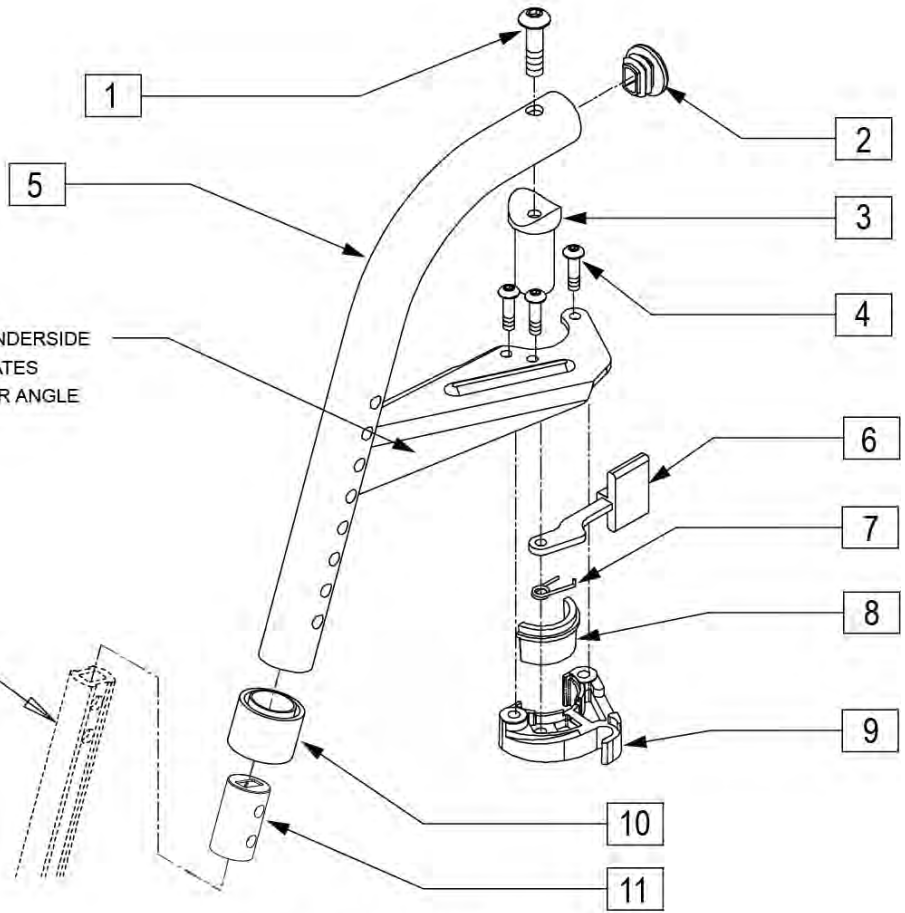
12



ORDER QUANTITY 2 WHEN RETRO-FITTING TO CHAIR

NOTE: STAMP ON UNDERSIDE OF BRACKET INDICATES DEGREE OF HANGER ANGLE

NOTE: DOUBLE D EXTENSION TUBE 2 BOLTS.



Drawing shows left side

Pos.	Item Number	Description	Remarks
1	226217	5/16-18 x 2" BH C/S BLK	
2	561378	END PLUG DBL "D" S525	
3	561197	PLASTIC PIVOT SADDLE	
4	226057	10/24 x .725 BTTN HD SOC BZ	
6	561079	S/A LATCH LEVER	
7	321136	S/A SPRING L RED	Left
7	321137	S/A SPRING R CLEAR	Right
8,9	881500	LATCH BLOCK ASSM R	Right
8,9	881501	LATCH BLOCK ASSM L	Left
10	561082	1" TUBE END BUSHING THIN	
11	100968	SPCR ANTI ROTATE INSRT D2 EXT	
12	107491	LATCH STUD KIT	order qty 2 when retrofitting to chair
1-11	641526S	HANGER ASSM S/A 70D POWER R	Right
1-11	641525S	HANGER ASSM S/A 70D POWER L	Left
		Ship assembled part #	Use with multiple assemblies
	ASSY-HNG-FP	HANGER/FOOTPLATE ASSY REQUIRED	add with Hanger & Footplate kit

[12/26/2019]

Note: If replacing hanger only and chair was built prior to the serial numbers listed, Quickie S646/S646SE - S/N S64-041562 --Quickie S525 - S/N S52-024192--Quickie P222SE - S/N P2X-0018648--Quickie P220 - S/N P20-028108 please order complete assembly 641525 and/or 641526.

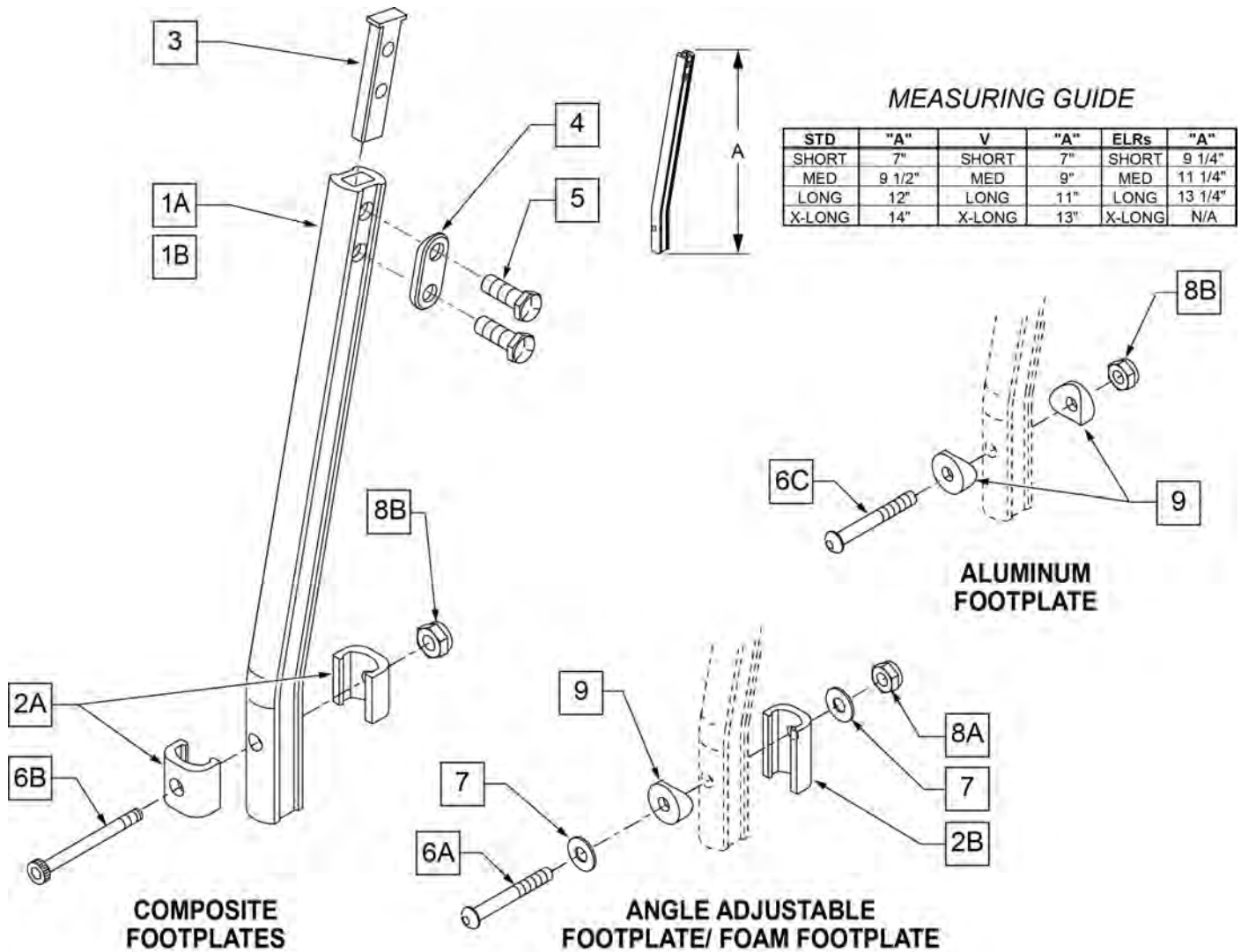
DOUBLE D FOOTREST EXTENSION TUBE "OLD STYLE"

[03/2017]

NOTE: DISCONTINUED - PARTS ONLY ON GP SWNG-AWAY BEGINNING 4/4/15 & S/N GP-95902, KIDS Q2 SE BEGINNING 4/16/15 & S/N QKE-003425, LX BEGINNING 10/24/2008 & S/N LX-034330, LXI BEGINNING 4/25/15 & S/N LXI-060868, QTS BEGINNING 5/15/15 & S/N QT-044951, QTS SE BEGINNING 5/15/15 & S/N QTE-002092

NOTE: IF REPLACING AN EXTENSION TUBE ON AN MANUAL ALR PLEASE REFER TO THE ROUND EXT TUBE PARTS MANUAL PAGE.

NOTE: WHEN ORDERING REPLACEMENT EXTENSION TUBES PLEASE VERIFY IF YOU HAVE THE OLD STYLE DOUBLE D EXTENSION TUBE OR THE NEW STYLE DOUBLE D EXTENSION TUBE. THIS CAN BE DONE BY REVIEWING THE HANGER THE EXTENSION TUBE IS USED ON. IF THE HANGER UTILIZES A SINGLE SET SCREW AT THE BOTTOM OF THE HANGER TUBE TO ATTACH THE EXTENSION TUBE TO THE HANGER, THEN THIS UTILIZES THE NEW STYLE DOUBLE D EXT TUBE. ALL OTHER HANGERS REQUIRING A DOUBLE D EXTENSION TUBE UTILIZE THE OLD STYLE.



Pos.	Item Number	Description	Remarks
1A	550819	EXT TUBE S/A ONLY SHT	Short Ext-Swing Away Hanger

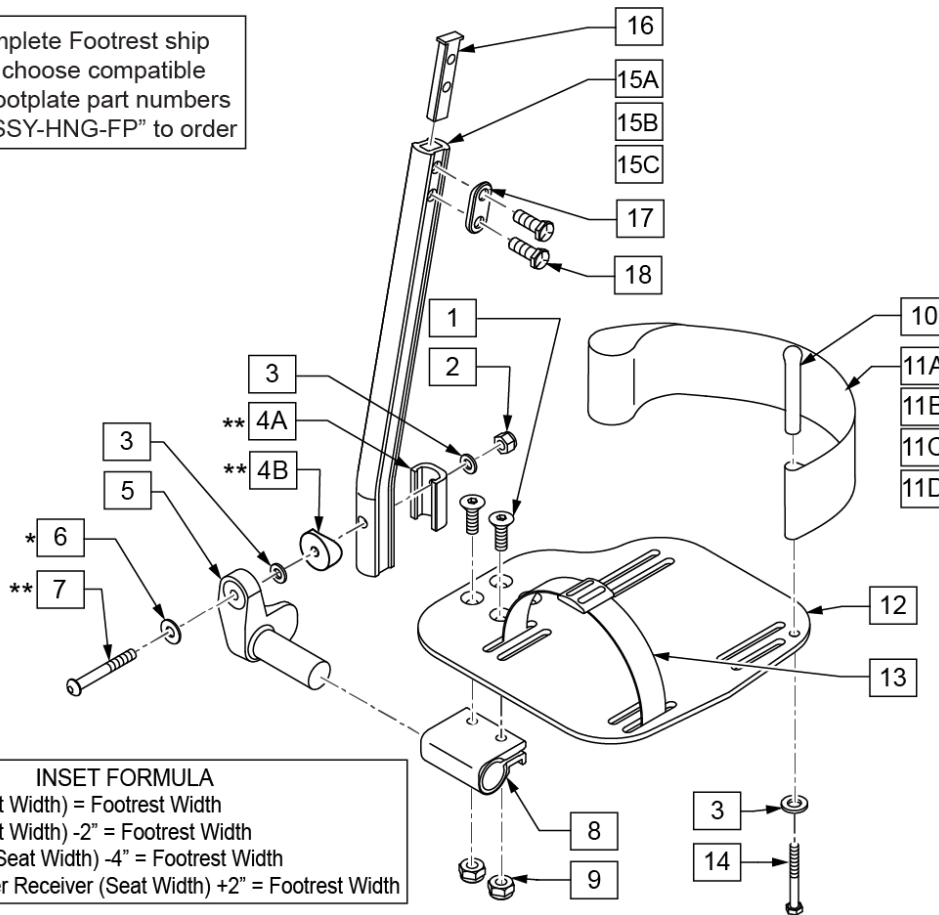
Pos.	Item Number	Description	Remarks
1A	550820	EXT TUBE S/A ONLY MED	Med Ext-Swing Away Hanger
1A	550821	EXT TUBE S/A ONLY LONG	Long Ext-Swing Away Hanger
1A	550822	EXT TUBE S/A ONLY X-LONG	X-Long Ext-Swing Away Hanger
1B	550834	EXT TUBE V IN ONLY D2 SHT R	Right Short Ext-Swing Away Hanger
1B	550835	EXT TUBE V IN ONLY D2 SHT L	Left Short Ext-Swing Away Hanger
1B	550836	EXT TUBE V IN ONLY D2 MED R	Right Med Ext-Swing Away Hanger
1B	550837	EXT TUBE V IN ONLY D2 MED L	Left Med Ext-Swing Away Hanger
1B	550838	EXT TUBE V IN ONLY D2 LONG R	Right Long Ext-Swing Away Hanger
1B	550839	EXT TUBE V IN ONLY D2 LONG L	Left Long Ext-Swing Away Hanger
1B	550840	EXT TUBE V IN ONLY D2 X-LONG R	Right X-Long Ext-Swing Away Hanger
1B	550841	EXT TUBE V IN ONLY D2 X-LONG L	Left X-Long Ext-Swing Away Hanger
2A	483718	HANGER EXTENSION SADDLE	USE W/ COMPOSITE FTPLT
2B	483720	HANGER EXTENSION SADDLE LONG	USE W/ ANGLE ADJ FTPLT
3	500078	INSERT D2 EXT TUBE	
4	483717	HANGER SADDLE	
5	221102	1/4-28 x 3/4 HEX HEAD C/S BLK W/PTCH	
6A	106962	1/4-28 x 1 3/4 BH C/S BLK ZN	USE W/ ANGLE ADJ FTPLT
6B	226165	1/4 -28 x 2 1/2 SOC C/S	USE W/ COMPOSITE FTPLT
6C	226147	1/4 -28 X 1.85 BH C/S	
7	106945	1/4" SAE WASHER	
8A	106941	1/4 -28 AUTOMATION NUT	USE W/ ANGLE ADJ FTPLT
8B	106935	1/4 -28 NYLOCK NUT THIN	USE W/ COMPOSITE FTPLT
9	561055	3/4 SADDLE 1" OD	USE W/ ANGLE ADJ FTPLT
1A,2A-5	921759	EXT TUBE S/A SHT ASSM PCKT	USE W/ COMPOSITE FTPLT
1A,2A-5	921760	EXT TUBE S/A MED ASSM PCKT	USE W/ COMPOSITE FTPLT
1A,2A-5	921761	EXT TUBE S/A LONG ASSM PCKT	USE W/ COMPOSITE FTPLT
1A,2A-5	921762	EXT TUBE S/A X-LONG ASSM PCKT	USE W/ COMPOSITE FTPLT
1B,2A-5	921751	EXT TUBE "V" D2 SHT R ASSM PCKT	RIGHT - USE W/ COMPOSITE FTPLT V HANGER
1B,2A-5	921752	EXT TUBE "V" D2 SHT L ASSM PCKT	LEFT - USE W/ COMPOSITE FTPLT V HANGER
1B,2A-5	921753	EXT TUBE "V" D2 MED R ASSM PCKT	RIGHT - USE W/ COMPOSITE FTPLT V HANGER
1B,2A-5	921754	EXT TUBE "V" D2 MED L ASSM PCKT	LEFT - USE W/ COMPOSITE FTPLT V HANGER
1B,2A-5	921755	EXT TUBE "V" D2 LONG R ASSM PCKT	RIGHT - USE W/ COMPOSITE FTPLT V HANGER
1B,2A-5	921756	EXT TUBE "V" D2 LONG L ASSM PCKT	LEFT - USE W/ COMPOSITE FTPLT V HANGER
1B,2A-5	921757	EXT TUBE "V" D2 X-LONG R ASSM PCKT	RIGHT - USE W/ COMPOSITE FTPLT V HANGER
1B,2A-5	921758	EXT TUBE "V" D2 X-LONG L ASSM PCKT	LEFT - USE W/ COMPOSITE FTPLT V HANGER
1A,2A-7,9	921772	EXT TUBE S/A SHT ANG ADJ PCKT	USE W/ ANGLE ADJ FTPLT
1A,2A-7,9	921773	EXT TUBE S/A MED ANG ADJ PCKT	USE W/ ANGLE ADJ FTPLT
1A,2A-7,9	921774	EXT TUBE S/A LONG ANG ADJ PCKT	USE W/ ANGLE ADJ FTPLT
1A,2A-7,9	921775	EXT TUBE S/A X-LONG ANG ADJ PCKT	USE W/ ANGLE ADJ FTPLT
1B,2A-7,9	921764	EXT TUBE "V" D2 SHT R ANG ADJ PCKT	RIGHT - USE W/ ANGLE ADJ FTPLT V HANGER
1B,2A-7,9	921765	EXT TUBE "V" D2 SHT L ANG ADJ PCKT	LEFT - USE W/ ANGLE ADJ FTPLT V HANGER
1B,2A-7,9	921766	EXT TUBE "V" D2 MED R ANG ADJ PCKT	RIGHT - USE W/ ANGLE ADJ FTPLT V HANGER
1B,2A-7,9	921767	EXT TUBE "V" D2 MED L ANG ADJ PCKT	LEFT - USE W/ ANGLE ADJ FTPLT V HANGER
1B,2A-7,9	921768	EXT TUBE "V" D2 LONG R ANG ADJ PCKT	RIGHT - USE W/ ANGLE ADJ FTPLT V HANGER
1B,2A-7,9	921769	EXT TUBE "V" D2 LONG L ANG ADJ PCKT	LEFT - USE W/ ANGLE ADJ FTPLT V HANGER
1B,2A-7,9	921770	EXT TUBE "V" D2 X-LONG R ANG AD PCKT	RIGHT - USE W/ ANGLE ADJ FTPLT V HANGER
1B,2A-7,9	921771	EXT TUBE "V" D2 X-LONG L ANG AD PCKT	LEFT - USE W/ ANGLE ADJ FTPLT V HANGER

Note: * only 1 washer prior to 8/13/01.

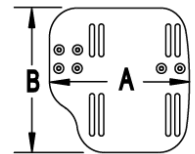
Note: **not included in the Footplate kits; order extension tube kit or part separately.

Note: see attached REFERENCE GUIDE.

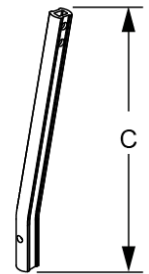
To have complete Footrest ship assembled, choose compatible Hanger + Footplate part numbers and add "ASSY-HNG-FP" to order



MEASURING GUIDE



CHAIR WIDTH	"A"	"B"
10" - 11"	3 1/2"	7 1/4"
12" - 13"	4 1/2"	7 3/4"
14" - 15"	5 1/2"	7 3/4"
16" - 17"	6 1/2"	7 3/4"
18" - 20"	7 1/2"	7 3/4"



STD	"C"
SHORT	7"
MED	9 1/2"
LONG	12"

INSET FORMULA

0" Inset (Seat Width) = Footrest Width
 1" Inset (Seat Width) -2" = Footrest Width
 "V" Hanger (Seat Width) -4" = Footrest Width
 Offset Hanger Receiver (Seat Width) +2" = Footrest Width

Pos.	Item Number	Description	Remarks
1	106978	1/4-28 x 7/8 FH C/S	
2	106941	1/4-28 AUTOMATION NUT	
3	106943	WASHER FLAT AN 1/4 ROHS	
4A	483720	HANGER EXTENSION SADDLE LONG	1 per Ext Tube
4B	561055	3/4" SADDLE 1" OD	1 per Ext Tube
5	541002	FTRST MOUNTING BRKT-3/8 RAD R	RIGHT
5	541003	FTRST MOUNTING BRKT-3/8 RAD L	LEFT
6	106945	WASHER FLAT SAE 1/4 ROHS	
7	106962	BHCS 1/4-28 X 1-3/4 ROHS	
8	550350	3/4" CLMP ADJ FT PLT	
9	106935	NUT NYLOCK THIN 1/4-28 ROHS	

Pos.	Item Number	Description	Remarks
10	561040	HEEL LOOP PEG	
11A	741154	HEEL LOOP 14-15 CMPST HEMI	used w/ 10-11" Adult Ang Adj Ftplts
11B	741155	HEEL LOOP 16-17 CMPST HEMI	used w/ 12 -13" Adult Ang Adj Ftplts
11C	741153	H/L 18-20 CMPST/14-15 ANG ADJ	used w/ 14-15"/16-17" Adult Ang Adj Ftplts
11D	741253	HEEL LOOP ADLT ADJ F/PLT 18-20	used w/ 18 -20" Adult Ang Adj Ftplts
12	500656	ADLT ANGL ADJ F/PLT 10/11" R	RIGHT
12	500657	ADLT ANGL ADJ F/PLT 10/11" L	LEFT
12	500658	ADLT ANGL ADJ F/PLT 12/13" R	RIGHT
12	500659	ADLT ANGL ADJ F/PLT 12/13" L	LEFT
12	500660	ADLT ANGL ADJ F/PLT 14/15	RIGHT
12	500661	ADLT ANGL ADJ F/PLT 14/15	LEFT
12	500662	ADLT ANGL ADJ F/PLT 16/17	RIGHT
12	500663	ADLT ANGL ADJ F/PLT 16/17	LEFT
12	500664	ADLT ANGL ADJ F/PLT 18-20	RIGHT
12	500665	ADLT ANGL ADJ F/PLT 18-20	LEFT
13	740260	TOE/ANKLE STRAP ADJ ADLT F/PLT	
14	106958	1/4-20 x 1 HEX C/S	
15A	550819	EXT TUBE S/A ONLY SHT	Short
15B	550820	EXT TUBE S/A ONLY MED	Medium
15C	550821	EXT TUBE S/A ONLY LONG	Long
16	500078	INSERT D2 EXT TUBE	
17	483717	HANGER SADDLE	
18	221102	1/4-28 X 3/4 HEX HEAD C/S BLK W/PTCH	
1-3,6,7A,9-10,14	101533	ADLT ANG ADJ FP D2 HDWR KIT	for Double D Ext Tubes; Kit for one side
		<<Extension Tube Kit>>	
4A,4B,6,7,15A,16-18	921772	EXT TBE S/A SHT ANG ADJ PCKT	Short
4A,4B,6,7,15B,16-18	921773	EXT TBE S/A MED ANG ADJ PCKT	Medium
4A,4B,6,7,15C,16-18	921774	EXT TBE S/A LNG ANG ADJ PCKT	Long
		<<Footplate Omit Heel Loop>>	
1-3,5,6,8,9,12	820526	AD ANG ADJ F/PLT R 12"/13" OMIT HL	RIGHT
1-3,5,6,8,9,12	820536	AD ANG ADJ F/PLT L 12"/13" OMT HL	LEFT
1-3,5,6,8,9,12	820460	FP ADLT ADJ 14/15 OMIT HL	RIGHT
1-3,5,6,8,9,12	820462	FP ADLT ADJ 14/15 OMIT HL	LEFT
1-3,5,6,8,9,12	820464	FP ADLT ADJ 16/17 OMIT HL	RIGHT
1-3,5,6,8,9,12	820466	FP ADLT ADJ 16/17 OMIT HL	LEFT
1-3,5,6,8,9,12	820468	FP ADLT ADJ 18-20 OMIT HL	RIGHT
1-3,5,6,8,9,12	820470	FP ADLT ADJ 18-20 OMIT HL	LEFT
1-3,5,6,8,9,12	921466	ADLT ANGL ADJ F/PLT 12"/13" OMIT HL	PAIR
1-3,5,6,8,9,12	921320	FP ADLT ADJ 14/15 OMIT HL	PAIR
1-3,5,6,8,9,12	921322	FP ADLT ADJ 16/17 OMIT HL	PAIR
1-3,5,6,8,9,12	921324	FP ADLT ADJ 18-20 OMIT HL	PAIR
		<<Footplate w/ Heel Loop>>	
1-3,5,6,8,9,11B,12	820522	AD ANGL ADJ F/PLT R 12/13" H/L	RIGHT
1-3,5,6,8,9,11B,12	820532	AD ANGL ADJ F/PLT L 12/13" H/L	LEFT
1-3,5,6,8-10,11C, 12,14	820461	FP ADLT ADJ 14/15 HL	RIGHT
1-3,5,6,8-10,11C, 12,14	820463	FP ADLT ADJ 14/15 HL	LEFT
1-3,5,6,8-10,11C, 12,14	820465	FP ADLT ADJ 16/17 HL	RIGHT
1-3,5,6,8-10,11C, 12,14	820467	FP ADLT ADJ 16/17 HL	LEFT
1-3,5,6,8-10,11D, 12,14	820469	FP ADLT ADJ 18-20 HL	RIGHT
1-3,5,6,8-10,11D, 12,14	820471	FP ADLT ADJ 18-20 HL	LEFT
1-3,5,6,8-10,11B, 12,14	921462	ADLT ANGL ADJ F/PLATE 12"/13" HL	PAIR
1-3,5,6,8-10,11C, 12,14	921321	FP ADLT ADJ 14/15 HL	PAIR
1-3,5,6,8-10,11C, 12,14	921323	FP ADLT ADJ 16/17 HL	PAIR
1-3,5,6,8-10,11D, 12,14	921325	FP ADLT ADJ 18-20 HL	PAIR
		Ship assembled part #	Use with multiple assemblies
	ASSY-HNG-FP	HANGER/FOOTPLATE ASSY REQUIRED	add with Hanger & Footplate kit

Note: Footplate Assemblies are set to footrest width; please see "Footplate Formula" table for seat width conversion.

Note: V Style Hangers are not available on Swing Away Style chairs effective 7/14/14; see the "Prior To" ordering guide for V Style footplate assemblies.

Note: Zippie Iris (ZRS&ZRSE) and Zippie TS (Z1A&Z1SE) only use Straight Extension Tube.

Note: if chair has High Mount Ext Tubes or if switching to High Mount Ext Tubes, see KAA Footplate w/ High Mount Extension Ordering Guide.

To have complete Footrest ship assembled, choose compatible Hanger + Footplate part numbers and add "ASSY-HNG-FP" to order

FOOTPLATE FORMULA

0" Inset (Seat Width) = Footrest Width
 1" Inset (Seat Width) -2" = Footrest Width
 V Hanger (Seat Width) -4" = Footrest Width
 Offset Hanger Receiver (Seat Width) +2" = Footrest Width

MEASURING GUIDE

CHAIR WIDTH	"A"	"B"
10" W	3.55"	6.00"
11" W	4.05"	6.00"
12" W	4.55"	6.00"
13" W	5.05"	6.00"
14" W	5.55"	6.00"
15" W	6.05"	6.00"
16" W	6.55"	6.00"

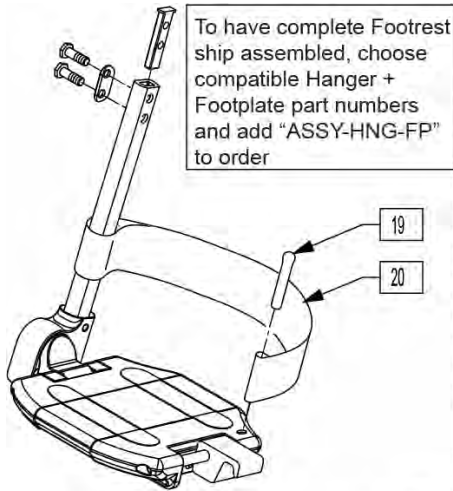
*** NOTE:**
 ITEMS 5, 8 & 11 NOT INCLUDED W/ FOOTPLATE ASSEMBLY
 ITEMS 5, 8 & 11 INCLUDED W/ EXTENSION TUBE ASSEMBLY FOR STANDARD HANGERS
 FOR ELEVATING LEGREST, ORDER QTY 2 OF ITEMS 5, 8 & 11

Pos.	Item Number	Description	Remarks
1	106978	FHCS 1/4 -28 x 7/8 ROHS	

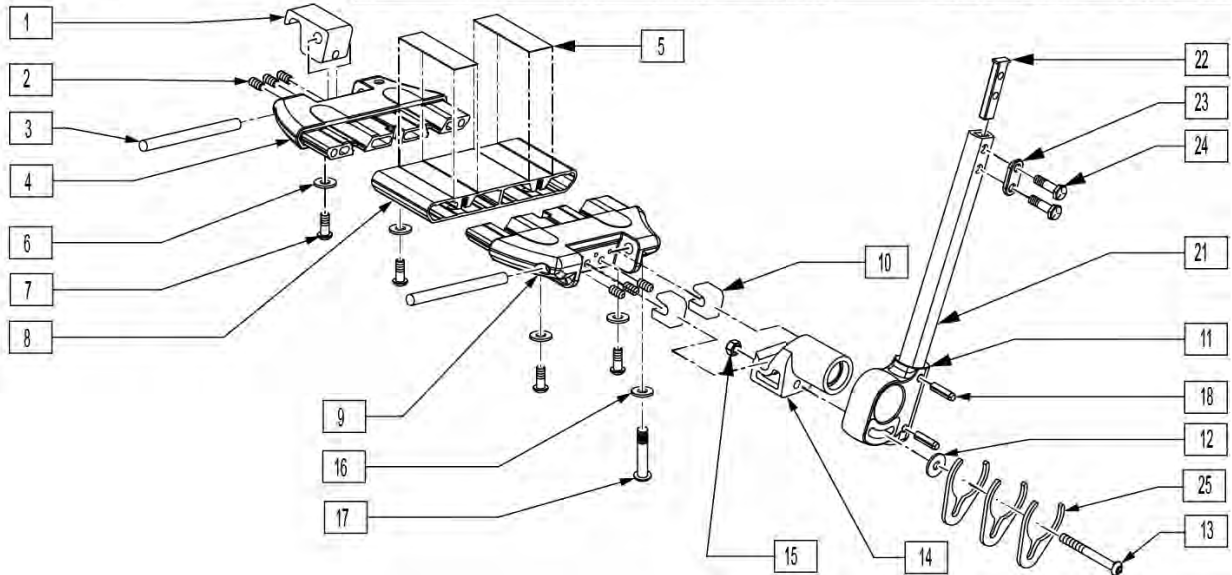
Pos.	Item Number	Description	Remarks
2	500635	KIDS ANGL ADJ F/PLT 10" R	Right
2	500636	KIDS ANGL ADJ F/PLT 10" L	Left
2	500637	KIDS ANGL ADJ F/PLT 11" R	Right
2	500638	KIDS ANGL ADJ F/PLT 11" L	Left
2	500639	KIDS ANGL ADJ F/PLT 12" R	Right
2	500640	KIDS ANGL ADJ F/PLT 12" L	Left
2	500641	KIDS ANGL ADJ F/PLT 13" R	Right
2	500642	KIDS ANGL ADJ F/PLT 13" L	Left
2	500643	KIDS ANGL ADJ F/PLT 14" R	Right
2	500644	KIDS ANGL ADJ F/PLT 14" L	Left
2	500645	KIDS ANGL ADJ F/PLT 15" R	Right
2	500646	KIDS ANGL ADJ F/PLT 15" L	Left
2	500647	KIDS ANGL ADJ F/PLT 16" R	Right
2	500648	KIDS ANGL ADJ F/PLT 16" L	Left
3	550350	3/4" CLAMP ADJ FOOTPLATE	
4	106935	NUT NYLOCK THIN 1/4 -28 ROHS	
5	106962	1/4-28 x 1 3/4 BH C/S BLK ZN (D2 EXTENSION TUBES)	
5	226167	1/4-28 x 1.625 BH C/S BLK (ROUND EXTENSION TUBES)	
6	106945	1/4 SAE WASHER	
7	541002	FTRST MOUNTING BRKT-3/8 RAD R	
7	541003	FTRST MOUNTING BRKT-3/8 RAD L	
8	561055	3/4" SADDLE 1" OD	
9	106944	WASHER FLAT THIN AN 1/4 ROHS	
10	106941	NUT AUTOMATION 1/4 -28 ROHS	
11	483720	HANGER EXTENSION SADDLE LONG	Use with Double D Ext Tube
1-4,6,7,9,10	828850	KIDS ANG ADJ F/PLT EXT-MNT 10"R	Right
1-4,6,7,9,10	828851	KIDS ANG ADJ F/PLT EXT-MNT 10"L	Left
1-4,6,7,9,10	828852	KIDS ANG ADJ F/PLT EXT-MNT 11"R	Right
1-4,6,7,9,10	828853	KIDS ANG ADJ F/PLT EXT-MNT 11"L	Left
1-4,6,7,9,10	828854	KIDS ANG ADJ F/PLT EXT-MNT 12"R	Right
1-4,6,7,9,10	828855	KIDS ANG ADJ F/PLT EXT-MNT 12"L	Left
1-4,6,7,9,10	828856	KIDS ANG ADJ F/PLT EXT-MNT 13"R	Right
1-4,6,7,9,10	828857	KIDS ANG ADJ F/PLT EXT-MNT 13"L	Left
1-4,6,7,9,10	828858	KIDS ANG ADJ F/PLT EXT-MNT 14"R	Right
1-4,6,7,9,10	828859	KIDS ANG ADJ F/PLT EXT-MNT 14"L	Left
1-4,6,7,9,10	828860	KIDS ANG ADJ F/PLT EXT-MNT 15"R	Right
1-4,6,7,9,10	828861	KIDS ANG ADJ F/PLT EXT-MNT 15"L	Left
1-4,6,7,9,10	828862	KIDS ANG ADJ F/PLT EXT-MNT 16"R	Right
1-4,6,7,9,10	828863	KIDS ANG ADJ F/PLT EXT-MNT 16"L	Left
1-4,6,7,9,10	921280	KIDS ANG ADJ F/PLT EXT-MNT 10"	Pair
1-4,6,7,9,10	921281	KIDS ANG ADJ F/PLT EXT-MNT 11"	Pair
1-4,6,7,9,10	921282	KIDS ANG ADJ F/PLT EXT-MNT 12"	Pair
1-4,6,7,9,10	921283	KIDS ANG ADJ F/PLT EXT-MNT 13"	Pair
1-4,6,7,9,10	921284	KIDS ANG ADJ F/PLT EXT-MNT 14"	Pair
1-4,6,7,9,10	921285	KIDS ANG ADJ F/PLT EXT-MNT 15"	Pair
1-4,6,7,9,10	921286	KIDS ANG ADJ F/PLT EXT-MNT 16"	Pair
		Ship assembled part #	Use with multiple assemblies
	ASSY-HNG-FP	HANGER/FOOTPLATE ASSY REQUIRED	add with Hanger & Footplate kit

TWO PIECE LOCKING FOOTPLATE

[02/25/2019]



STRAIGHT FRAME									
FRAME WIDTH	FOOTPLATE	LENGTH	RIGHT FOOTPLATE		LEFT FOOTPLATE		ASSEMBLIES W/EXT TUBES		
			ASSEM	SHORT	MED	LONG			
14"	N/A	N/A	N/A	N/A	N/A	N/A	N/A	N/A	
15"	506230	2.23	820621	820620	921350	900280	900290	900172	
16"	506231	2.73	820623	820622	921351	900281	900291	900173	
17"	506232	3.23	820625	820624	921352	900282	900292	900174	
18"	506233	3.73	820627	820626	921353	900283	900293	900175	
19"	506234	4.23	820629	820628	921354	900284	900294	900176	
20"	506235	4.73	820631	820630	921355	900285	900295	900177	
22"	506236	5.73	820633	820632	921356	900286	900296	900178	
24"	506237	6.73	820635	820634	921357	900287	900297	900179	
FLARED FRAME									
14"	506230	2.73	820621	820620	921350	900280	900290	900172	
15"	506231	3.73	820623	820622	921351	900281	900291	900173	
16"	506232	3.73	820625	820624	921352	900282	900292	900174	
17"	506233	4.73	820627	820626	921353	900283	900293	900175	
18"	506234	4.73	820629	820628	921354	900284	900294	900176	
19"	506235	5.73	820631	820630	921355	900285	900295	900177	
20"	506238	5.73	820638	820637	921358	900763	900762	900761	
22"	506228	6.73	820640	820639	921348	900764	900765	900766	
24"	506229	7.73	820642	820641	921349	900767	900768	900769	



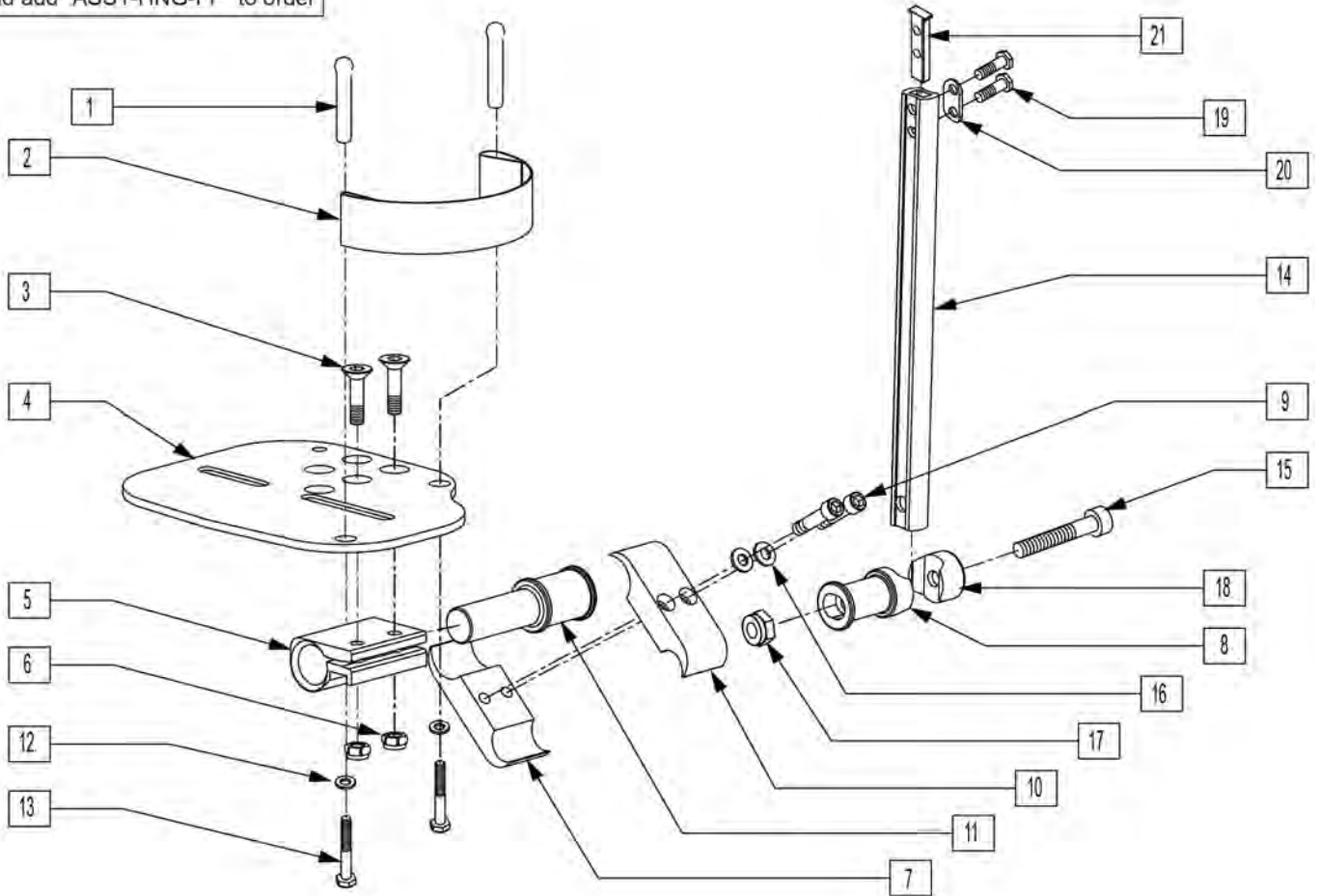
Pos.	Item Number	Description	Remarks
1	560034	FOOT BOARD LOCKING SUPPORT	
2	230030	M6 x 12 SET SCREW CUP POINT	
3	481283	PIN 8mm x 100mm	
5	360010	FOOT BOARD SKID TAPE	
6	106943	1/4 AN WASHER FLAT	
7	230032	M6 x 16 B/H CAP SCREW	
9	560019	FOOT BOARD HOLDER R	
9	560020	FOOT BOARD HOLDER L	
10	560021	FOOT BOARD SHIM ALIGNMENT	
11	560024	FOOT YOKE	
12	250070	METRIC WASHER	
13	066900-011	BHCS,MX1.0X65MM	
14	760824025	RETAINER	
15	200113	NUT HEX NYLOCK M6 X 1 NUT	
16	106944	1/4 AN WASHER FLAT THIN	
17	106958	1/4-20 x 1 HEX C/S	
18	349583	6 x 25mm GROOVED PIN	
19	561040	HEEL LOOP PEG	

Pos.	Item Number	Description	Remarks
20	741151	HEEL LOOP 14-15 CMPST	
20	741153	H/L 18-20 CMPST/14-15 ANG ADJ	
20	741156	HEEL LOOP 18-20 CMPST	
20	741253	HEEL LOOP ADLT ADJ F/PLT 18-20	
21	550831	EXT TBE PLTFRM ONLY SHT	
21	550832	EXT TBE PLTFRM ONLY MED	
21	550833	EXT TBE PLTFRM ONLY LNG	
22	500078	INSERT D2 EXT TUBE	
23	483717	HANGER SADDLE	
24	221102	1/4-28 x 3/4 HEX HEAD C/S BLK W/PTCH	
11,18	921748	EXT TBE PLTFRM SHT ASSM PCKT	
11,18	921749	EXT TBE PLTFRM MED ASSM PCKT	
11,18	921750	EXT TBE PLTFRM LNG ASSM PCKT	
1-10,12-16,19,20,25	820620	LOCKING FTPLT 15 W LEFT	
1-10,12-16,19,20,25	820621	LOCKING FTPLT 15 W RIGHT	
1-10,12-16,19,20,25	820622	LOCKING FTPLT 16 W LEFT	
1-10,12-16,19,20,25	820623	LOCKING FTPLT 16 W	
1-10,12-16,19,20,25	820624	LOCKING FTPLT 17 W LEFT	
1-10,12-16,19,20,25	820625	LOCKING FTPLT 17 W RIGHT	
1-10,12-16,19,20,25	820626	LOCKING FTPLT 18 W LEFT	
1-10,12-16,19,20,25	820627	LOCKING FTPLT 18 W RIGHT	
1-10,12-16,19,20,25	820628	LOCKING FTPLT 19 W LEFT	
1-10,12-16,19,20,25	820629	LOCKING FTPLT 19 W RIGHT	
1-10,12-16,19,20,25	820630	LOCKING FTPLT 20 W LEFT	
1-10,12-16,19,20,25	820631	LOCKING FTPLT 20 W RIGHT	
1-10,12-16,19,20,25	820632	LOCKING FTPLT 22 W LEFT	
1-10,12-16,19,20,25	820633	LOCKING FTPLT 22 W RIGHT	
1-10,12-16,19,20,25	820634	LOCKING FTPLT 24 W LEFT	
1-10,12-16,19,20,25	820635	LOCKING FTPLT 24 W RIGHT	
1-21,25	900280	LCKNG FTPLT 15" W/SHT EXT ASSM	
1-21,25	900281	LCKNG FTPLT 16" W/SHT EXT ASSM	
1-21,25	900282	LCKNG FTPLT 17" W/SHT EXT ASSM	
1-21,25	900283	LCKNG FTPLT 18" W/SHT EXT ASSM	
1-21,25	900284	LCKNG FTPLT 19" W/SHT EXT ASSM	
1-21,25	900285	LCKNG FTPLT 20" W/SHT EXT ASSM	
1-21,25	900286	LCKNG FTPLT 22" W/SHT EXT ASSM	
1-21,25	900287	LCKNG FTPLT 24" W/SHT EXT ASSM	
1-21,25	900290	LCKNG FTPLT 15" W/MED EXT ASSM	
1-21,25	900291	LCKNG FTPLT 16" W/MED EXT ASSM	
1-21,25	900292	LCKNG FTPLT 17" W/MED EXT ASSM	
1-21,25	900293	LCKNG FTPLT 18" W/MED EXT ASSM	
1-21,25	900294	LCKNG FTPLT 19" W/MED EXT ASSM	
1-21,25	900295	LCKNG FTPLT 20" W/MED EXT ASSM	
1-21,25	900296	LCKNG FTPLT 22" W/MED EXT ASSM	
1-21,25	900297	LCKNG FTPLT 24" W/MED EXT ASSM	
1-21,25	900172	LCKNG FTPLT 15" W/LNG EXT ASSM	
1-21,25	900173	LCKNG FTPLT 16" W/LNG EXT ASSM	
1-21,25	900174	LCKNG FTPLT 17" W/LNG EXT ASSM	
1-21,25	900175	LCKNG FTPLT 18 W/LNG EXT ASSM	
1-21,25	900176	LCKNG FTPLT 19 W/LNG EXT ASSM	
1-21,25	900177	LCKNG FTPLT 20 W/LNG EXT ASSM	
1-21,25	900178	LCKNG FTPLT 22"W/LNG EXT ASSM	
1-21,25	900179	LCKNG FTPLT 24"W/LNG EXT ASSM	
		Ship assembled part #	Use with multiple assemblies
	ASSY-HNG-FP	HANGER/FOOTPLATE ASSY REQUIRED	add with Hanger & Footplate kit
26	250070	M6 WASHER	

Pos.	Item Number	Description	Remarks
27	210000	M6 x 55 8.8 BUTTON HD CAP SCRW	

Note: see Ordering Guide in informations panel to determine the correct size footplate assemblies.

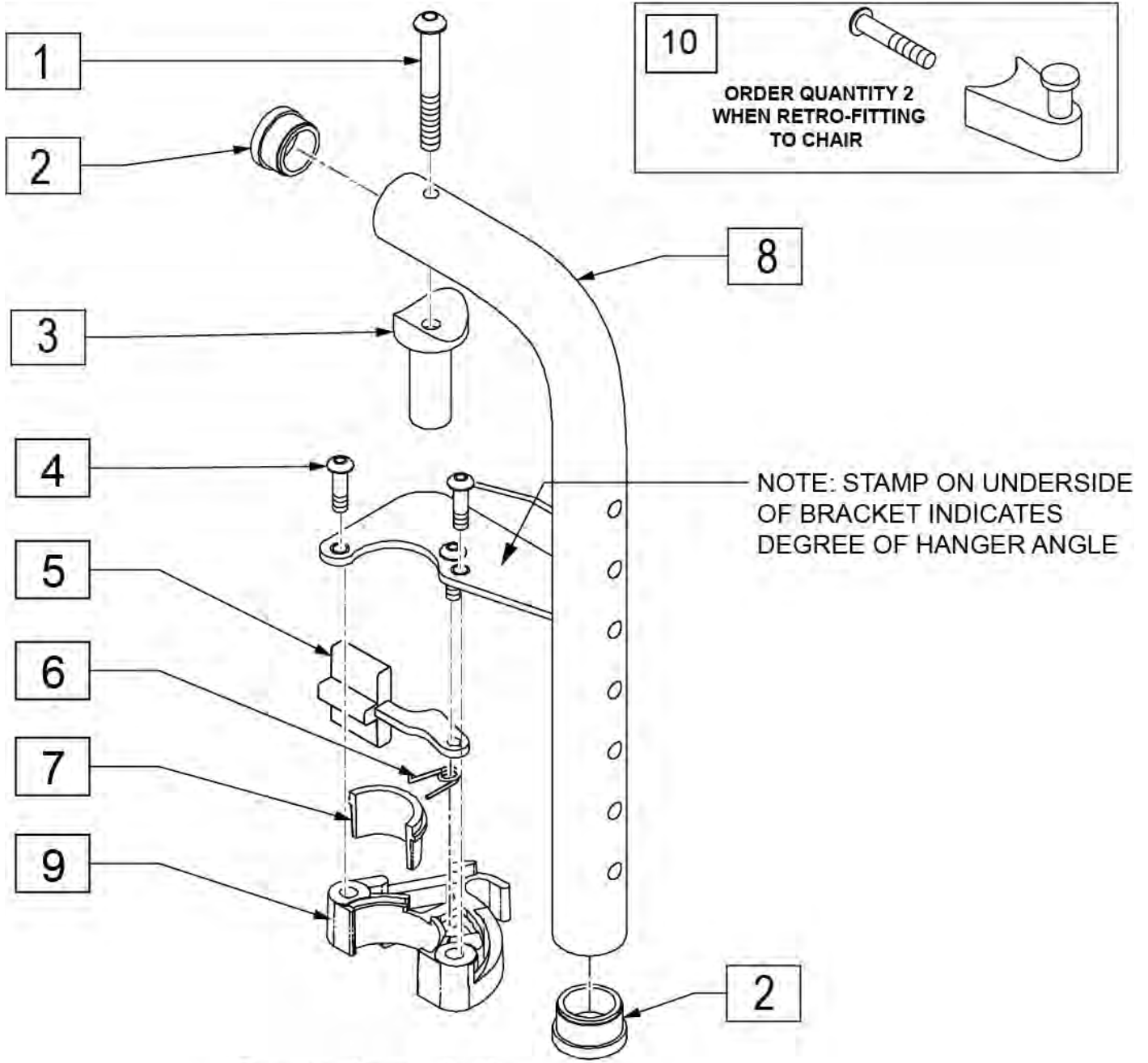
To have complete Footrest ship assembled, choose compatible Hanger + Footplate part numbers and add "ASSY-HNG-FP" to order



Pos.	Item Number	Description	Remarks
1	561040	HEEL LOOP PEG	
2	741130	HEEL LOOP 14-15 MULTI PSTN	
2	741131	HEEL LOOP 16-17 MULTI PSTN	
2	741132	HEEL LOOP 18-20 MULTI PSTN	
2	741151	HEEL LOOP 14-15 CMPST	
2	741170	HEEL LOOP P300	
3	106978	1/4-28 X 7/8 FH C/S	
4	500658	ADLT ANGL ADJ F/PLT 12/13" R	
4	500659	ADLT ANGL ADJ F/PLT 12/13" L	
4	500660	ADLT ANGL ADJ F/PLT 14/15" R	
4	500661	ADLT ANGL ADJ F/PLT 14/15" L	
4	500662	ADLT ANGL ADJ F/PLT 16/17" R	
4	500663	ADLT ANGL ADJ F/PLT 16/17" L	
4	500664	ADLT ANGL ADJ F/PLT 18-20" R	
4	500665	ADLT ANGL ADJ F/PLT 18-20" L	

Pos.	Item Number	Description	Remarks
5	550350	3/4" CLMP ADJ FT PLT	
6	106935	NUT NYLOCK THIN 1/4-28 ROHS	
7	550576	CLAMP 2 1/4" THREADED BLK	
8	483278	FOOTREST EXT PIVOT ADJ FT/PLT	
9	107032	1/4-28 x 1 SOC C/S BLK	
10	550477	CLAMP 2 1/4" RECESS BLK	
11	483279	FOOTPLATE PIVOT 1" CLAMP	
12	106944	1/4 AN WASHER FLAT THIN	
13	106958	1/4-20 x 1 HEX C/S	
14	550823	EXT TBE MULTI-ADJ ONLY SHORT	
14	550824	EXT TBE MULTI-ADJ ONLY LONG	
15	222207	5/16-24 x 2 1/4 SH C/S BLK ZNC	
16	262114	1/4 WASHER HI COLLAR LOCK ZN	
17	202111	5/16-24 NYLOCK NUT THICK BLK	
18	550786	FOOTREST PIVOT CLAMP	
19	107016	1/4-28 x 3/4 HEX HEAD C/S BLK W/PTCH	
20	483717	HANGER SADDLE	
21	500078	INSERT D2 EXT TUBE	
3-7,9-11,16	820560	MLT ADJ F/PLT 14-15 R STR	
3-7,9-11,16	820561	MLT ADJ F/PLT 14-15 L STR	
3-7,9-11,16	820562	MLT ADJ F/PLT 16-17 R STR	
3-7,9-11,16	820563	MLT ADJ F/PLT 16-17 L STR	
3-7,9-11,16	820564	MLT ADJ F/PLT 18-20 R STR	
3-7,9-11,16	820565	MLT ADJ F/PLT 18-20 L STR	
3-7,9-11,16	820566	MLT ADJ F/PLT 21-24 R STR	
3-7,9-11,16	820567	MLT ADJ F/PLT 21-24 L STR	
1-7,9-13,16	820568	MLT ADJ F/PLT 14-15 R STR W/HL	
1-7,9-13,16	820569	MLT ADJ F/PLT 14-15 L STR W/HL	
1-7,9-13,16	820570	MLT ADJ F/PLT 16-17 R STR W/HL	
1-7,9-13,16	820571	MLT ADJ F/PLT 16-17 L STR W/HL	
1-7,9-13,16	820572	MLT ADJ F/PLT 18-20 R STR W/HL	
1-7,9-13,16	820573	MLT ADJ F/PLT 18-20 L STR W/HL	
1-7,9-13,16	820574	MLT ADJ F/PLT 21-24 R STR W/HL	
1-7,9-13,16	820575	MLT ADJ F/PLT 21-24 L STR W/HL	
3,4,7,9-11,16	820576	MLT ADJ F/PLT 14-15 R FLR	
3,4,7,9-11,16	820577	MLT ADJ F/PLT 14-15 L FLR	
3,4,7,9-11,16	820578	MLT ADJ F/PLT 16-17 R FLR	
3,4,7,9-11,16	820579	MLT ADJ F/PLT 16-17 L FLR	
3,4,7,9-11,16	820580	MLT ADJ F/PLT 18-24 R FLR	
3,4,7,9-11,16	820581	MLT ADJ F/PLT 18-24 L FLR	
1-7,9-13,16	820582	MLT ADJ F/PLT 14-15 R FLR W/HL	
1-7,9-13,16	820583	MLT ADJ F/PLT 14-15 L FLR W/HL	
1-7,9-13,16	820584	MLT ADJ F/PLT 16-17 R FLR W/HL	
1-7,9-13,16	820585	MLT ADJ F/PLT 16-17 L FLR W/HL	
1-7,9-13,16	820586	MLT ADJ F/PLT 18-24 R FLR W/HL	
1-7,9-13,16	820587	MLT ADJ F/PLT 18-24 L FLR W/HL	
3-7,9-11,16	921560	MULTI ADJ F/PLT ASSM STR 14-15	Pair
3-7,9-11,16	921561	MULTI ADJ F/PLT ASSM STR 16-17	Pair
3-7,9-11,16	921562	MULTI ADJ F/PLT ASSM STR 18-20	Pair
3-7,9-11,16	921563	MULTI ADJ F/PLT ASSM STR 21-24	Pair
1-7,9-13,16	921564	MLT ADJ F/P ASM STR 14-15 W/HL	Pair
1-7,9-13,16	921565	MLT ADJ F/P ASM STR 16-17 W/HL	Pair
1-7,9-13,16	921566	MLT ADJ F/P ASM STR 18-20 W/HL	Pair
1-7,9-13,16	921567	MLT ADJ F/P ASM STR 21-24 W/HL	Pair
3-7,9-11,16	921568	MULTI ADJ F/PLT ASSM FLR 14-15	Pair
3-7,9-11,16	921569	MULTI ADJ F/PLT ASSM FLR 16-17	Pair

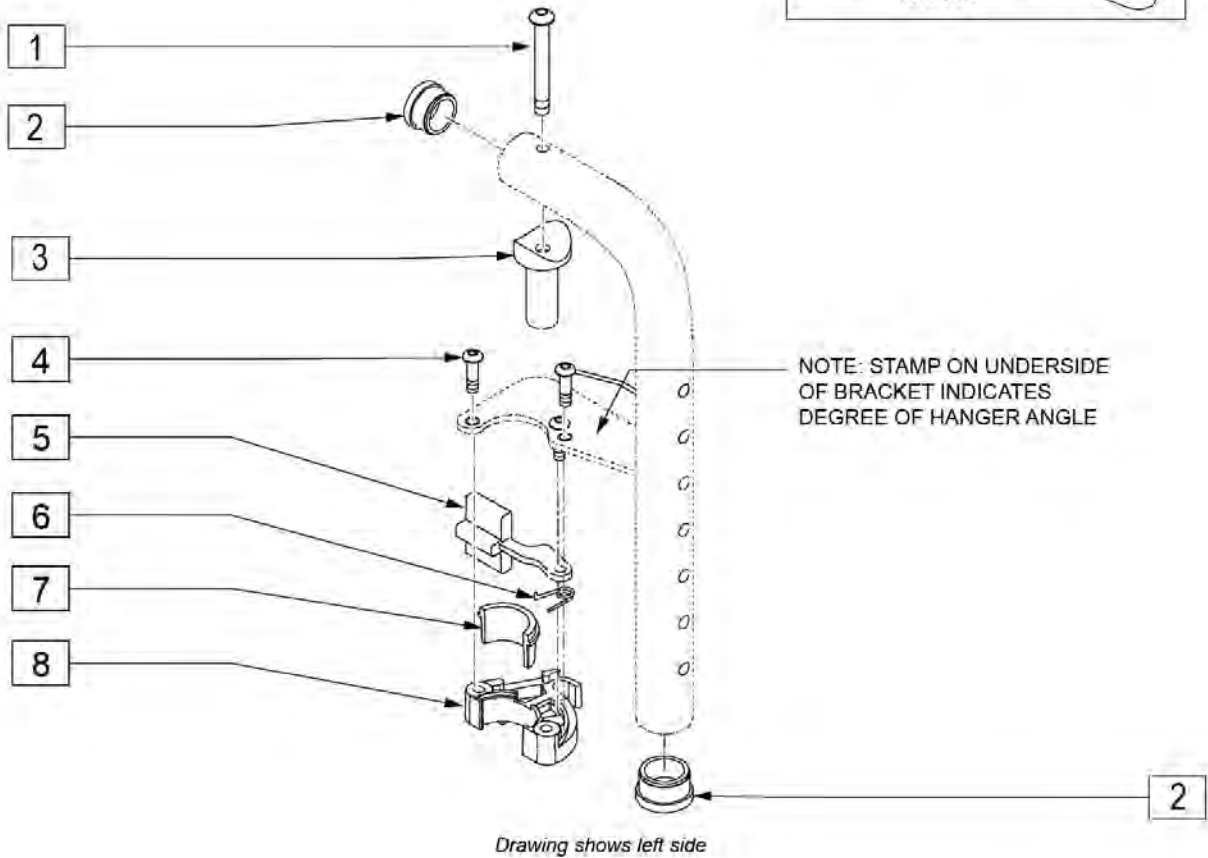
Pos.	Item Number	Description	Remarks
3-7,9-11,16	921570	MULTI ADJ F/PLT ASSM FLR 18-24	Pair
1-7,9-13,16	921571	MLT ADJ F/P ASM FLR 14-15 W/HL	Pair
1-7,9-13,16	921572	MLT ADJ F/P ASM FLR 16-17 W/HL	Pair
1-7,9-13,16	921573	MLT ADJ F/P ASM FLR 18-24 W/HL	Pair
8,14,15,17-21	921740	EXT TB MULTI-ADJ SHT ASSM PCKT	
8,14,15,17-21	921741	EXT TB MULTI-ADJ LNG ASSM PCKT	
		Ship assembled part #	Use with multiple assemblies
	ASSY-HNG-FP	HANGER/FOOTPLATE ASSY REQUIRED	add with Hanger & Footplate kit



Drawing shows left side

Pos.	Item Number	Description	Remarks
1	226291	5/16-18 X 1-1/2 BHCS BK W/PTCH	
2	561002	1" INSERT PLUG .083	
3	483603	PIVOT SADDLE MANUAL/POWER	
4	226057	10/24 X .725 BTTN HD SOC BZ	
5	561079	S/A LATCH LEVER	
6	321136	S/A SPRING L RED	Left
6	321137	S/A SPRING R CLEAR	Right
10	107491	LATCH STUD KIT	Order qty 2 when retrofitting to chair
7,9	881500	LATCH BLOCK ASSM R	Right
7,9	881501	LATCH BLOCK ASSM L	Left
1-9	641148S	HANGER 90D PNTD S/A R PWR	Specify color
1-9	641149S	HANGER 90D PNTD S/A L PWR	Specify color

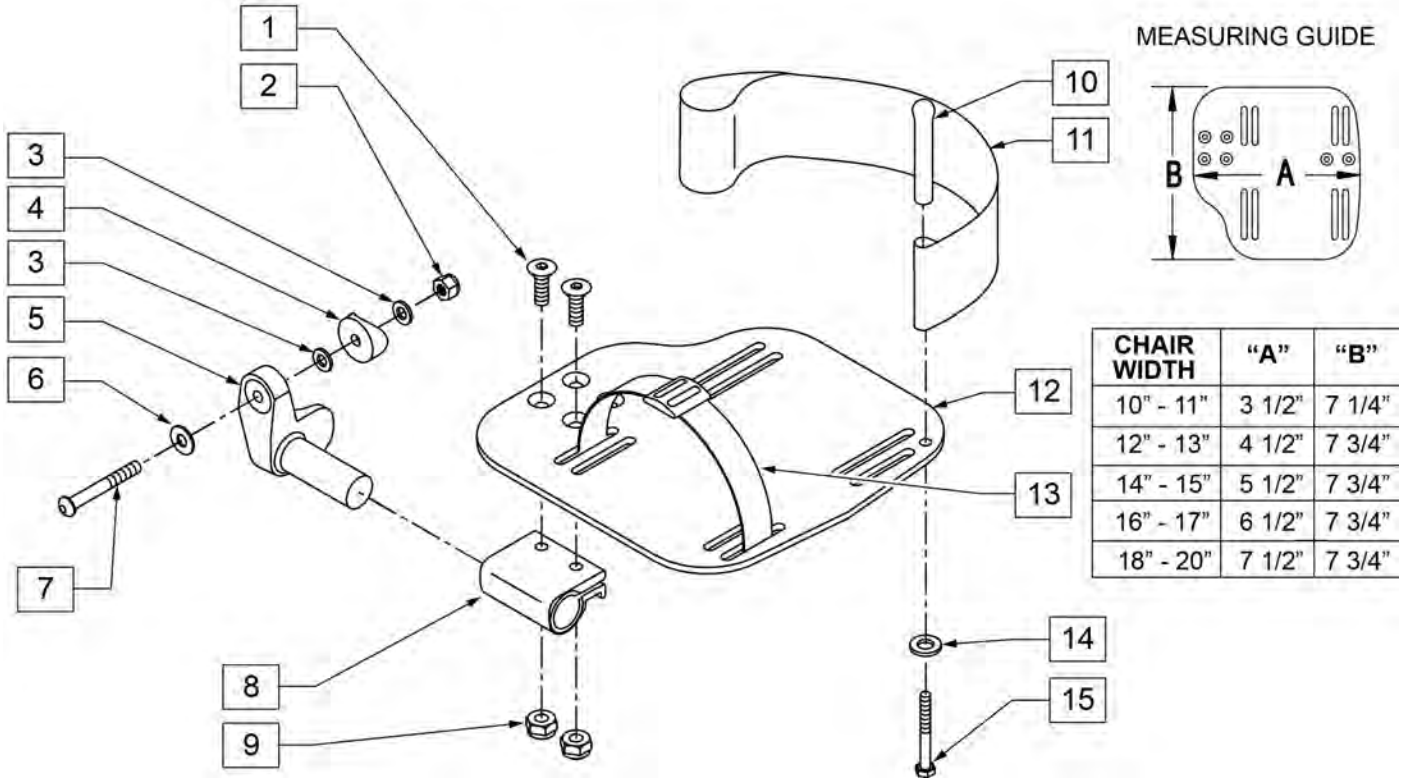
NOTE: Assembly no longer available. Replace in pairs with 90 DEG FRONT MOUNT HANGER SWING IN-OUT.



Pos.	Item Number	Description	Remarks
1	226291	5/16-18 x 1-1/2 BHCS BK W/PTCH	
2	561002	1" INSERT PLUG .083	
3	483603	PIVOT SADDLE MANUAL/POWER	
4	226057	10/24 X .725 BTTN HD SOC BZ	
5	561079	S/A LATCH LEVER	
6	321136	S/A SPRING L RED	
6	321137	S/A SPRING R CLEAR	
7,8	881500	LATCH BLOCK ASSM R	
7,8	881501	LATCH BLOCK ASSM L	
4-8	881521	S/A LATCH KIT CASTING RIGHT	
4-8	881522	S/A LATCH KIT CASTING LEFT	
9	107491	LATCH STUD KIT	Order qty 2 when retrofitting to chair

To have complete Footrest ship assembled, choose compatible Hanger + Footplate part numbers and add "ASSY-HNG-FP" to order

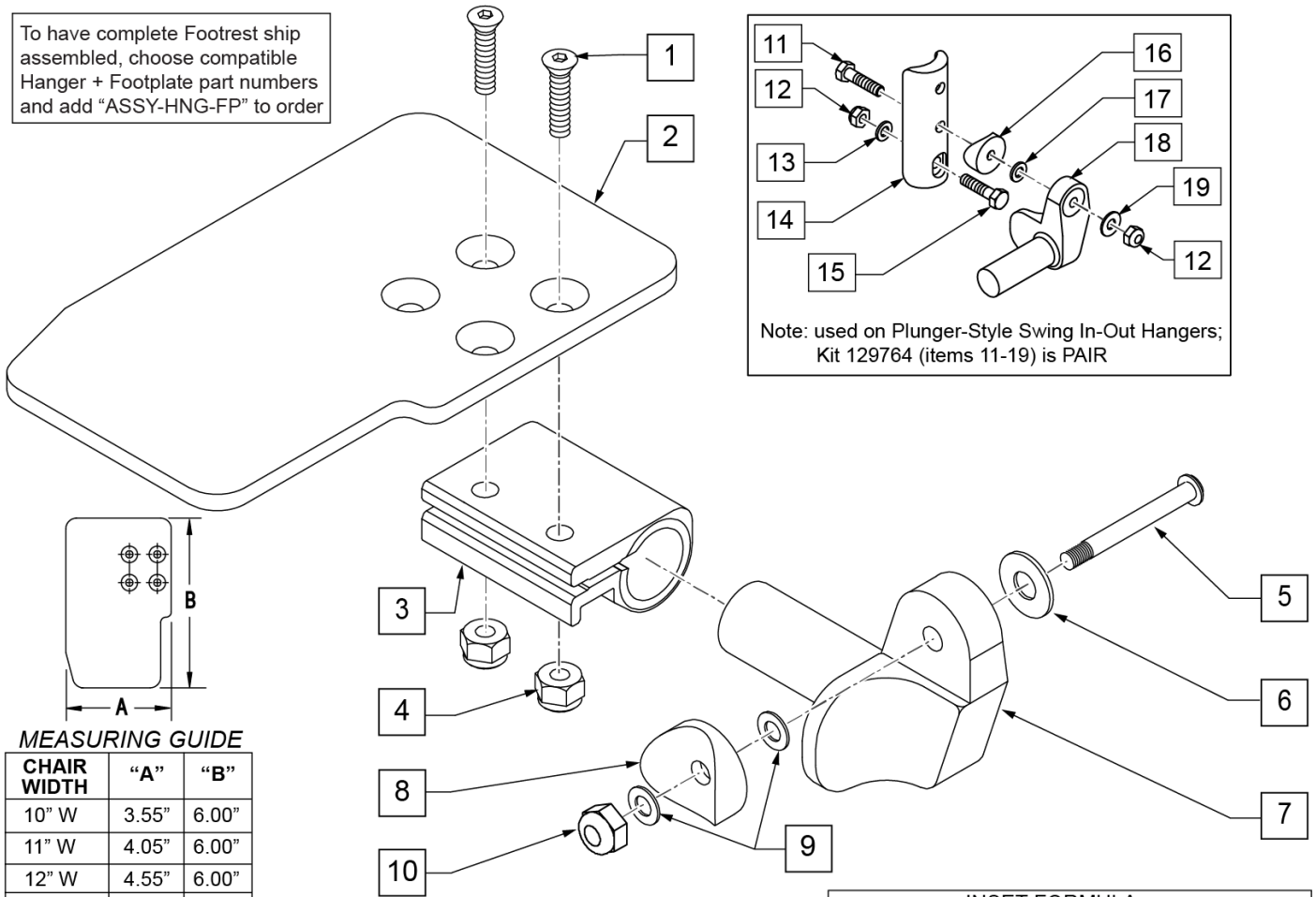
INSET FORMULA
 0" Inset (Seat Width) = Footrest Width
 1" Inset (Seat Width) - 2" = Footrest Width
 "V" Hanger (Seat Width) - 4" = Footrest Width
 Offset Hanger Receiver (Seat Width) + 2" = Footrest Width



Pos.	Item Number	Description	Remarks
1	106978	FHCS 1/4-28 X 7/8 ROHS	
2	106941	NUT AUTOMATION 1/4-28 ROHS	
3	106943	WASHER FLAT AN 1/4 ROHS	
4	561004	1" SADDLE 1/4" HOLE	
5	541000	FOOTREST MOUNTING BRKT 1/2" RAD R	RIGHT
5	541001	FOOTREST MOUNTING BRKT 1/2" RAD L	LEFT
6	106945	WASHER FLAT SAE 1/4 ROHS	
7	106964	BHCS 1/4-28 X 2	
8	550350	3/4" CLAMP ADJ FOOTPLATE	
9	106935	NUT NYLOCK THIN 1/4-28 ROHS	
10	561040	HEEL LOOP PEG	
11	741153	HEEL LOOP 18-20 CMPST/14-15 ANG ADJ	USED W/ 14-15"/16-17" ADULT ANG ADJ FTPLTS
11	741253	HEEL LOOP ADLT ADJ F/PLT 18-20	USED W/ 18 - 20" ADULT ANG ADJ FTPLTS
12	500656	ADULT ANGL ADJ F/PLT 10/11	RIGHT
12	500657	ADULT ANGL ADJ F/PLT 10/11	LEFT
12	500658	ADULT ANGL ADJ F/PLT 12/13	RIGHT
12	500659	ADULT ANGL ADJ F/PLT 12/13	LEFT
12	500660	ADULT ANGL ADJ F/PLT 14/15	RIGHT
12	500661	ADULT ANGL ADJ F/PLT 14/15	LEFT
12	500662	ADULT ANGL ADJ F/PLT 16/17	RIGHT
12	500663	ADULT ANGL ADJ F/PLT 16/17	LEFT
12	500664	ADULT ANGL ADJ F/PLT 18-20	RIGHT

Pos.	Item Number	Description	Remarks
12	500665	ADULT ANGL ADJ F/PLT 18-20	LEFT
13	740260	TOE-ANKLE STRAP ADJ ADULT FOOTPLATE	
14	106943	WASHER FLAT AN 1/4 ROHS	
15	106958	HHCS 1/4-20 X 1 ROHS	
1-9,12	820544	FP ADULT ADJ 90D 10/11 R	RIGHT
1-9,12	820554	FP ADULT ADJ 90D 10/11 L	LEFT
1-9,12	820546	FP ADULT ADJ 90D 12/13 R	RIGHT
1-9,12	820556	FP ADULT ADJ 90D 12/13 L	LEFT
1-9,12	820472	FP ADULT ADJ 90D 14/15 R	RIGHT
1-9,12	820473	FP ADULT ADJ 90D 14/15 L	LEFT
1-9,12	820474	FP ADULT ADJ 90D 16/17 R	RIGHT
1-9,12	820475	FP ADULT ADJ 90D 16/17 L	LEFT
1-9,12	820476	FP ADULT ADJ 90D 18-20 R	RIGHT
1-9,12	820477	FP ADULT ADJ 90D 18-20 L	LEFT
1-9,12	921474	ADULT ANGL ADJ 90D 10/11 OMIT H/L	PAIR
1-9,12	921476	ADULT ANGL ADJ 90D 12/13 OMIT H/L	PAIR
1-9,12	921330	ADULT ANGL ADJ 90D 14/15 OMIT H/L	PAIR
1-9,12	921331	ADULT ANGL ADJ 90D 16/17 OMIT H/L	PAIR
1-9,12	921332	ADULT ANGL ADJ 90D 18-20 OMIT H/L	PAIR
1-12,14,15	820540	F/PLT ADULT ADJ 90D 10/11 R W/ HL	RIGHT
1-12,14,15	820550	F/PLT ADULT ADJ 90D 10/11 L W/ HL	LEFT
1-12,14,15	820542	F/PLT ADULT ADJ 90D 12/13 R W/ HL	RIGHT
1-12,14,15	820552	F/PLT ADULT ADJ 90D 12/13 L W/ HL	LEFT
1-12,14,15	820478	F/PLT ADULT ADJ 90D 14/15 R W/ HL	RIGHT
1-12,14,15	820479	F/PLT ADULT ADJ 90D 14/15 L W/ HL	LEFT
1-12,14,15	820480	F/PLT ADULT ADJ 90D 16/17 R W/ HL	RIGHT
1-12,14,15	820481	F/PLT ADULT ADJ 90D 16/17 L W/ HL	LEFT
1-12,14,15	820482	F/PLT ADULT ADJ 90D 18-20 R W/ HL	RIGHT
1-12,14,15	820483	F/PLT ADULT ADJ 90D 18-20 L W/ HL	LEFT
1-12,14,15	921470	F/PLT ADULT ADJ 90D 10/11 W/ HL	PAIR
1-12,14,15	921472	F/PLT ADULT ADJ 90D 12/13 W/ HL	PAIR
1-12,14,15	921333	F/PLT ADULT ADJ 90D 14/15 W/ HL	PAIR
1-12,14,15	921334	F/PLT ADULT ADJ 90D 16/17 W/ HL	PAIR
1-12,14,15	921335	F/PLT ADULT ADJ 90D 18-20 W/ HL	PAIR
		Ship assembled part #	Use with multiple assemblies
	ASSY-HNG-FP	HANGER/FOOTPLATE ASSY REQUIRED	add with Hanger & Footplate kit

To have complete Footrest ship assembled, choose compatible Hanger + Footplate part numbers and add "ASSY-HNG-FP" to order



MEASURING GUIDE

CHAIR WIDTH	"A"	"B"
10" W	3.55"	6.00"
11" W	4.05"	6.00"
12" W	4.55"	6.00"
13" W	5.05"	6.00"
14" W	5.55"	6.00"
15" W	6.05"	6.00"
16" W	6.55"	6.00"

INSET FORMULA

0" Inset (Seat Width) = Footrest Width
 1" Inset (Seat Width) -2" = Footrest Width
 "V" Hanger (Seat Width) -4" = Footrest Width
 Offset Hanger Receiver (Seat Width) +2" = Footrest Width

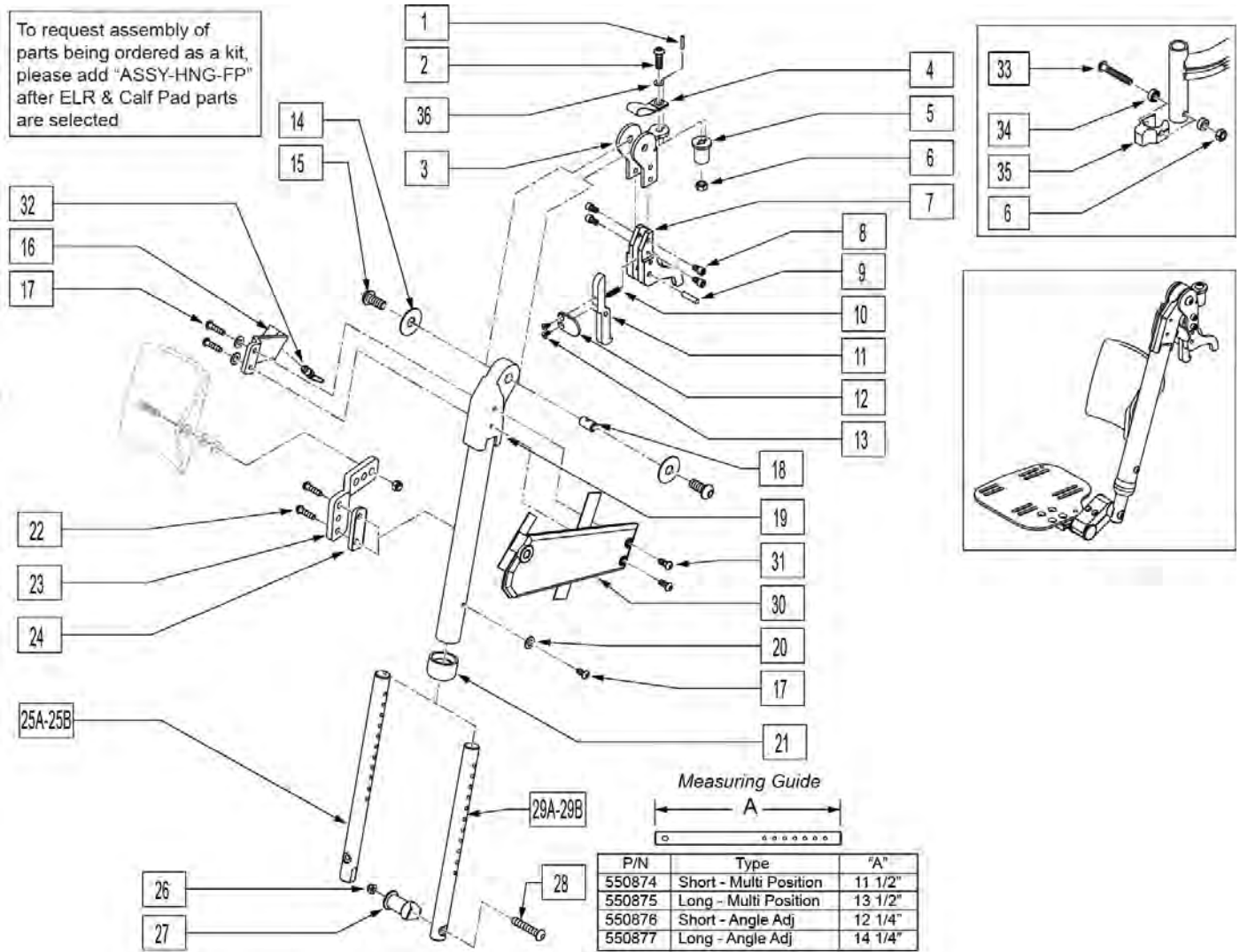
Pos.	Item Number	Description	Remarks
1	106978	FHCS 1/4-28 X 7/8 ROHS	
2	500635	KIDS ANGL ADJ F/PLT 10	RIGHT
2	500636	KIDS ANGL ADJ F/PLT 10	LEFT
2	500637	KIDS ANGL ADJ F/PLT 11	RIGHT
2	500638	KIDS ANGL ADJ F/PLT 11	LEFT
2	500639	KIDS ANGL ADJ F/PLT 12	RIGHT
2	500640	KIDS ANGL ADJ F/PLT 12	LEFT
2	500641	KIDS ANGL ADJ F/PLT 13	RIGHT
2	500642	KIDS ANGL ADJ F/PLT 13	LEFT
2	500643	KIDS ANGL ADJ F/PLT 14	RIGHT
2	500644	KIDS ANGL ADJ F/PLT 14	LEFT
2	500645	KIDS ANGL ADJ F/PLT 15	RIGHT
2	500646	KIDS ANGL ADJ F/PLT 15	LEFT
2	500647	KIDS ANGL ADJ F/PLT 16	RIGHT
2	500648	KIDS ANGL ADJ F/PLT 16	LEFT
3	550350	3/4 CLAMP ADJ FOOTPLATE	
4	106935	NUT NYLOCK THIN 1/4-28 ROHS	
5	226147	1/4-28 X 1.85 BH C/S BLK ZN	

Pos.	Item Number	Description	Remarks
6	106945	WASHER FLAT SAE 1/4 ROHS	
7	541000	FTRST MOUNTING BRKT 1/2" RAD R	RIGHT
7	541001	FTRST MOUNTING BRKT 1/2" RAD L	LEFT
8	561004	1 SADDLE 1/4 HOLE	
9	106943	WASHER FLAT THIN AN 1/4	
10	106941	NUT AUTOMATION 1/4-28 ROHS	
11	102268-001	HHCS M6 X 1 X 25	
12	132626	NUT AUTOMATION M6 X 1.0 ROHS	
13	107383	WASHER FLAT M6 ROHS	
15	118198	HHCS M6 X 1 X 40 PART NP	
16	561004	1" SADDLE 1/4" HOLE	
17	106943	WASHER FLAT AN 1/4 ROHS	
19	106945	WASHER FLAT SAE 1/4 ROHS	
1-4	158632	CAA F/PLT KIT 10 RT	RIGHT; used with Front Mount Adapter Kit on Plunger-Style Swing In/Out Hangers
1-4	158633	CAA F/PLT KIT 10 LT	LEFT; used with Front Mount Adapter Kit on Plunger-Style Swing In/Out Hangers
1-4	158634	CAA F/PLT KIT 11 RT	RIGHT; used with Front Mount Adapter Kit on Plunger-Style Swing In/Out Hangers
1-4	158635	CAA F/PLT KIT 11 LT	LEFT; used with Front Mount Adapter Kit on Plunger-Style Swing In/Out Hangers
1-4	158636	CAA F/PLT KIT 12 RT	RIGHT; used with Front Mount Adapter Kit on Plunger-Style Swing In/Out Hangers
1-4	158637	CAA F/PLT KIT 12 LT	LEFT; used with Front Mount Adapter Kit on Plunger-Style Swing In/Out Hangers
1-4	158638	CAA F/PLT KIT 13 RT	RIGHT; used with Front Mount Adapter Kit on Plunger-Style Swing In/Out Hangers
1-4	158639	CAA F/PLT KIT 13 LT	LEFT; used with Front Mount Adapter Kit on Plunger-Style Swing In/Out Hangers
1-4	158640	CAA F/PLT KIT 14 RT	RIGHT; used with Front Mount Adapter Kit on Plunger-Style Swing In/Out Hangers
1-4	158641	CAA F/PLT KIT 14 LT	LEFT; used with Front Mount Adapter Kit on Plunger-Style Swing In/Out Hangers
1-4	158642	CAA F/PLT KIT 15 RT	RIGHT; used with Front Mount Adapter Kit on Plunger-Style Swing In/Out Hangers
1-4	158643	CAA F/PLT KIT 15 LT	LEFT; used with Front Mount Adapter Kit on Plunger-Style Swing In/Out Hangers
1-4	158644	CAA F/PLT KIT 16 RT	RIGHT; used with Front Mount Adapter Kit on Plunger-Style Swing In/Out Hangers
1-4	158645	CAA F/PLT KIT 16 LT	LEFT; used with Front Mount Adapter Kit on Plunger-Style Swing In/Out Hangers
1-10	828821	KIDS ANG ADJ F/PLT ASSM 10	RIGHT; used with Old-Style Latch Block Swing In/Out & S/A Hangers
1-10	828822	KIDS ANG ADJ F/PLT ASSM 10	LEFT; used with Old-Style Latch Block Swing In/Out & S/A Hangers
1-10	828823	KIDS ANG ADJ F/PLT ASSM 11	RIGHT; used with Old-Style Latch Block Swing In/Out & S/A Hangers
1-10	828824	KIDS ANG ADJ F/PLT ASSM 11	LEFT; used with Old-Style Latch Block Swing In/Out & S/A Hangers
1-10	828825	KIDS ANG ADJ F/PLT ASSM 12	RIGHT; used with Old-Style Latch Block Swing In/Out & S/A Hangers
1-10	828826	KIDS ANG ADJ F/PLT ASSM 12	LEFT; used with Old-Style Latch Block Swing In/Out & S/A Hangers
1-10	828827	KIDS ANG ADJ F/PLT ASSM 13	RIGHT; used with Old-Style Latch Block Swing In/Out & S/A Hangers
1-10	828828	KIDS ANG ADJ F/PLT ASSM 13	LEFT; used with Old-Style Latch Block Swing In/Out & S/A Hangers
1-10	828829	KIDS ANG ADJ F/PLT ASSM 14	RIGHT; used with Old-Style Latch Block Swing In/Out & S/A Hangers
1-10	828830	KIDS ANG ADJ F/PLT ASSM 14	LEFT; used with Old-Style Latch Block Swing In/Out & S/A Hangers
1-10	828831	KIDS ANG ADJ F/PLT ASSM 15	RIGHT; used with Old-Style Latch Block Swing In/Out & S/A Hangers
1-10	828832	KIDS ANG ADJ F/PLT ASSM 15	LEFT; used with Old-Style Latch Block Swing In/Out & S/A Hangers

Pos.	Item Number	Description	Remarks
1-10	828833	KIDS ANG ADJ F/PLT ASSM 16	RIGHT; used with Old-Style Latch Block Swing In/Out & S/A Hangers
1-10	828834	KIDS ANG ADJ F/PLT ASSM 16	LEFT; used with Old-Style Latch Block Swing In/Out & S/A Hangers
1-10	921226	KIDS ANG ADJ F/PLT ASSM 10	PAIR; used with Old-Style Latch Block Swing In/Out & S/A Hangers
1-10	921227	KIDS ANG ADJ F/PLT ASSM 11	PAIR; used with Old-Style Latch Block Swing In/Out & S/A Hangers
1-10	921228	KIDS ANG ADJ F/PLT ASSM 12	PAIR; used with Old-Style Latch Block Swing In/Out & S/A Hangers
1-10	921229	KIDS ANG ADJ F/PLT ASSM 13	PAIR; used with Old-Style Latch Block Swing In/Out & S/A Hangers
1-10	921230	KIDS ANG ADJ F/PLT ASSM 14	PAIR; used with Old-Style Latch Block Swing In/Out & S/A Hangers
1-10	921231	KIDS ANG ADJ F/PLT ASSM 15	PAIR; used with Old-Style Latch Block Swing In/Out & S/A Hangers
1-10	921232	KIDS ANG ADJ F/PLT ASSM 16	PAIR; used with Old-Style Latch Block Swing In/Out & S/A Hangers
11-19	129764	AAA FRNT MNT ADAPTER KIT PR	AAA FRNT MNT fits both Kids and Adult Angle Adjustable Footplates
		Ship assembled part #	Use with multiple assemblies
	ASSY-HNG-FP	HANGER/FOOTPLATE ASSY REQUIRED	add with Hanger & Footplate kit

Note: effective 4/21/03 - beginning S64-034729.

Note: for footplate see MULTI-POSITION POWER LIFT OFF ELR/ALR FOOTPLATE page.



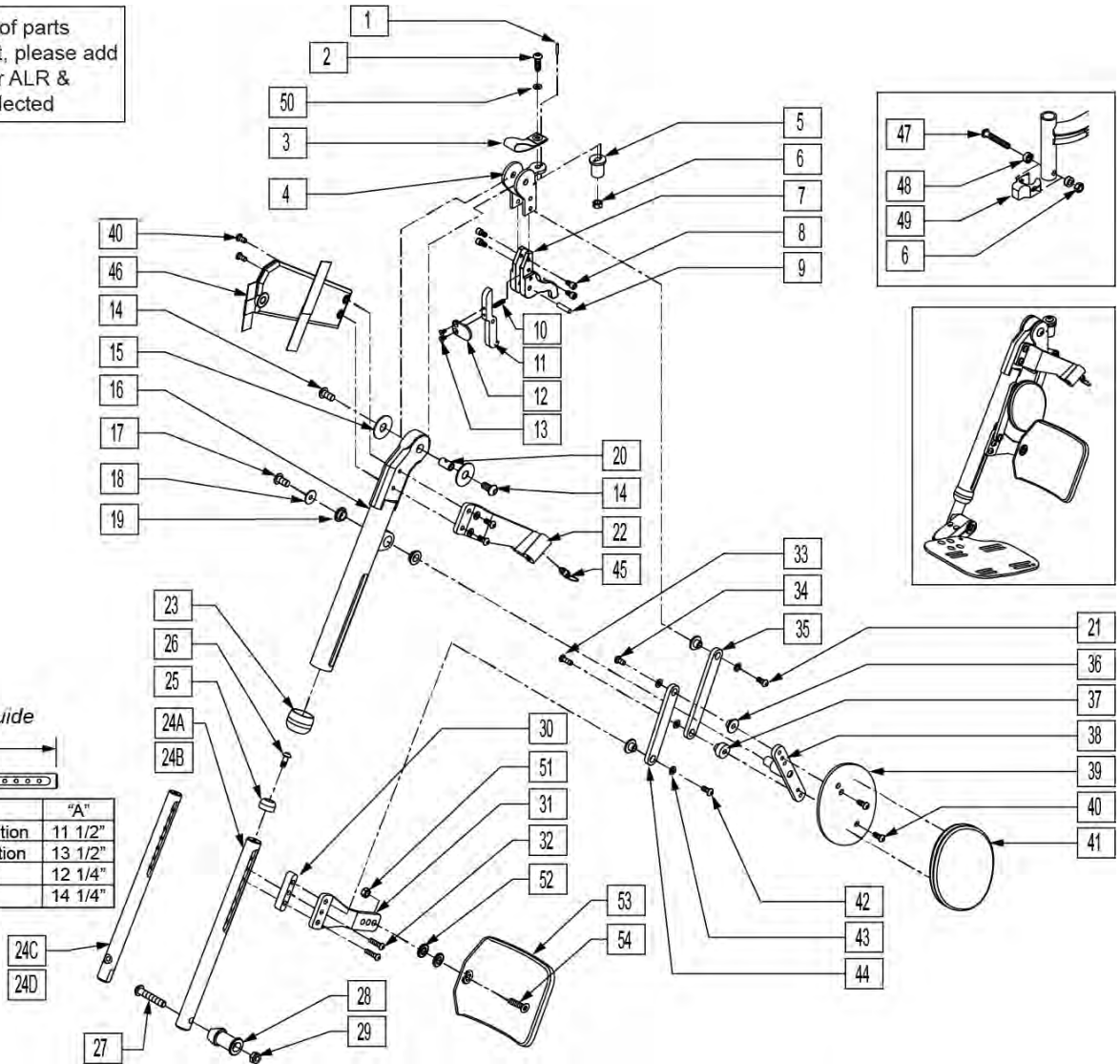
Pos.	Item Number	Description	Remarks
1	341091	1/8 x 3/4 ARMREST SPRING PIN	
2	226176	5/16-18 x 1 1/2 BH C/S BLK	
3	505983	BRKT HANGER POWER QR	
4	695040	DS LIFT LANYARD	
5	481468	PIVOT PLUG	
6	202116	5/16-18 NYLOCK NUT THIN BLK	
7	505990	BLOCK, CAPTURE, HNGR, PWR	
8	226339	1/4-20 x 7/16 SHCS BLK W/PATCH	
9	341200	1/4 x 1 ROLL PIN	
10	321787	SPRING COMP RELEASE LEVER	

Pos.	Item Number	Description	Remarks
11	505918	LEVER RELEASE HANGER POWER	
12	505994	PADDLE RELEASE HANGER POWER	
13	226006	8-32 x 3/8 FH C/S BLK	
14	261537	FOOTREST WASHER	
15	226271	3/8-16 x 1/2 BH CS BLK ZN	
16	541047	LEGREST ARM WELDMENT R/H	
16	541048	LEGREST ARM WELDMENT L/H	
17	226332	1/4-20 x 7/8 BH C/S BLK W/PTCH	
18	481469	LEGREST BOSS	
19	542118	ELR ADJUSTMENT TUBE WLDMT R	
19	542119	ELR ADJUSTMENT TUBE WLDMT L	
20	106943	WASHER FLAT AN 1/4 ROHS	
21	560792	END CAP FOOTREST RAIL S626	
22	226060	1/4-20 x 3/8 BH C/S W/PATCH	
23	550081	CALF PAD MOUNT	
24	542116	FOOTREST SADDLE 1.25"	
25	550876	ELR EXT ROD SHT PWR-ANG ADJ	
25A	550877	ELR EXT ROD LNG PWR-ANG ADJ	
26	202116	5/16-18 NYLOCK NUT THIN BLK	
27	483113	FOOTREST MOUNT LOWER S626	
28	226217	5/16-18 x 2" BH C/S BLK	
29	550874	ELR EXT ROD SHT PWR-MULTI POS	
29A	550875	ELR EXT ROD LNG PWR-MULTI POS	
30	750192	LEGREST ARM COVER R	
30	750193	LEGREST ARM COVER L	
31	226060	1/4-20 x 3/8 BH C/S W/PATCH	
32	889030	LEGREST PULL PIN ASSM	
33	226217	5/16-18 X 2" BH C/S BLK	
34	505831	SPACER CAM	
35	500526	BLOCK LOCATOR HNGER PWR	
36	561016	1" WASHER 5/16" HOLE	
11-13	887970	LEVER RELEASE HANGER ASSM RH	
11-13	887971	LEVER RELEASE HANGER ASSM LH	
6,33-36	920053	HANGER LOCATOR ASSM W/HDWR	
1-13,18	887984	ELR HANGER MOUNT ASSM R	
1-13,18	887985	ELR HANGER MOUNT ASSM L	
1-24,30-32	641532	HANGER POWER ELR R SS	
1-24,30-32	641533	HANGER POWER ELR L SS	
1-13,18,33-36	884104	HANGER POWER ELR R UPGRD	
1-13,18,33-36	884105	HANGER POWER ELR L UPGRD	
26-29	921954	ELR PWR EXT ROD SHT ASSM M/POS	
26-28,29A	921955	ELR PWR EXT ROD LNG ASSM M/POS	
1-13,18,33-36	924057	HANGER POWER ALR UPGRD	(PR)
		Ship assembled part #	Use with multiple assemblies
	ASSY-HNG-FP	HANGER/FOOTPLATE ASSY REQUIRED	add with Hanger & Footplate kit

NOTE: effective 4/21/03 - beginning S64-034729

NOTE: for footplate see MULTI-POSITION POWER LIFT OFF ELR/ALR FOOTPLATE page.

To request assembly of parts being ordered as a kit, please add "ASSY-HNG-FP" after ALR & Calf Pad parts are selected

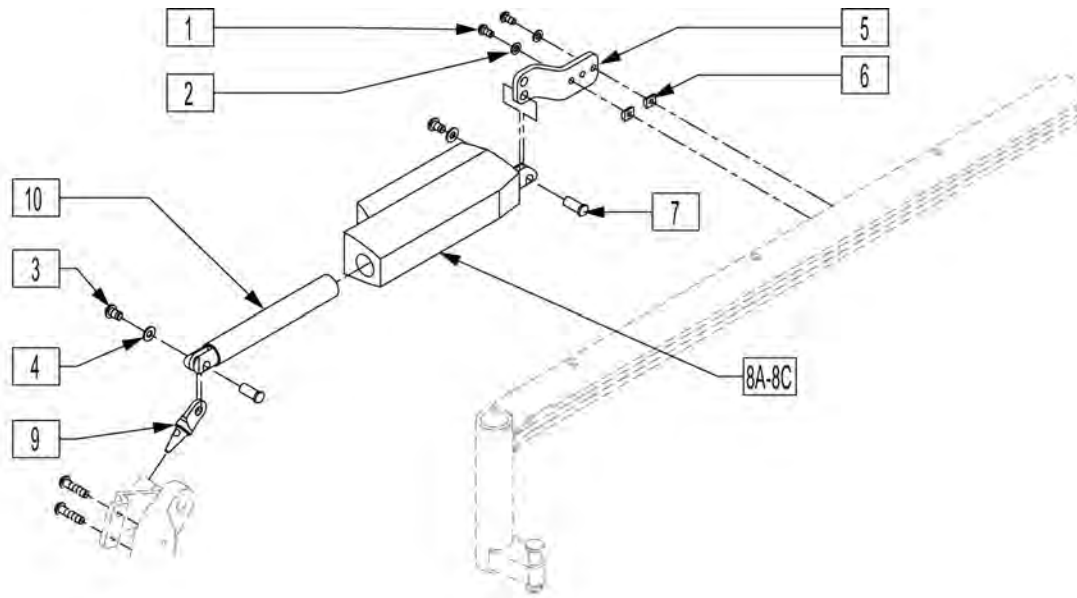


Pos.	Item Number	Description	Remarks
1	341091	1/8 x 3/4 ARMREST SPRING PIN	
2	226176	5/16-18 x 1 1/2 BH C/S BLK	
3	695040	DS LIFT LANYARD	
4	505983	BRKT HANGER POWER QR	
5	481468	PIVOT PLUG	
6	202116	5/16-18 NYLOCK NUT THIN BLK	
7	505990	BLOCK, CAPTURE, HNGR, PWR	
8	226339	1/4-20 x 7/16 SHCS BLK W/PATCH	
9	341200	1/4 x 1 ROLL PIN	

Pos.	Item Number	Description	Remarks
10	321787	SPRING COMP RELEASE LEVER	
11	505918	LEVER RELEASE HANGER POWER	
12	505994	PADDLE RELEASE HANGER POWER	
13	226006	8-32 x 3/8 FH C/S BLK	
14	226271	3/8-16 x 1/2 BH C/S BLK ZN	
15	261537	FOOTREST WASHER	
16	542510	FTRST RAIL FRT UPPER R WLDMT	
16	542511	FTRST RAIL FRT UPPER L WLDMT	
17	226069-QU	1/4-20 x 1/2 BH C/S BLK	
18	261209	1/4 x 7/8 OD FENDER WASHER ZNC	
19	349596	BEARING IGUS 1/2 x 5/8 x 1/4	
20	481469	LEGREST BOSS	
21	226078	1/4-20 x 3/4 BH C/S W/PTCH BLK	
22	541047	LEGREST ARM WELDMENT R/H	
22	541048	LEGREST ARM WELDMENT L/H	
23	560792	END CAP FOOTREST RAIL S626	
24A	550870	ALR EXT ROD SHT PWR-MULTI POS	
24B	550871	ALR EXT ROD LNG PWR-MULTI POS	
24C	550872	ALR EXT ROD SHT PWR-ANG ADJ	
24D	550873	ALR EXT ROD LNG PWR-ANG ADJ	
25	562773	END CAP INNER	
26	226091	1/4-20 x 5/8 BH C/S	
27	226217	5/16-18 x 2" BH C/S BLK	
28	483113	FOOTREST MOUNT LOWER S626	
29	202117	5/16-18 NYLOCK NUT THICK BLK	
30	562772	FOOTREST SLIDE SPACE	
31	550081	CALF PAD MOUNT	
32	221117	1/4-20 x 1-1/4 BH C/S W/PATCH	
33	226332	1/4-20 x 7/8 BH C/S BLK W/PTCH	
34	226333	1/4-20 x 5/8 BH C/S BLK W/PTCH	
35	505616	FOOTREST PULL LINK	
36	481278	FOOTREST LINK BUSHING	
37	481547	FOOTREST LINK BUSHING LONG	
38	541017	FOOTREST MID LINK WLDMT	
39	502272	LEGREST KNEE PAD PLATE	
40	226060	1/4-20 x 3/8 BH C/S W/PATCH	
41	680075	COVER LEGREST PINCH POINT	
42	221118	1/4-20 x 1-5/8 BHCS BLK W/PTCH	
43	106943	WASHER FLAT AN 1/4 ROHS	
44	505595	FOOTREST LONG LINK	
45	889030	LEGREST PULL PIN ASSM	
46	750192	LEGREST ARM COVER R	
46	750193	LEGREST ARM COVER L	
47	226217	5/16-18 X 2" BH C/S BLK	
48	505831	SPACER CAM	
49	500526	BLOCK LOCATOR HANGER PWR	
50	561016	1" WASHER 5/16" HOLE	
51	202116	5/16-18 NYLOCK NUT THIN BLK	
52	561016	1" WASHER 5/16" HOLE	
53	755012	CALF PAD TROUGH STYLE 17-20"	
53	755014	CALF PAD TROUGH STYLE 14/16	
54	226248	5/16-18 x 1 1/4" FH C/S BLK	
11-13	887970	LEVER RELEASE HANGER ASSM RH	
11-13	887971	LEVER RELEASE HANGER ASSM LH	
1-23,33-46	641530	HANGER POWER ALR R SS	
1-23,33-46	641531	HANGER POWER ALR L SS	

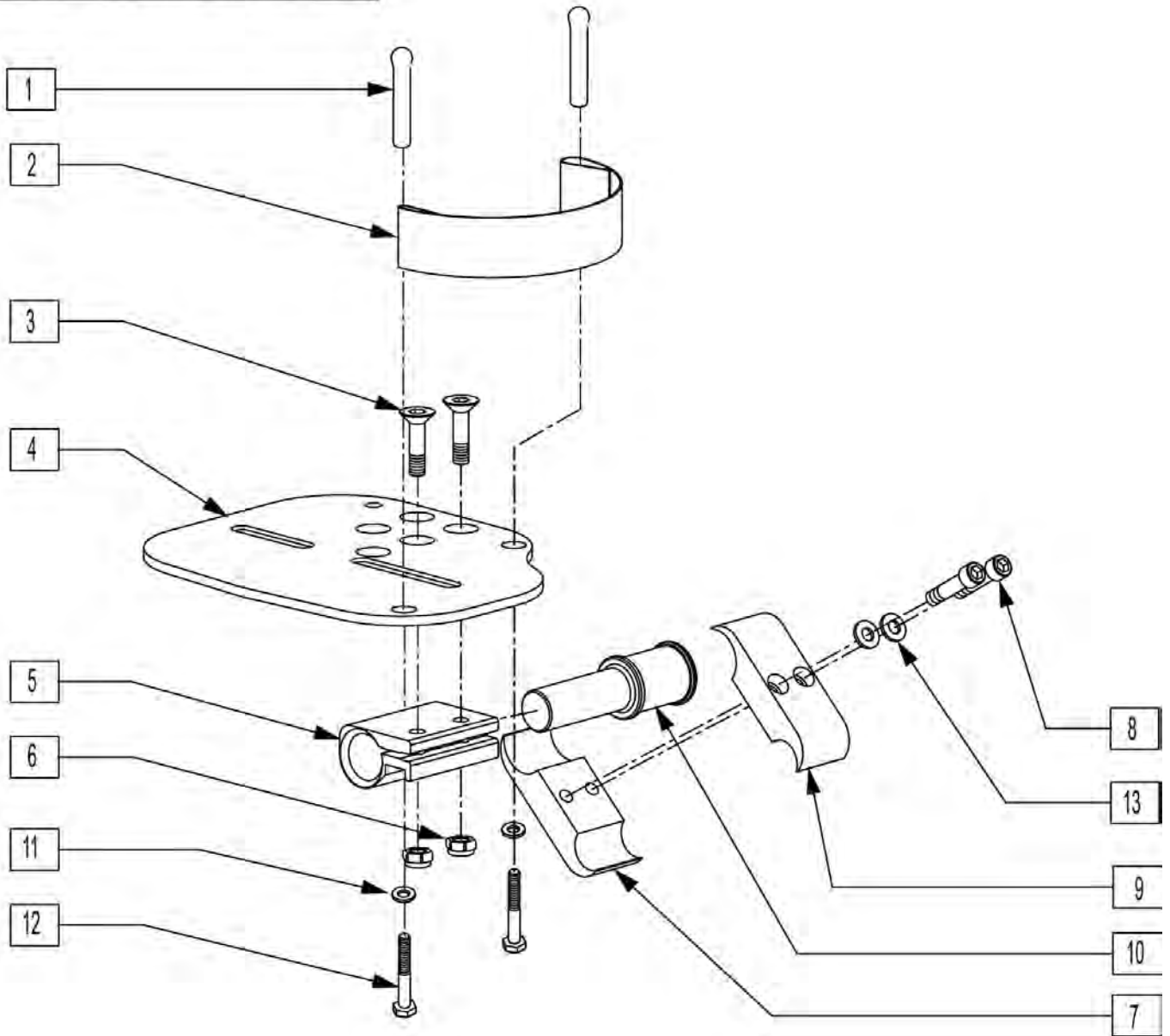
Pos.	Item Number	Description	Remarks
24A,25-32	921950	ALR PWR EXT ROD SHT ASSM M/POS	
24B,25-32	921951	ALR PWR EXT ROD LNG ASSM M/POS	
24C,25-32	921952	ALR PWR EXT ROD SHT ASSM ANGLE	
24D,25-32	921953	ALR PWR EXT ROD LNG ASSM ANGLE	
1-13,20,47-49	924057	HANGER POWER ALR UPGRADE	
6,47-49	920053	HANGER LOCATOR ASSM W/HDWR	
		Ship assembled part #	Use with multiple assemblies
	ASSY-HNG-FP	HANGER/FOOTPLATE ASSY REQUIRED	add with Hanger & Footplate kit

Note: effective on chairs with serial number prefix S63A.



Pos.	Item Number	Description	Remarks
1	221091	1/4-28 x 1/2 BH C/S BLK W/PTCH	
2	106943	WASHER FLAT AN 1/4 ROHS	
3	226236	5/16-18 x 1/2 B/H C/S BLK	
4	263100	5/16 AN WASHER FLAT	
5	542550	REAR ACT MOUNT WLDMNT	
6	481106-QU	1/4-28 CHANNEL NUT	
7	505615	ACT LINK PIN	
8A,10	012037	ACT LINAK LA-12 0 DEG CLEVIS	(16"/17"W LONG SEAT FRAME)
8B,10	116290	ACT LINAK LA-12 25 DEG CLEVIS	(18"W LONG SEAT FRAME, RIGHT SIDE)
8B,10	116291	ACT LINAK LA-12 15 DEG CLEVIS	(18"W LONG SEAT FRAME, LEFT SIDE)
8C,10	012038	ACT LINAK LA-12 90D CLVS DLPHI	(16"-24" WIDE STANDARD SEAT FRAME, 19"-24" WIDE LONG SEAT FRAME)
9	505618	PUSH ARM PIN	
10	526406	LA12 TUBE ALUMINUM	

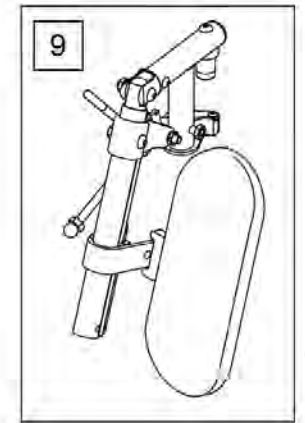
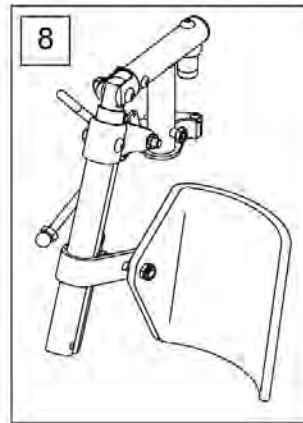
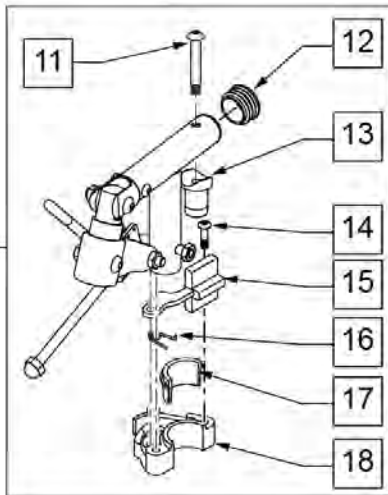
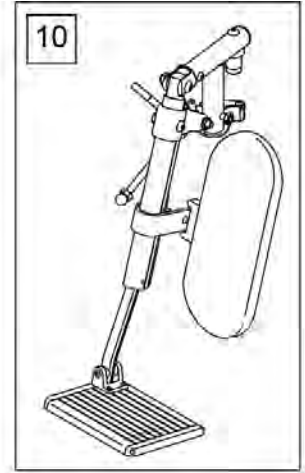
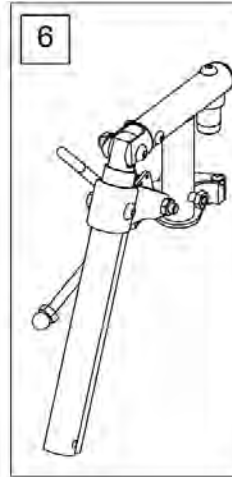
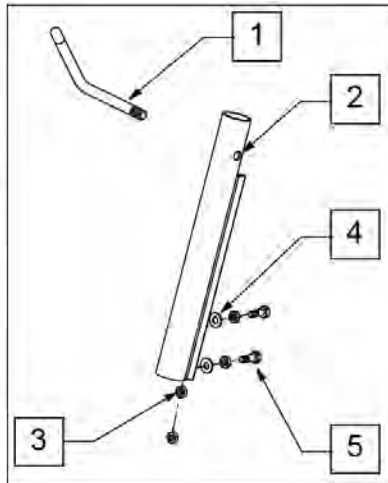
To have complete Footrest ship assembled, choose compatible Hanger + Footplate part numbers and add "ASSY-HNG-FP" to order



Pos.	Item Number	Description	Remarks
1	561040	HEEL LOOP PEG	
2	741130	HEEL LOOP 14-15 MULTI PSTN	
2	741131	HEEL LOOP 16-17 MULTI PSTN	
2	741132	HEEL LOOP 18-20 MULTI PSTN	
2	741151	HEEL LOOP 14-15 CMPST	
2	741170	HEEL LOOP P300	
3	106978	1/4-28 X 7/8 FH C/S	
4	500658	ADLT ANGL ADJ F/PLT 12/13" R	

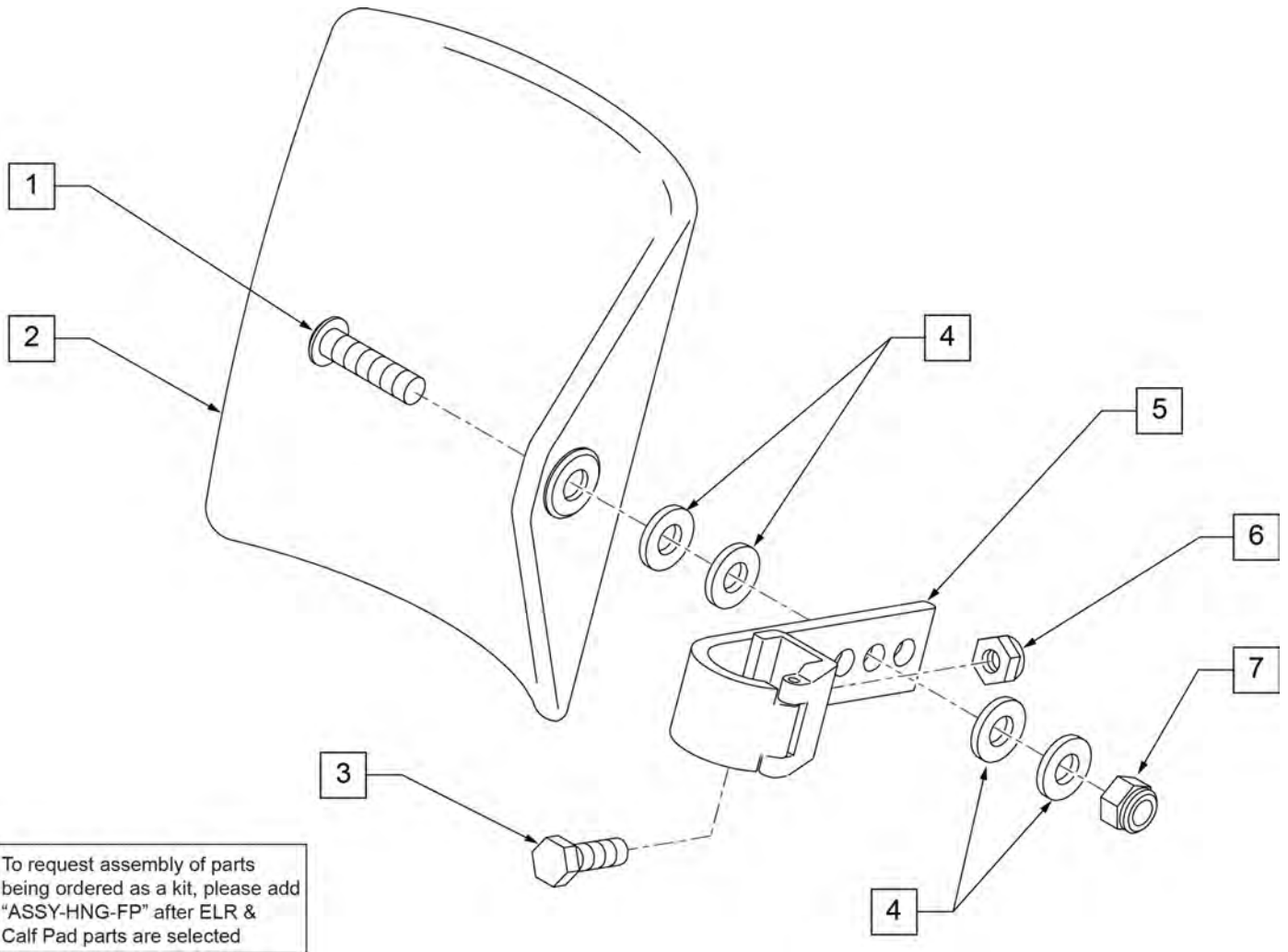
Pos.	Item Number	Description	Remarks
4	500659	ADLT ANGL ADJ F/PLT 12/13" L	
4	500660	ADLT ANGL ADJ F/PLT 14/15" R	
4	500661	ADLT ANGL ADJ F/PLT 14/15" L	
4	500662	ADLT ANGL ADJ F/PLT 16/17" R	
4	500663	ADLT ANGL ADJ F/PLT 16/17" L	
4	500664	ADLT ANGL ADJ F/PLT 18-20" R	
4	500665	ADLT ANGL ADJ F/PLT 18-20" L	
5	550350	3/4" CLMP ADJ FT PLT	
6	106935	NUT NYLOCK THIN 1/4-28 ROHS	
7	550576	CLAMP 2 1/4" THREADED BLK	
8	107032	1/4-28 x 1 SOC C/S BLK	
9	550477	CLAMP 2 1/4" RECESS BLK	
10	483279	FOOTPLATE PIVOT 1" CLAMP	
11	106944	1/4 AN WASHER FLAT THIN	
12	106958	1/4-20 x 1 HEX C/S	
13	262114	1/4 WASHER HI COLLAR LOCK ZN	
1-13	921564	MLT ADJ F/P ASM STR 14-15 W/HL	Pair
1-13	921565	MLT ADJ F/P ASM STR 16-17 W/HL	Pair
1-13	921566	MLT ADJ F/P ASM STR 18-20 W/HL	Pair
1-13	921567	MLT ADJ F/P ASM STR 21-24 W/HL	Pair
		Ship assembled part #	Use with multiple assemblies
	ASSY-HNG-FP	HANGER/FOOTPLATE ASSY REQUIRED	add with Hanger & Footplate kit

To request assembly of parts being ordered as a kit, please add "ASSY-HNG-FP" after ELR & Calf Pad parts are selected

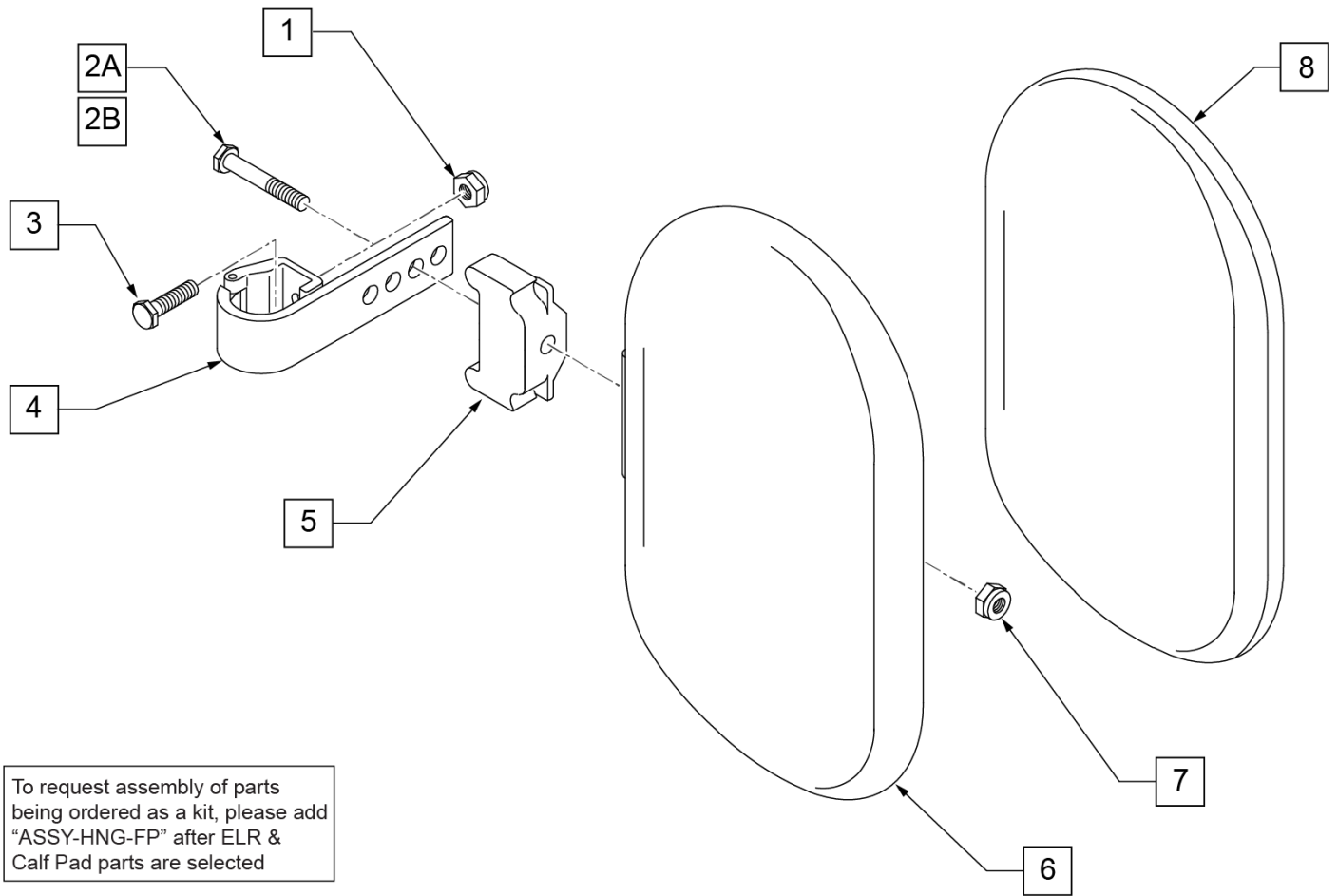


Pos.	Item Number	Description	Remarks
1	882409	ELR ACTUATION ARM ASSM S525	
2	550722S	ELR ADJUSTMENT TUBE	
3	201112	1/4-28 NUT THIN	
4	106944	1/4 AN WASHER FLAT THIN	
5	107014	1/4-28 x 3/4 HEX C/S	
6	641454S	ELR HNGR W/O PAD PNTD R PWR	
6	641455S	ELR HNGR W/O PAD PNTD L PWR	
7	882232	PWR ELR RIGHT W/O EXT TBE ASSM	
7	882231	PWR ELR LFT W/O EXT TBE ASSM	
8	923096S	ELR HNGR ASSM 14-15" W/PD G424	
9	923097S	ELR HNGR ASSM 16-17" W/PD G424	
9	923098S	ELR HNGR ASSM 18-24" W/PD G424	
10	923147S	ELR 16" MED EXT (PR)	ELR with Calf Pad, Extension Tube & Footplate
10	923148S	ELR 18-20 MED EXT (PR)	ELR with Calf Pad, Extension Tube & Footplate
11	226217	5/16 -18 X 2 BH C/S BLK	
12	561062	1" INSERT PLUG .065 RIBS	
13	561197	PLASTIC PIVOT SADDLE	
14	226057	10/24 x .725 BTTN HD SOC BZ	
15	561079	S/A LATCH LEVER	

Pos.	Item Number	Description	Remarks
16	321136	S/A SPRING L RED	LEFT
16	321137	S/A SPRING R CLR	RIGHT
17,18	881500	LATCH BLOCK ASSM R	RIGHT
17,18	881501	LATCH BLOCK ASSM L	LEFT
19	107491	LATCH STUD KIT	Order qty2 when retrofitting to chair
		Ship assembled part #	Use with multiple assemblies
	ASSY-HNG-FP	HANGER/FOOTPLATE ASSY REQUIRED	add with Hanger & Footplate kit



Pos.	Item Number	Description	Remarks
1	106980	BHCS 5/16-18 X 1-1/4 ROHS	
2	755014	CALF PAD TROUGH STYLE 14"/16"	
3	221097	1/4-28 X 5/8 HEX C/S BZ	
4	561016	1" WASHER 5/16" HOLE	
5	881413	CALF PAD BRACKET ASSEMBLY	
6	106934	NUT NYLOCK 1/4-28 ROHS	
7	106937	NUT NYLOCK THIN 5/16-18	
1-7	881414	CALF PAD J-HOOK 14"-15" ASSEMBLY	
		Ship assembled part #	Use with multiple assemblies
	ASSY-HNG-FP	HANGER/FOOTPLATE ASSY REQUIRED	add with Hanger & Footplate kit



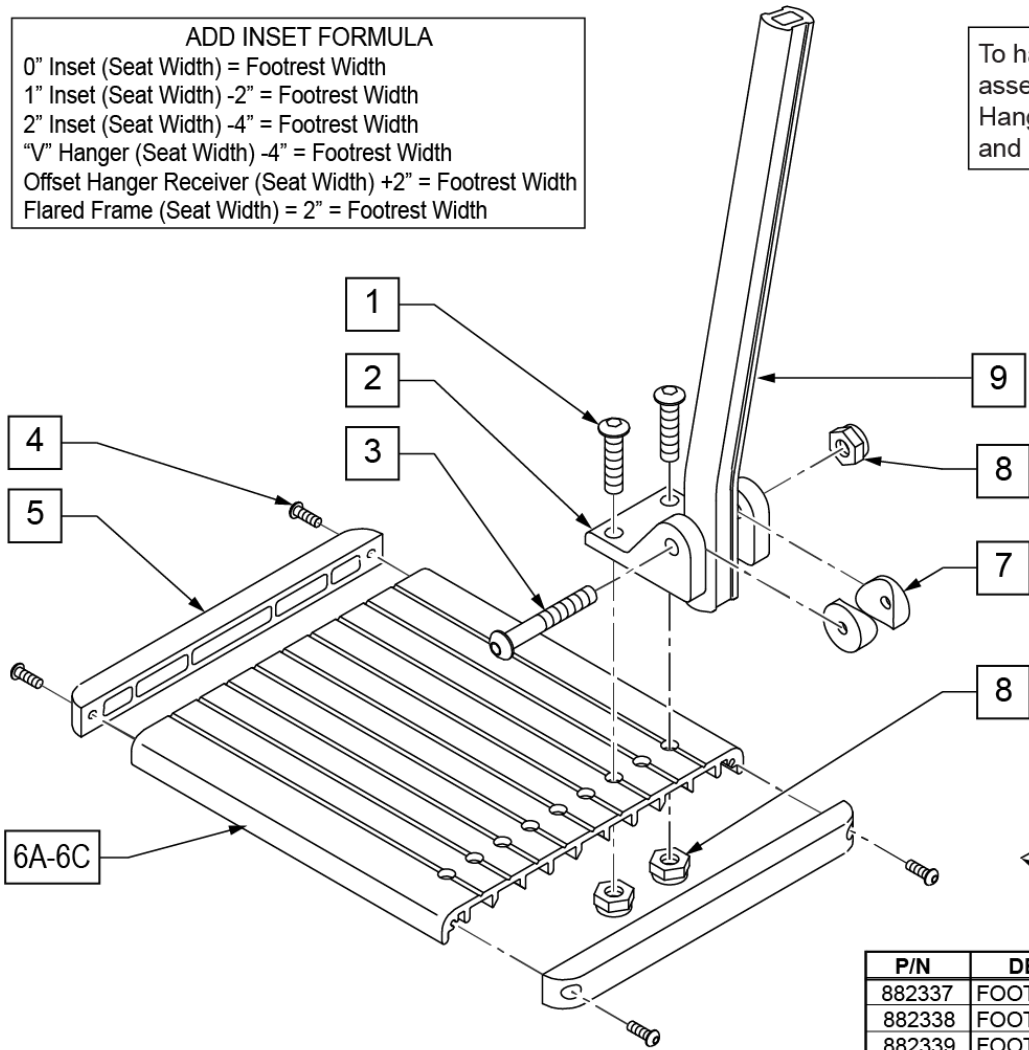
To request assembly of parts being ordered as a kit, please add "ASSY-HNG-FP" after ELR & Calf Pad parts are selected

Pos.	Item Number	Description	Remarks
1	106934	NUT NYLOCK 1/4-28 ROHS	
2A	107018	HHCS 5/16-18 X 2-1/2 ROHS	16"-17" wide only
2B	107019	HHCS 5/16-18 X 3-1/2 ROHS	18"-20" wide only
3	107013	HHCS 1/4-28 X 5/8 ROHS	
4	881413	CALF PAD BRACKET ASSEMBLY	
5	560199	ELR CALF HINGE SPACER	18"-20" wide only
6	560108	CALF PAD MOLDED 16"-20"	
7	106936	NUT NYLOCK 5/16-18 ROHS	
8	751045	CALF PAD COVER	
1,2A,3,4,6-8	881416	CALF MOLDED 16"-17" ASSEMBLY	
1,2B,3-7,8	881412	CALF PAD MOLDED 18"-20" ASSEMBLY	
		Ship assembled part #	Use with multiple assemblies
	ASSY-HNG-FP	HANGER/FOOTPLATE ASSY REQUIRED	add with Hanger & Footplate kit

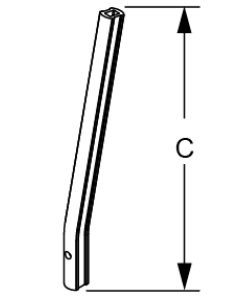
NOTE: Left Side Shown

ADD INSET FORMULA
 0" Inset (Seat Width) = Footrest Width
 1" Inset (Seat Width) - 2" = Footrest Width
 2" Inset (Seat Width) - 4" = Footrest Width
 "V" Hanger (Seat Width) - 4" = Footrest Width
 Offset Hanger Receiver (Seat Width) + 2" = Footrest Width
 Flared Frame (Seat Width) = 2" = Footrest Width

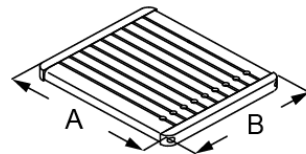
To have complete Footrest ship assembled, choose compatible Hanger + Footplate part numbers and add "ASSY-HNG-FP" to order



MEASURING GUIDE

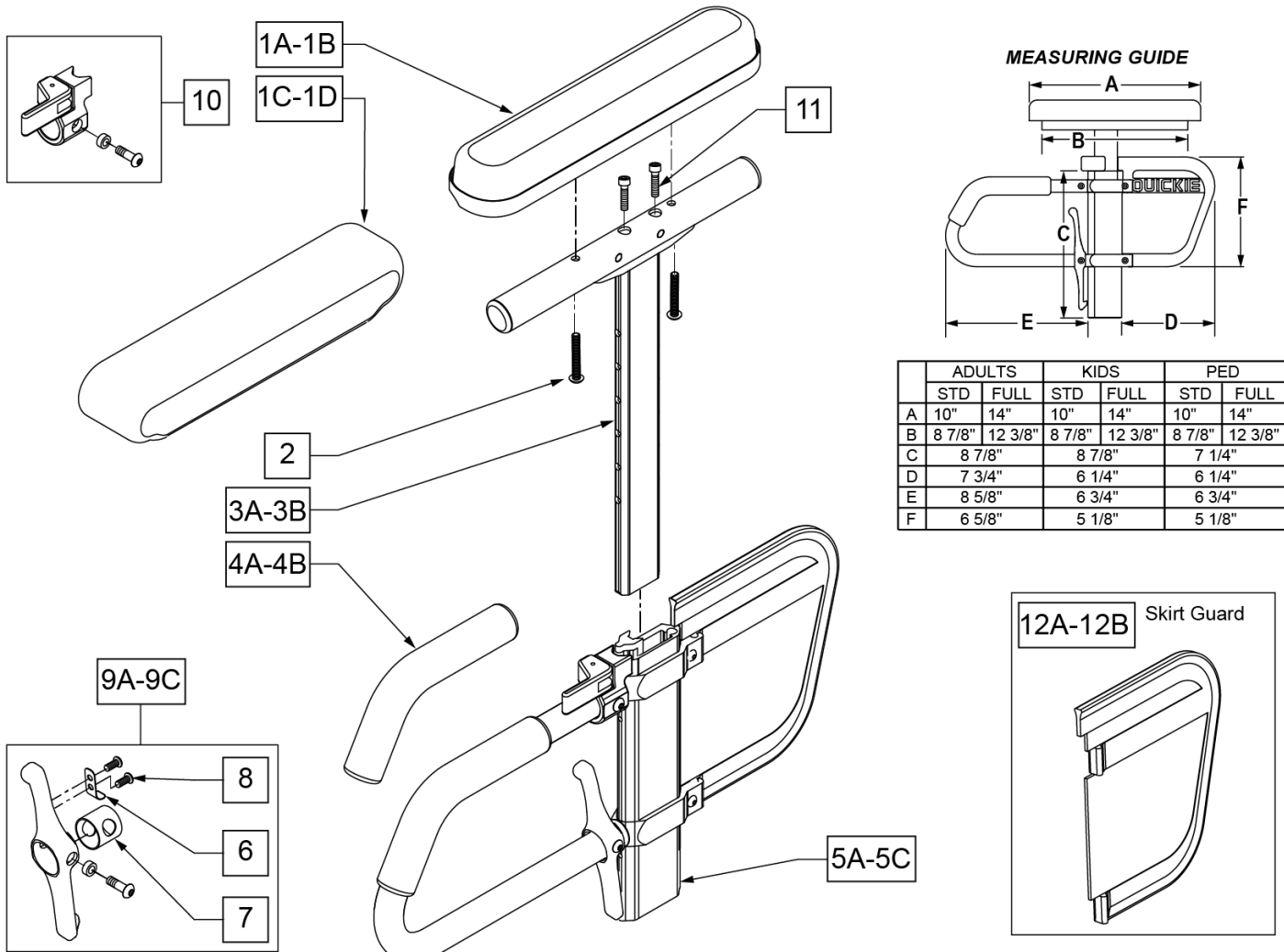


	"C"
SHORT	9 1/4"
MED	11 1/4"
LONG	13 1/4"



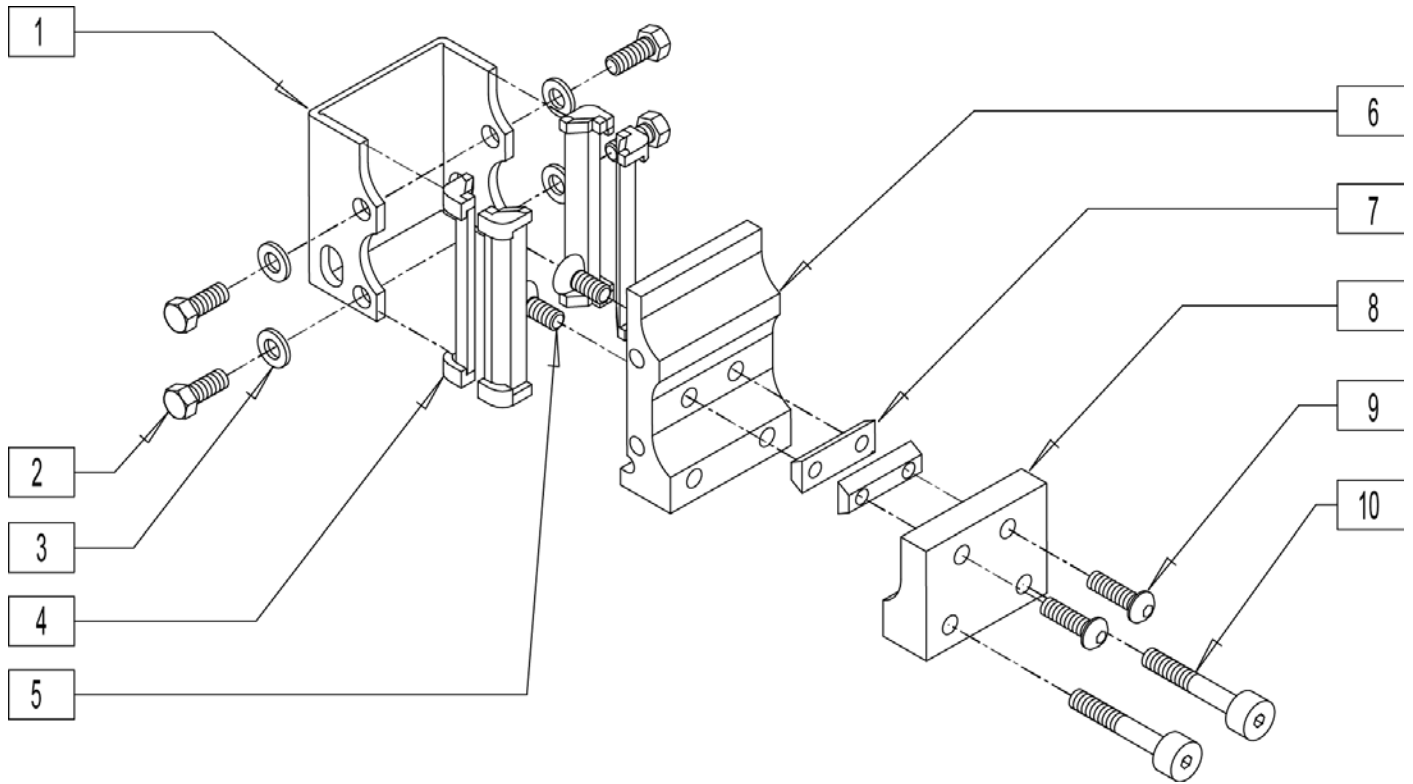
P/N	DESCRIPTION	"A"	"B"
882337	FOOTPLATE ELR 14-15"	6"	6"
882338	FOOTPLATE ELR 16-17"	7"	6"
882339	FOOTPLATE ELR 18-20"	8"	6"

Pos.	Item Number	Description	Remarks
1	106959	1/4-28 x 5/8 BH C/S	
2	550739	FOOTPLATE MOUNTING BRACKET	
3	226147	1/4-28 x 1.85 BH C/S	
4	281043	#4 x 5/8 PAN PHIL S/TAP	
5	560101	END CAPS FOOTREST	
7	561003	3/4" SADDLE THIN	
8	106935	1/4-28 NYLOCK NUT THIN	
9	550764	S/A HANGER EXT D2 SHORT BLACK	
9	550765	S/A HANGER EXT D2 MED BLK	
9	550766	S/A HANGER EXT D2 LONG BLACK	
4,5,6A	882337	ELR FOOTPLATE ASSEMBLY 14 -15"	
4,5,6B	882338	ELR FOOTPLATE ASSEMBLY 16 -17"	
4,5,6C	882339	ELR FOOTPLATE ASSEMBLY 18 -20"	
1-5,6A-8	921400S	ELR FOOTPLATE KIT 14 -15"	Does not include Extension
1-5,6B-8	921401S	ELR FOOTPLATE KIT 16 -17"	Does not include Extension
1-5,6C-8	921402S	ELR FOOTPLATE KIT 18 -20"	Does not include Extension
		Ship assembled part #	Use with multiple assemblies
	ASSY-HNG-FP	HANGER/FOOTPLATE ASSY REQUIRED	add with Hanger & Footplate kit



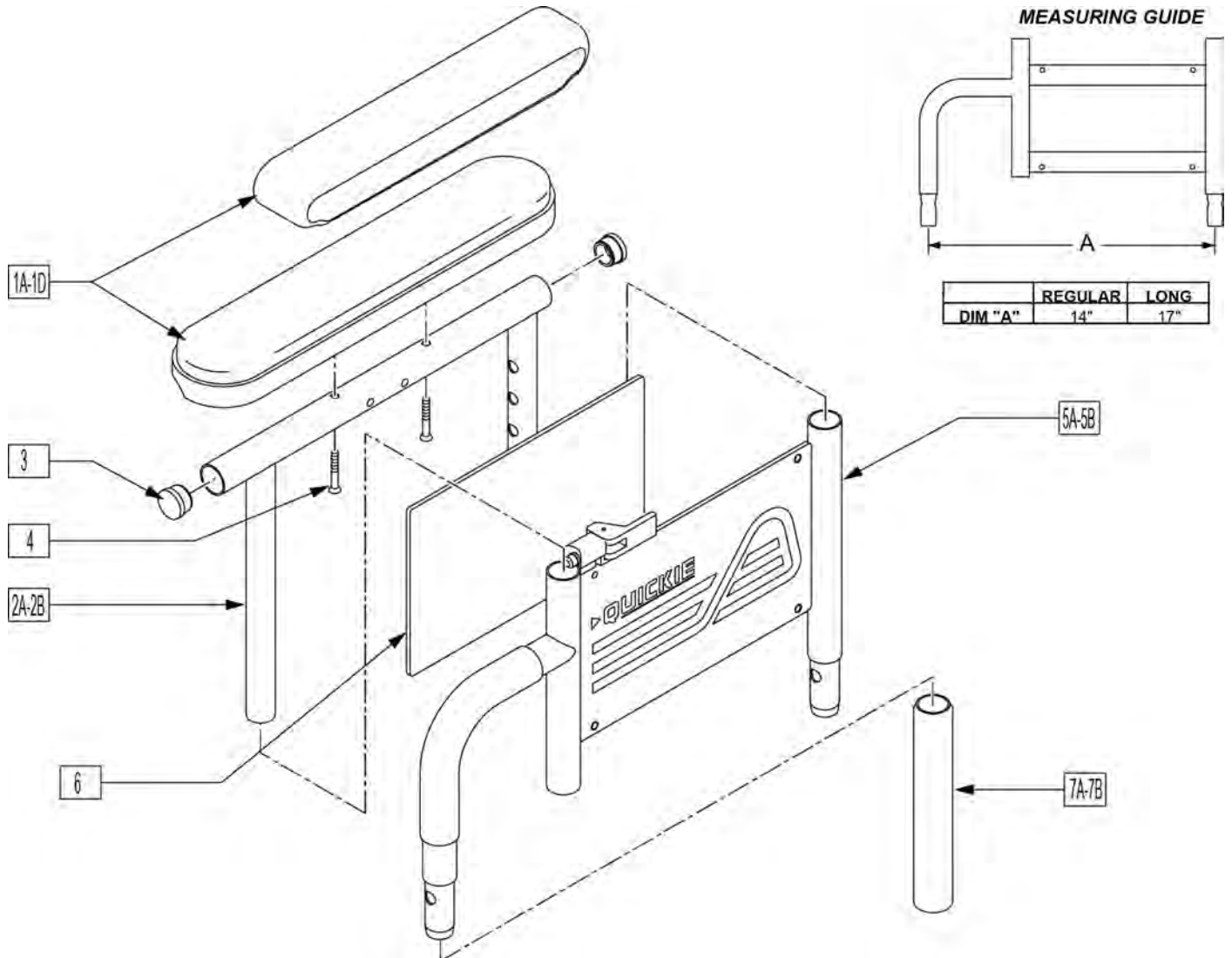
Pos.	Item Number	Description	Remarks
1A	561024	ARMREST PAD 10" DESK	DESK PAD
1B	561031	ARMREST PAD 14" FULL	FULL PAD
1C	561280	ARMREST PAD 10" L W/F	LEFT - DESK WATERFALL PAD
1C	561281	ARMREST PAD 10" R W/F	RIGHT - DESK WATERFALL PAD
1D	561284	ARMREST PAD 14" L W/F	LEFT - FULL WATERFALL PAD
1D	561285	ARMREST PAD 14" R W/F	RIGHT - FULL WATERFALL PAD
2	226038	10-32 x 1 3/8 BH C/S BLK	
4A	560610	5" x .705 x .125 FOAM TUBE	ADULT
4B	560627	7-1/2" x .705 x .125 FOAM TUBE	PEDS/KIDS
5A	882084	HT ADJ LOWER DC ARM ASSM STD R	RIGHT - STANDARD/ADULT
5A	882085	HT ADJ LOWER DC ARM ASSM STD L	LEFT - STANDARD/ADULT
5B	882082	HT ADJ LOWER DC ARM ASM KIDS R	RIGHT - KIDS
5B	882083	HT ADJ LOWER DC ARM ASM KIDS L	LEFT - KIDS
5C	882080	HT ADJ LOWER ARM ASSM PE D R	RIGHT - PEDIATRIC
5C	882081	HT ADJ LOWER ARM ASSM PE D L	LEFT - PEDIATRIC
6	321721	LEVER RETURN SPRING	
7	562825	RELEASE LEVER INNER SLEEVE	
8	281045	#6 x 1/4 PAN PHIL S/M/S	
9A	888000	HT ADJ REC REL LEVER ASSM STD	ADULT

Pos.	Item Number	Description	Remarks
9B	888001	HT ADJ REC REL LEVER ASSM KIDS	KIDS
9C	888002	HT ADJ REC REL LEVER ASSM PEDS	PEDS
10	888003	HT ADJ UPPER ARM REL ASSM R	RIGHT
10	888004	HT ADJ UPPER ARM REL ASSM L	LEFT
11	108534	SHCS 10-32 X 1-1/4 PL	Used with Classic Full only
12A	561140	HT ADJ SKIRT GUARD STD	Standard
12B	561141	HT ADJ SKIRT GUARD KDS	Kids
>>>>		ADULT UPPER ASSEMBLIES	
1A-3A	880192	HT ADJ UPPER ARM ASSM DESK R	RIGHT - ADULT DESK PAD
1A-3A	880198	HT ADJ UPPER ARM ASSM DESK L	LEFT - ADULT DESK PAD
1B-3A,11	880193	HT ADJ UPPER ARM ASSM FL R	RIGHT - ADULT FULL PAD
1B-3A,11	880199	HT ADJ UPPER ARM ASSM FL L	LEFT - ADULT FULL PAD
>>>>		ADULT UPPER ASSEMBLIES	
1C-3A	881230	HT ADJ UPPER L ARM ASSM DESK W/F	RIGHT - ADULT DESK WATER FALL PAD
1C-3A	881231	HT ADJ UPPER R ARM ASSM DESK W/F	LEFT - ADULT DESK WATER FALL PAD
1D-3A	881232	HT ADJ UPPER L ARM ASSM FL W/F	RIGHT - ADULT FULL WATER FALL PAD
1D-3A	881233	HT ADJ UPPER R ARM ASSM FL W/F	LEFT - ADULT FULL WATER FALL PAD
>>>>		PEDIATRIC AND KIDS UPPER ASSEMBLIES	
1A-3B	880174	HT ADJ UPPER ARM PED PWR DESK R	RIGHT - PED/KIDS DESK PAD
1A-3B	880175	HT ADJ UPPER ARM PED PWR DESK L	LEFT - PED/KIDS DESK PAD
1B-3B,11	880176	HT ADJ UPPER ARM PED PWR FULL R	RIGHT - PED/KIDS FULL PAD
1B-3B,11	880177	HT ADJ UPPER ARM PED PWR FULL L	LEFT - PED/KIDS FULL PAD
>>>>		PEDIATRIC AND KIDS UPPER ASSEMBLIES	
1C-3B	888341	HT ADJ PED UPPER R ARM ASSM D WF	RIGHT - PED/KIDS DESK WATER FALL PAD
1C-3B	888342	HT ADJ PED UPPER L ARM ASSM D WF	LEFT - PED/KIDS DESK WATER FALL PAD
1D-3B	888343	HT ADJ PED UPPER R ARM ASSM F WF	RIGHT - PED/KIDS FULL WATER FALL PAD
1D-3B	888344	HT ADJ PED UPPER L ARM ASSM F WF	LEFT - PED/KIDS FULL WATER FALL PAD
>>>>		COMPLETE ADULT ARMREST ASSEMBLY	
1A-3A-5A	880210	HT ADJ STD R W/DESK ARM PAD	RIGHT - ADULT - DESK PAD
1A-3A-5A	880211	HT ADJ STD L W/DESK ARM PAD	LEFT - ADULT - DESK PAD
1B-3A-5A,11	880212	HT ADJ STD R W/FULL ARM PAD	RIGHT - ADULT - FULL PAD
1B-3A-5A,11	880213	HT ADJ STD L W/FULL ARM PAD	LEFT - ADULT - FULL PAD
1C-3A-5A	881301	HT ADJ STD R W/DESK W/F PAD	RIGHT - ADULT - WATERFALL DESK PAD
1C-3A-5A	881300	HT ADJ STD L W/DESK W/F PAD	LEFT - ADULT - WATERFALL DESK PAD
1D-3A-5A	881305	HT ADJ STD R W/FULL W/F PAD	RIGHT - ADULT - WATERFALL FULL PAD
1D-3A-5A	881304	HT ADJ STD L W/FULL W/F PAD	LEFT - ADULT - WATERFALL FULL PAD
>>>>		COMPLETE KIDS ARMREST ASSEMBLY	
1A-3B-5B	880214	HT ADJ KIDS R W/DESK ARM PAD	RIGHT - KIDS - DESK PAD
1A-3B-5B	880215	HT ADJ KIDS L W/DESK ARM PAD	LEFT - KIDS - DESK PAD
1B-3B-5B,11	880216	HT ADJ KIDS R W/FULL ARM PAD	RIGHT - KIDS - FULL PAD
1B-3B-5B,11	880217	HT ADJ KIDS L W/FULL ARM PAD	LEFT - KIDS - FULL PAD
1C-3B-5B	881303	HT ADJ KIDS R W/DESK W/F PAD	RIGHT - KIDS - WATERFALL DESK PAD
1C-3B-5B	881302	HT ADJ KIDS L W/DESK W/F PAD	LEFT - KIDS - WATERFALL DESK PAD
1D-3B-5B	881307	HT ADJ KIDS R W/FULL W/F PAD	RIGHT - KIDS - WATERFALL FULL PAD
1D-3B-5B	881306	HT ADJ KIDS L W/FULL W/F PAD	LEFT - KIDS - WATERFALL FULL PAD
>>>>		COMPLETE PEDIATRIC ARMREST ASSEMBLY	
1A-3B-5C	880226	HT ADJ PED R W/DESK ARM PAD	RIGHT - PEDS - DESK PAD
1A-3B-5C	880227	HT ADJ PED L W/DESK ARM PAD	LEFT - PEDS - DESK PAD
1B-3B-5C,11	880228	HT ADJ PED R W/FULL ARM PAD	RIGHT - PEDS - FULL PAD
1B-3B-5C,11	880229	HT ADJ PED L W/FULL ARM PAD	LEFT - PEDS - FULL PAD
1C-3B-5C	888345	HT ADJ PED R W/DESK W/F PAD	RIGHT - PEDS - WATERFALL DESK PAD
1C-3B-5C	888346	HT ADJ PED L W/DESK W/F PAD	LEFT - PEDS - WATERFALL DESK PAD
1D-3B-5C	888347	HT ADJ PED R W/FULL W/F PAD	RIGHT - PEDS - WATERFALL FULL PAD
1D-3B-5C	888348	HT ADJ PED L W/FULL W/F PAD	LEFT - PEDS - WATERFALL FULL PAD



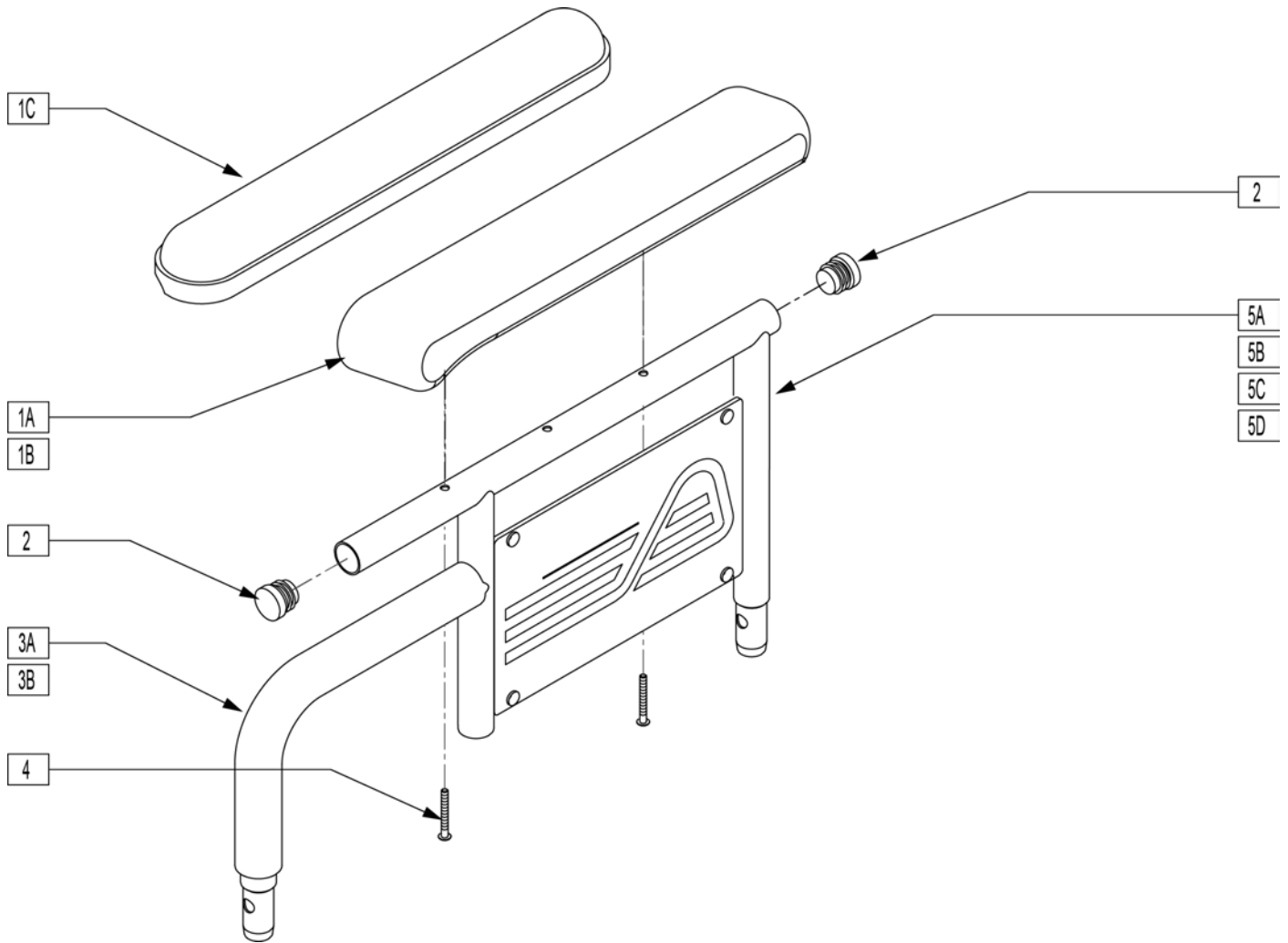
Pos.	Item Number	Description
1	550485	HT ADJ REC CHANNEL
2	221097	1/4-28 x 5/8 HEX C/S BZ
3	106943	WASHER FLAT AN 1/4 ROHS
4	561134	HT ADJ RECEIVER LINER
5	227104	1/4-28 x 5/8 FH C/S BLK ZN
6	550507	HEIGHT ADJ REC S626
7	481418	1/4-28 CHANNEL NUT .80" SP
8	550508	HEIGHT ADJ REC CLAMP S626
9	221016	1/4-28 x 5/8 B/H C/S BLACK G5
10	226114	1/4-28 x 1 1/2 SOC C/S BLK
1-10	880277	HT ADJ ARM REC ASSM S626

Note: for Quickie M6 if retrofitting armrests to a chair where they were originally omitted, order one each of 881256 & 881257 front receivers. The rear receivers are already on the chair.



Pos.	Item Number	Description	Remarks
1A	561280	ARMREST PAD 10" LEFT W/F	Left,Desk,Waterfall
1A	561281	ARMREST PAD 10" RIGHT W/F	Right,Desk,Waterfall
1B	561284	ARMREST PAD 14" LEFT W/F	Left,Full,Waterfall
1B	561285	ARMREST PAD 14" RIGHT W/F	Right,Full,Waterfall
1C	561024	ARMREST PAD 10" DESK	Desk Pad
1D	561031	ARMREST PAD 14" FULL	Full Pad
2A	521841	DUAL PST ADJ UPPR ARM DESK PW	Desk
2B	521843	DUAL PST ADJ UPPR ARM FULL PW	Full
3	560735	7/8" ROUND TUBE PLUG	
4	226038	10-32 x 1 3/8 BH C/S BLK	
5A	881556	ARM ASSM LOWER HT ADJ REG R	Right, Regular
5A	881557	ARM ASSM LOWER HT ADJ REG L	Left, Regular

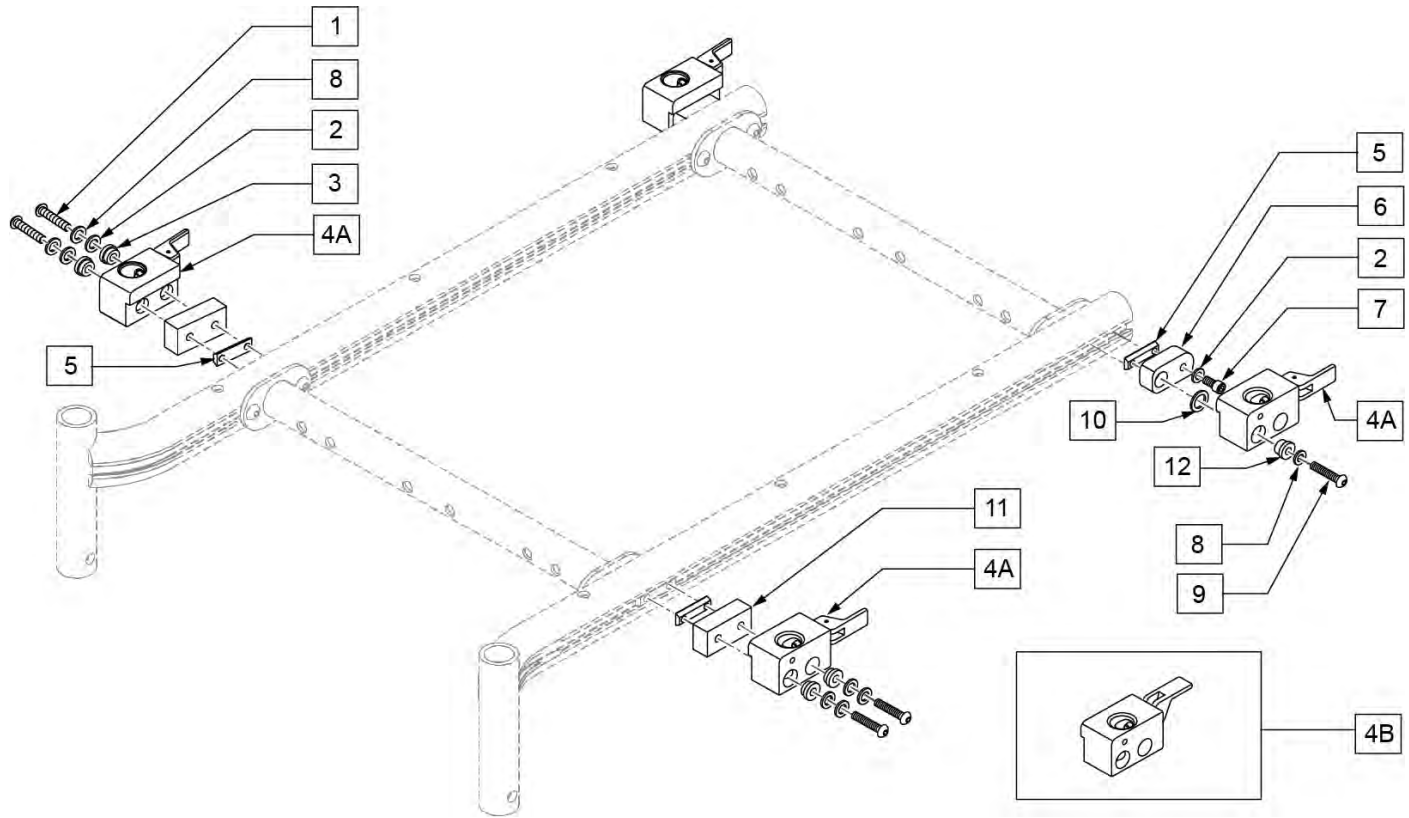
Pos.	Item Number	Description	Remarks
5B	881558	DUAL POST ADJ LOWER ARM LONG R	Right, Long
5B	881559	DUAL POST ADJ LOWER ARM LONG L	Left, Long
6	750009	INSIDE ARMREST PAD (P-222/S-626)	
7A	560514	FOAM 8" x .840 TUBE	Regular
7B	560614	11" x .840 FOAM TUBE	Long
1C,2A,3,4	881446	DUALPOST UHA AREST RH INC DESK	
1C,2A,3,4	881447	DUALPOST UHA AREST LH INC DESK	
1D,2A,3,4	881448	DUALPOST UHA AREST RH INC FULL	
1D,2A,3,4	881449	DUALPOST UHA AREST LH INC FULL	
1A,2A,3,4	881240	D-POST UPPR L ARM ASSM DSK W/F	
1A,2A,3,4	881241	D-POST UPPR R ARM ASSM DSK W/F	
1B,2B,3,4	881242	D-POST UPPR L ARM ASSM FL W/F	
1B,2B,3,4	881243	D-POST UPPR R ARM ASSM FL W/F	
1A,2A,3,4,5A,6	881308	D-POST SHT L W/DSK W/F PAD	
1A,2A,3,4,5A,6	881309	D-POST SHT R W/DSK W/F PAD	
1B,2B,3,4,5A,6	881310	D-POST SHT L W/FL W/F PAD	
1B,2B,3,4,5A,6	881311	D-POST SHT R W/FL W/F PAD	
1A,2A,3,4,5B,6	881312	D-PST LNG ADJ L W/DSK W/F PAD	
1A,2A,3,4,5B,6	881313	D-PST LNG ADJ R W/DSK W/F PAD	
1B,2B,3,4,5B,6	881314	D-POST LNG ADJ L W/FL W/F PAD	
1B,2B,3,4,5B,6	881315	D-POST LNG ADJ R W/FL W/F PAD	
1C,2A,3,4,5A,6	881572	DUAL POST ADJ SHT W/DSK R PWR	
1C,2A,3,4,5A,6	881573	DUAL POST ADJ SHT W/DSK L PWR	
1D,2B,3,4,5B,6	881574	DUAL POST ADJ LONG W/FL R PWR	
1D,2B,3,4,5B,6	881575	DUAL POST ADJ LONG W/FL L PWR	
1C,2A,3,4,5B,6	881576	DUAL POST ADJ LONG W/DSK R PWR	
1C,2A,3,4,5B,6	881577	DUAL POST ADJ LONG W/DSK L PWR	
1D,2B,3,4,5A,6	881578	DUAL POST ADJ SHT W/FL R PWR	
1D,2B,3,4,5A,6	881579	DUAL POST ADJ SHT W/FL L PWR	



Pos.	Item Number	Description	Remarks
1A	561280	ARMREST PAD 10" LEFT W/F	
1A	561281	ARMREST PAD 10" RIGHT W/F	
1B	561284	ARMREST PAD 14" LEFT W/F	
1B	561285	ARMREST PAD 14" RIGHT W/F	
1C	561024	ARMREST PAD 10" DESK	
1D	561031	ARMREST PAD 14" FULL	
2	560735	7/8" ROUND TUBE PLUG	
3A	560514	FOAM 8" x .840 TUBE	
3B	560614	11" x .840 FOAM TUBE	
4	226038	10-32 x 1 3/8 BH C/S BLK	
6	240155	RIVET 3/16 x 3/8 TUBULAR ALUM	Requires Rivet installation Tool
7	562744	ARMREST FRAME PANEL FIXED R	Right
7	562745	ARMREST FRAME PANEL FIXED L	Left
1A,2-4,5A,6,7	881730	D-POST ARM SHT R W/DSK W/F PAD	Right
1A,2-4,5A,6,7	881731	D-POST ARM SHT L W/DSK W/F PAD	Left
1B,2-4,5B,6,7	881732	D-POST ARM SHT R W/FL W/F PAD	Right
1B,2-4,5B,6,7	881733	D-POST ARM SHT L W/FL W/F PAD	Left
1A,2,3A,4,5C,6,7	881734	D-POST ARM LNG R W/DSK W/F PAD	Right
1A,2,3A,4,5C,6,7	881735	D-POST ARM LNG L W/DSK W/F PAD	Left

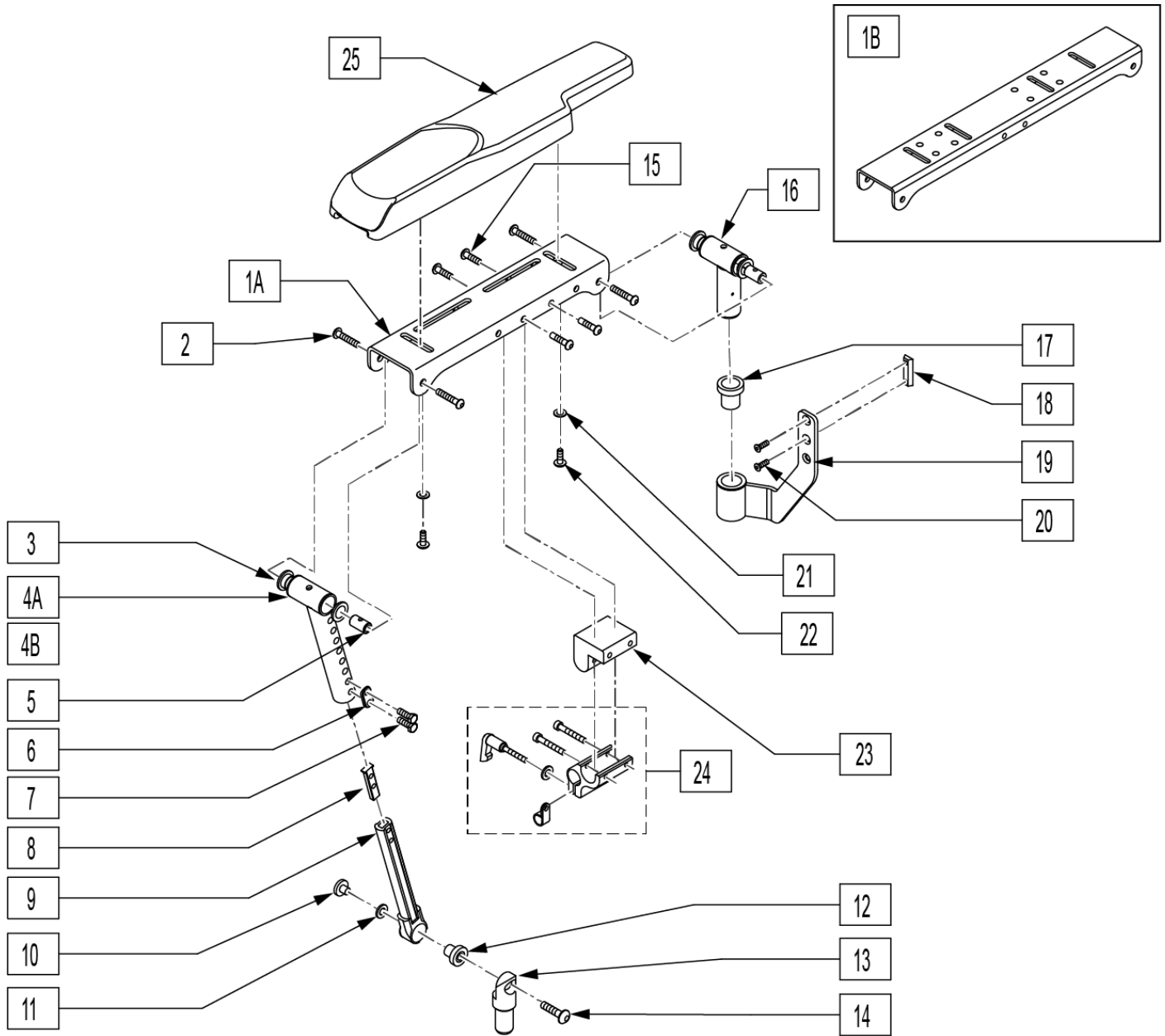
Pos.	Item Number	Description	Remarks
1B,2-4,5D,6,7	881736	D-POST ARM LNG R W/FL W/F PAD	Right
1B,2-4,5D,6,7	881737	D-POST ARM LNG L W/FL W/F PAD	Left
1C,2-4,5A,6,7	881580	DUAL POST ARM SHT W/DSK R PWR	Right
1C,2-4,5A,6,7	881581	DUAL POST ARM SHT W/DSK L PWR	Left
1D,2-4,5B,6,7	881582	DUAL POST ARM SHT W/FL R PWR	Right
1D,2-4,5B,6,7	881583	DUAL POST ARM SHT W/FL L PWR	Left
1C,2-4,5C,6,7	881584	DUAL POST ARM LNG W/DSK R PWR	Right
1C,2-4,5C,6,7	881585	DUAL POST ARM LNG W/DSK L PWR	Left
1D,2-4,5D,6,7	881586	DUAL POST ARM LNG W/FL R PWR	Right
1D,2-4,5D,6,7	881587	DUAL POST ARM LNG W/FL L PWR	Left

Note: if replacing receiver on chairs prior to s/n S64-040046, assembly numbers with mounting hardware must be purchased.



Pos.	Item Number	Description	Remarks
1	226223	1/4-28 X 1 1/4" BH C/S BLK	
2	106944	WASHER FLAT THIN AN 1/4	
3	340143	BUSHING .257IDx.25LG SST	
4A	506366	UNIVRSL ARMRST RCVR ASSM RH	Right
4A	506367	UNIVRSL ARMRST RCVR ASSM LH	Left
4B	506368	UNIV ARMREST RCVR ASSM RV	Optional release position, not offered on chair
4B	506369	UNIV ARMREST RCVR ASSM LV	Optional release position, not offered on chair
5	481108-QU	1/4-28 CHANNEL NUT-2 HOLE	
6	542181	UNIV DP AR REC PVT BACK R BRKT	
6	542184	UNIV DP AR REC PVT BCK L BRKT	
7	221013	1/4-28 X .50 SHCS BLK W/PL	
8	106943	1/4 AN WASHER FLAT	
9	226223	1/4-28 X 1 1/4" BH C/S BLK	
10	561273	1/2 x 3/4 x .060 NYLON WASHER	
11	542180	UNIV DP AR REC SL TD FRNT BRKT	
12	340144	BUSHING .257 ID X .346 LG SST	
2,4A,5-10,12	506414	UNI DP ARM RCVR ASSM RRH S646	Right
2,4A,5-10,12	506415	UNI DP ARM RCVR ASSM LRH S646	Left
2,4B,5-10,12	506416	UNI DP ARM RCVR ASSM RRV S646	Right
2,4B,5-10,12	506417	UNI DP ARM RCVR ASSM LRV S646	Left
1-3,4A,5,8,11	506418	UNI DP ARM RCVR ASSM RFH S646	Right
1-3,4A,5,8,11	506419	UNI DP ARM RCVR ASSM LFH S646	Left

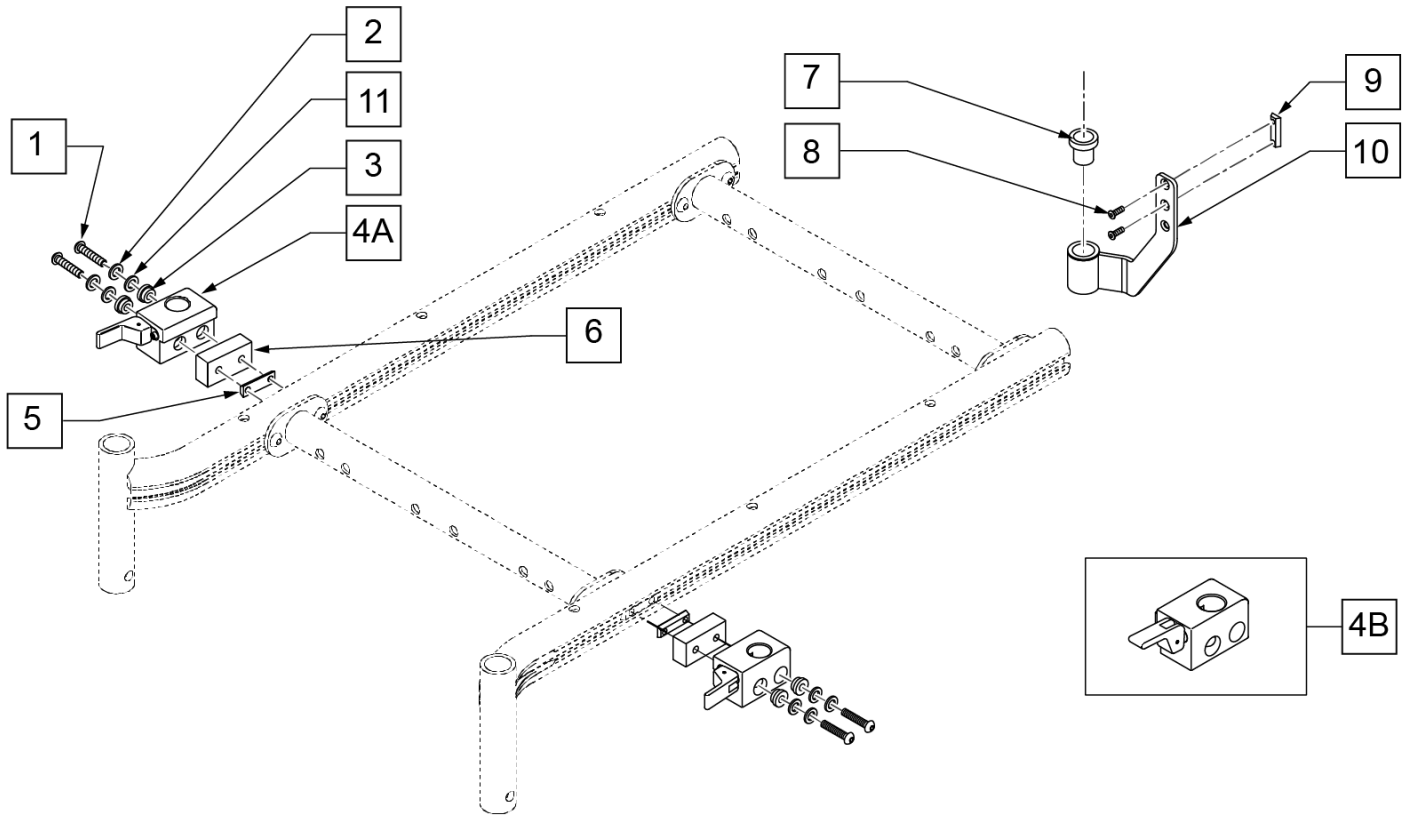
Pos.	Item Number	Description	Remarks
1-3,4B,5,8,11	506420	UNI DP ARM RCVR ASSM RFV S646	Right
1-3,4B,5,8,11	506421	UNI DP ARM RCVR ASSM LFV S646	Left



Pos.	Item Number	Description	Remarks
1A	483249	ARMREST CHANNEL SHORT	
1B	505624	ARMREST CHANNEL LONG	use w/ large Otto Boc Pads (discontinued)
2	226245	1/4-20 x 3/8 BH CS BLK ZN	
3	349598	BEARING IGUS 5/8 x 3/4 x 1/2	
4A	542096	FRNT MNT UPPER STRUT WLDMNT SHT	
4B	542130	FRNT MNT UPPER STRT WLDMNT LNG	
5	481457	UPPER PIVOT PIN	
6	483717	HANGER SADDLE	
7	221102	1/4-28 x 3/4 HEX C/S BLK W/PAT	
8	500078	INSERT D2 EXT TUBE	
9	542097	FRNT MNT LOWER STRUT WLDMNT	
10	481467	LOWER ARMREST BOSS	

Pos.	Item Number	Description	Remarks
11	341558	.5 x 1.0 x .043 BLLVILL WASHER	
12	349597	BEARING IGUS 1/2 x 5/8 x 5/8	
13	502248	FRONT ARMREST PIVOT POST	
14	226274	3/8-16 x 3/4 BH C/S BLK W/PTCH	
15	222297	10-24 x 3/8 SOC BH C/S W/PTCH	
16	885070	REAR PIVOT POST SUB-ASSM R	Right
16	885071	REAR PIVOT POST SUB-ASSM L	Left
17	349599	BEARING IGUS 7/8 x 1.0 x 1-1/2	
18	481108-QU	(04) 1/4-28 CHANNEL NUT-2 HOLE	
19	542029	REAR ARMREST MOUNT WLDMNT	
20	226109	1/4-28 x 3/8 F/H SOCKET C/S	
21	261204	#10 AN WASHER .063	
22	230497	M5-.8 x 20mm BH C/S	Use w/ item 25
23	551001	CONTROLER MOUNT BLOCK	
24	920713	CONTROL ARM CLAMP ASSM	
25	561186	ARM PAD PWR RCLN R	
25	561187	ARM PAD PWR RCLN L	
20-23	887238	TILT/RCLNE REAR ARM REC	
1A-4A,5,9-15	887750	TLT/RCLN ARMST SHT STD R	Right
1A-4A,5,9-15	887751	TLT/RCLN ARMST SHT STD L	Left
1B-4A,5,9-15	887752	TLT/RCLN ARMST LNG STD R	Right; use w/ large Otto Boc Pads (discontinued)
1B-4A,5,9-15	887753	TLT/RCLN ARMST LNG STD L	Left; use w/ large Otto Boc Pads (discontinued)
1A-4B,5,9,15	887770	TLT/RCLN ARMST SHT TALL R	Right
1A-4B,5,9,15	887771	TLT/RCLN ARMST SHT TALL L	Left
1B-4B,5,9-15	887772	TLT/RCLN ARMST LNG TALL R	Right; use w/ large Otto Boc Pads (discontinued)
1B-4B,5,9-15	887773	TLT/RCLN ARMST LNG TALL L	Left; use w/ large Otto Boc Pads (discontinued)
1A-4A,5,9-15	921905	TILT/RCLN ARM SHRT STD (PR)	Pair
1B-4B,5,9-15	921907	TILT/RCLN ARM SHRT TALL (PR)	Pair; use w/ large Otto Boc Pads (discontinued)
1A-4A,5,9,15	921906	TILT/RCLNE ARM LNG STD (PR)	Pair
1B-4B,5,9-15	921908	TILT/RCLNE ARM LNG TALL (PR)	Pair; use w/ large Otto Boc Pads (discontinued)

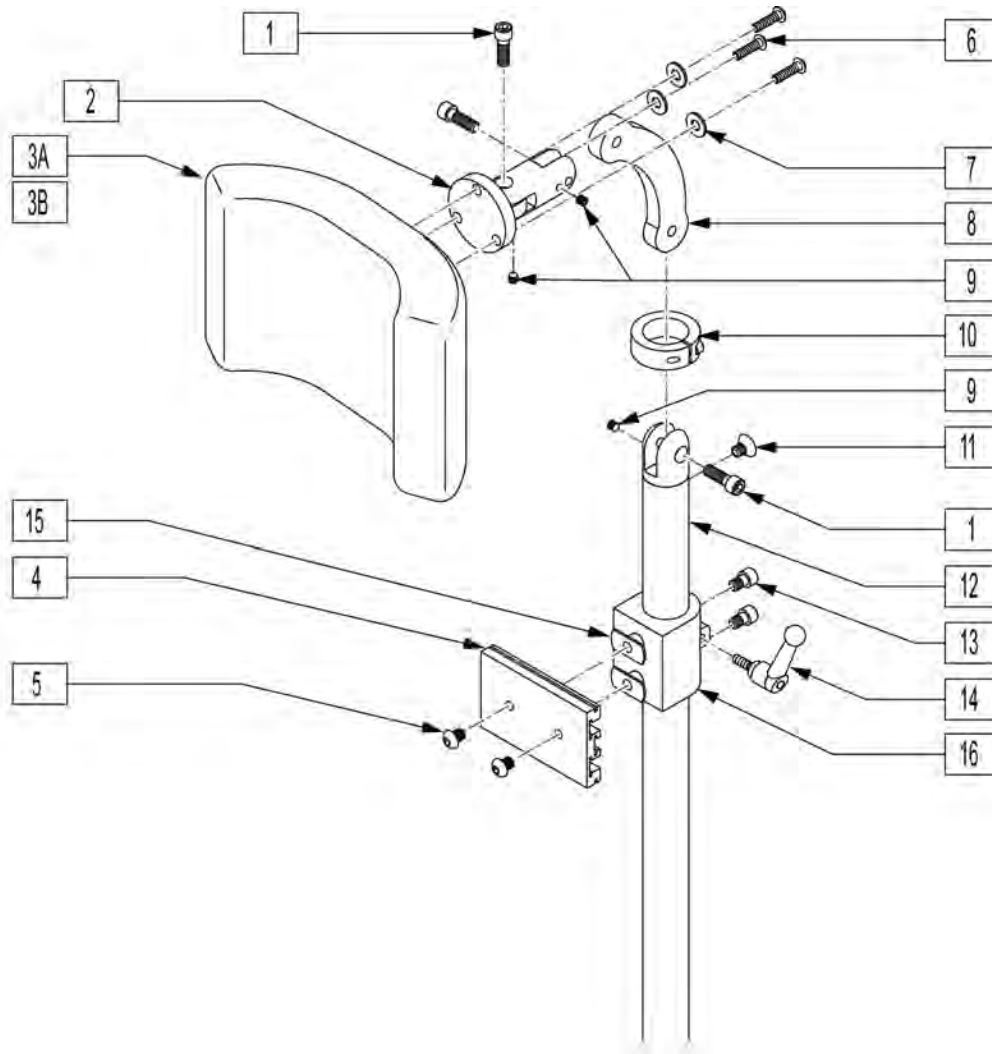
NOTE: if replacing receiver on chairs prior to s/n S64-040046, assembly numbers with mounting hardware must be purchased.



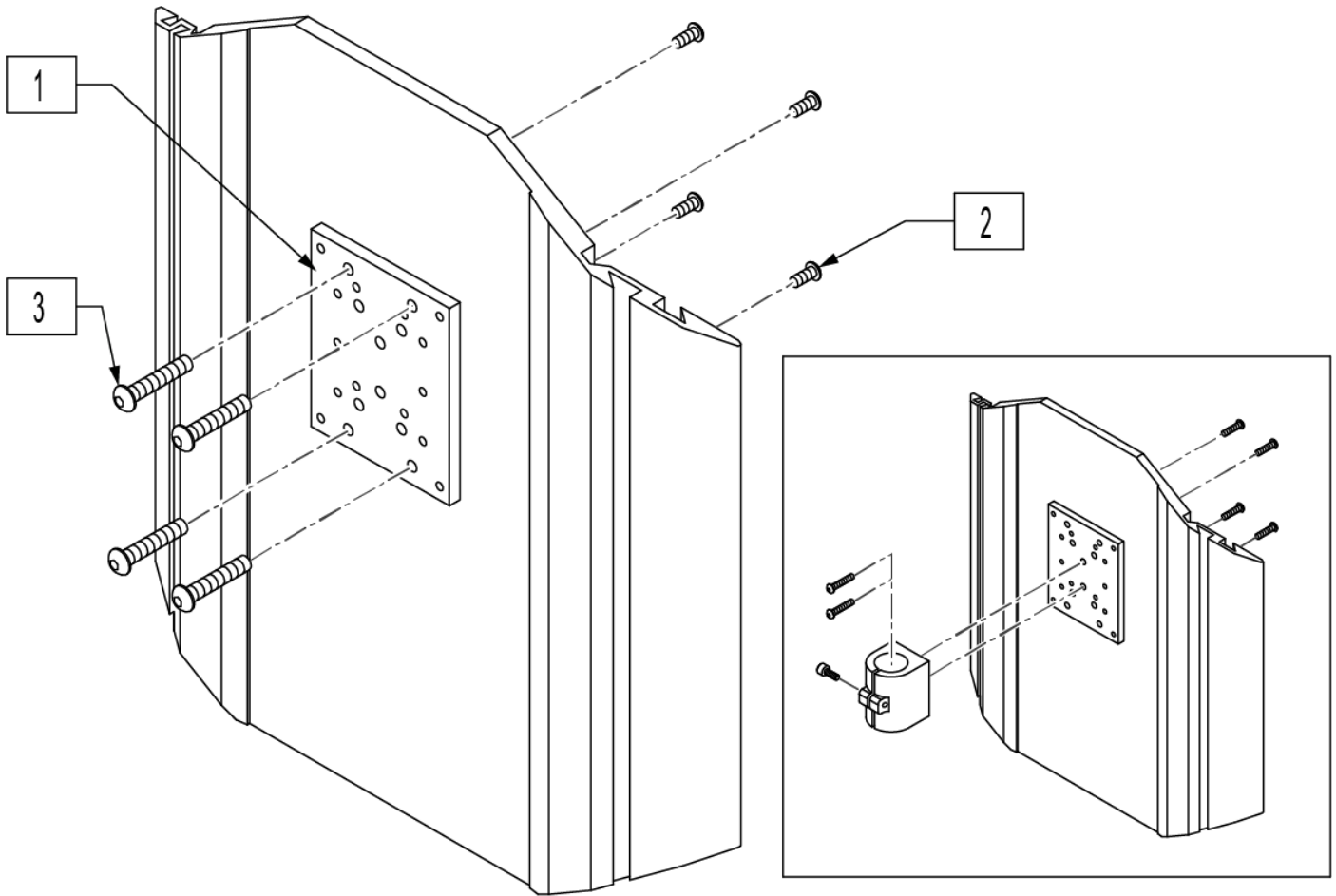
Pos.	Item Number	Description	Remarks
1	226223	1/4-28 X 1 1/4" BH C/S BLK	
2	106943	WASHER FLAT AN 1/4 ROHS	
3	340143	BUSHING .257IDx.25LG SST	
4A	506366	UNIVRSL ARMRST RCVR ASSM RH	
4A	506367	UNIVRSL ARMRST RCVR ASSM LH	
4B	506368	UNIV ARMREST RCVR ASSM RV	Optional release position, not offered on chair
4B	506369	UNIV ARMREST RCVR ASSM LV	Optional release position, not offered on chair
5	481108-QU	1/4-28 CHANNEL NUT-2 HOLE	
6	542180	UNIV DP AR REC SL TD FRNT BRKT	
7	349599	BEARING IGUS 7/8 x 1.0 x 1-1/2	
8	226109	1/4-28 x 3/8 F/H SOCKET C/S	
9	481108-QU	(04) 1/4-28 CHANNEL NUT-2 HOLE	
10	542029	REAR ARMREST MOUNT WLDMNT	
11	106944	WASHER FLAT THIN AN 1/4	
1-4A,5,6,11	506418	UNI DP ARM RCVR ASSM RFH S646	
1-4A,5,6,11	506419	UNI DP ARM RCVR ASSM LFH S646	
1-4B,5,6,11	506420	UNI DP ARM RCVR ASSM RFV S646	Optional release position, not offered on chair
1-4B,5,6,11	506421	UNI DP ARM RCVR ASSM LFV S646	Optional release position, not offered on chair

HEADREST

[04/2009]



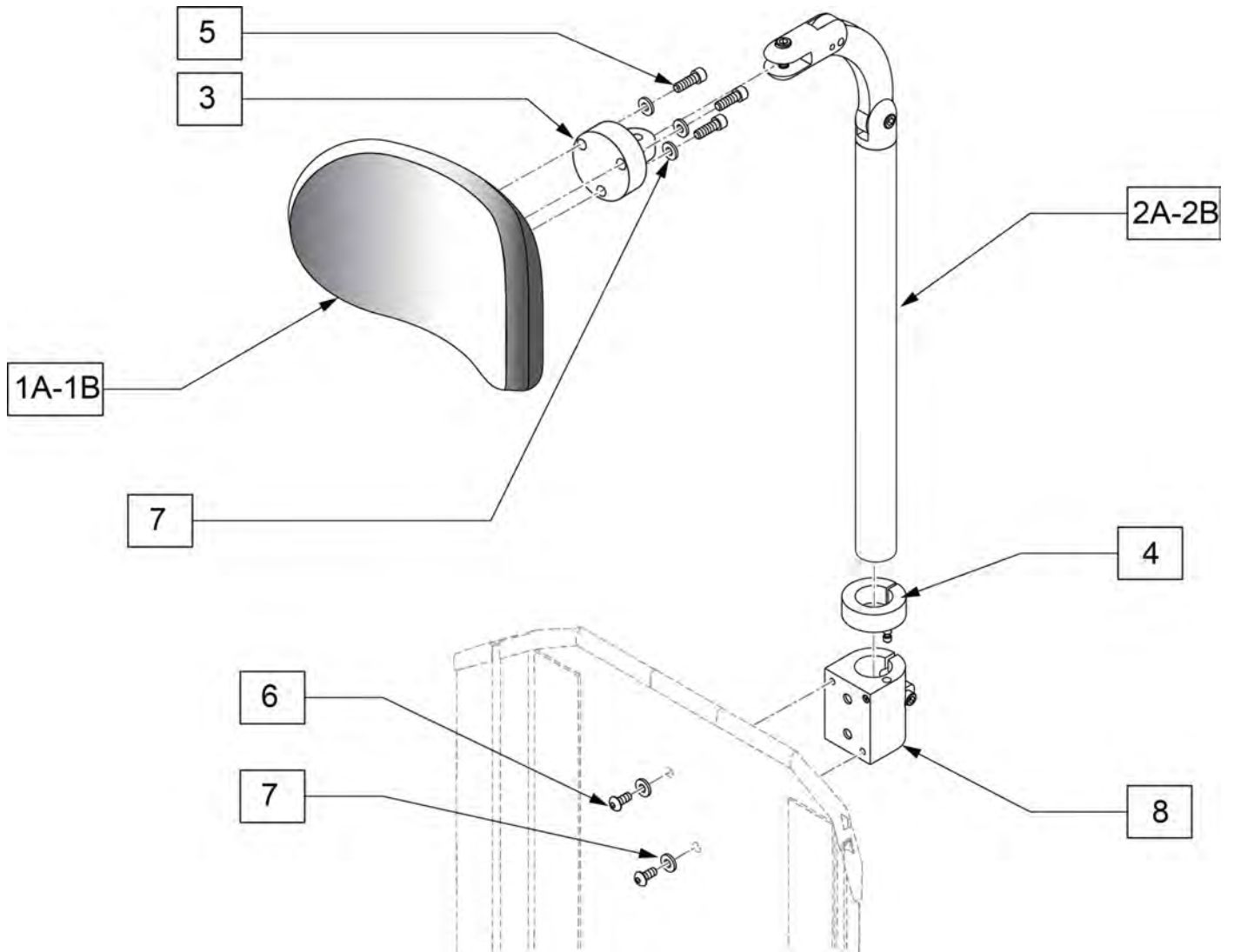
Pos.	Item Number	Description	Remarks
1	221115	1/4-20 x 3/4" SOC HD C/S BLK	
3A	750696	HEADREST W/ZIPPER MEDIUM CG	8x4.5 pad
3B	750697	HEADREST W/ZIPPER LARGE CG	9x4.5 pad
4	505932	HEADREST MOUNTING TRACK	
5	476304	1/4-28 x .31 BHCS W/PATCH	
6	221010	10-32 x .75 SHCS BLK W/PL	
7	261204	#10 AN WASHER .063	
8	331077	HEADREST LINK 6 INCH	
9	341045	#10-24 CONE POINT SET SCREW	
10	505933	HEADREST COLLAR	
11	226072	1/4-20 x 1/2 FH C/S BLK	
13	226095	1/4-20 x 3/8" SOC C/S BLK ZN	
14	341046	HEADREST CLAMPING HANDLE SCREW	
15	340033	1/4-20 WELD NUTS SLAB BASE	
4,5,13-16	888101	CLAMP HEADREST RIGID BACK	
1,2,4,6-16	881003	HEADREST MOUNTING BRACKET ASSM	
1-3A,4-16	881907	HEADREST ASSEMBLY MEDIUM	8x4.5 pad
1-3B,4-16	881908	HEADREST ASSEMBLY LARGE	9x4.5 pad



Pos.	Item Number	Description
1	XM2025	HDRST MTG PLT JAY FIT SYSTEM
2	476304	1/4-28 x .31 BHCS W/PATCH
3	226018-QU	10-32 X 3/8 BH C/S W/PATCH BLK
1-3	476314	HEADREST NMT KIT W/HDWR POWER

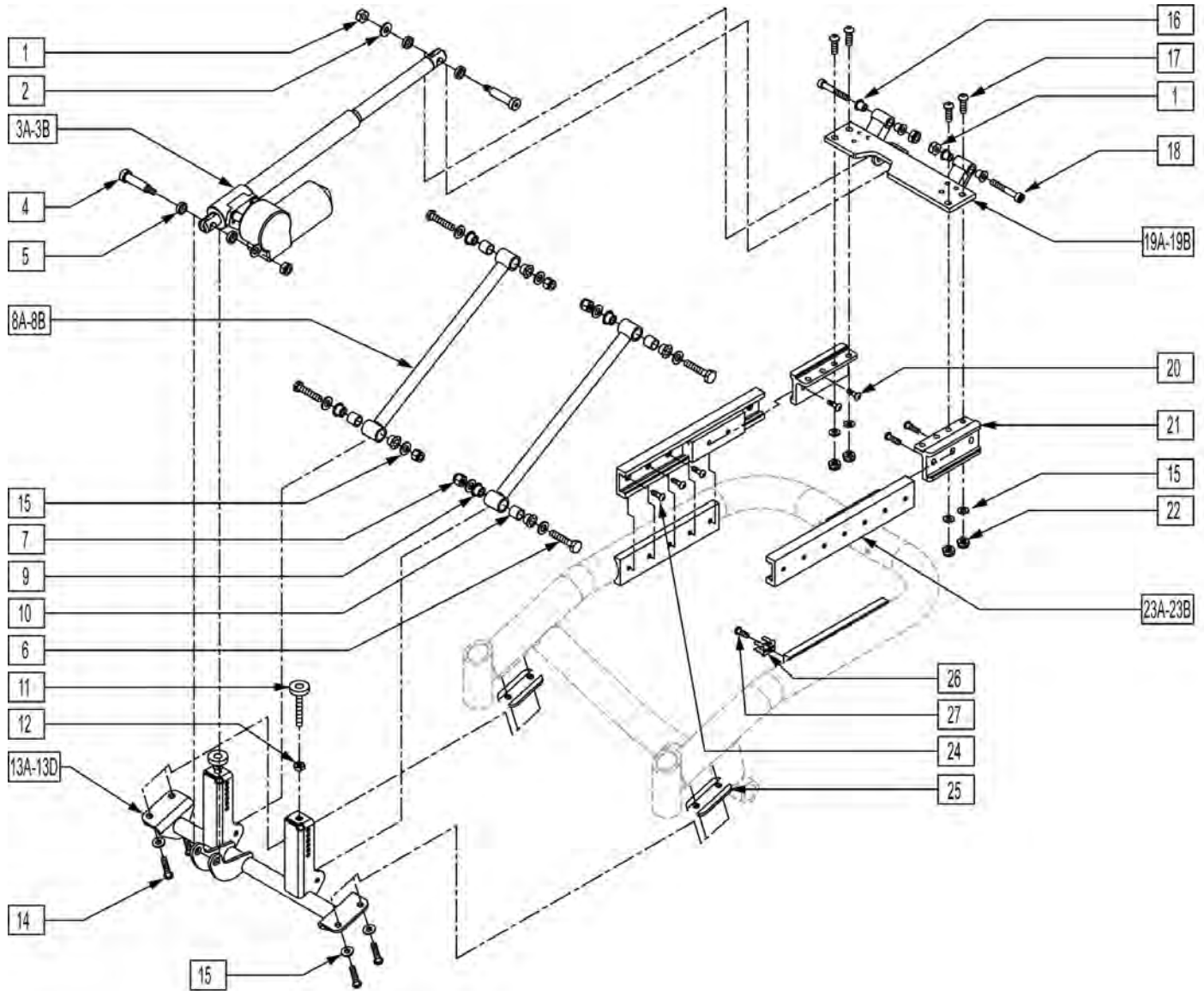
HEADREST - RECLINE BACK ASSEMBLY

[03/2010]



Pos.	Item Number	Description	Remarks
1A	750696	HEADREST W/ZIPPER MEDIUM CG	8X4.5 PAD
1B	750697	HEADREST W/ZIPPER LARGE CG	9X4.5 PAD
4	505933	HEADREST COLLAR	
5	455010-QU	10-32 x 3/4 BH C/S BLK	
6	226023	10-32 x 7/16 BH C/S BLK	
7	261204	#10 AN WASHER .063	
2A,3,4,8	881435	HEADREST MOUNT BRKT 7"	7" Headrest Tube
2B,3,4,8	881436	HEADREST MOUNT BRKT 9"	9" Headrest Tube
1A,2A,3-8	881940	HEADREST ASSM TILT/RCLN 7" MED	8X4.5 PAD
1B,2A,3-8	881941	HEADREST ASSM TILT/RCLN 7" LRG	9X4.5 PAD
1A,2B,2-8	881942	HEADREST ASSM TILT/RCLN 9" MED	8X4.5 PAD
1B,2B,3-8	881943	HEADREST ASSM TILT/RCLN 9" LRG	9X4.5 PAD

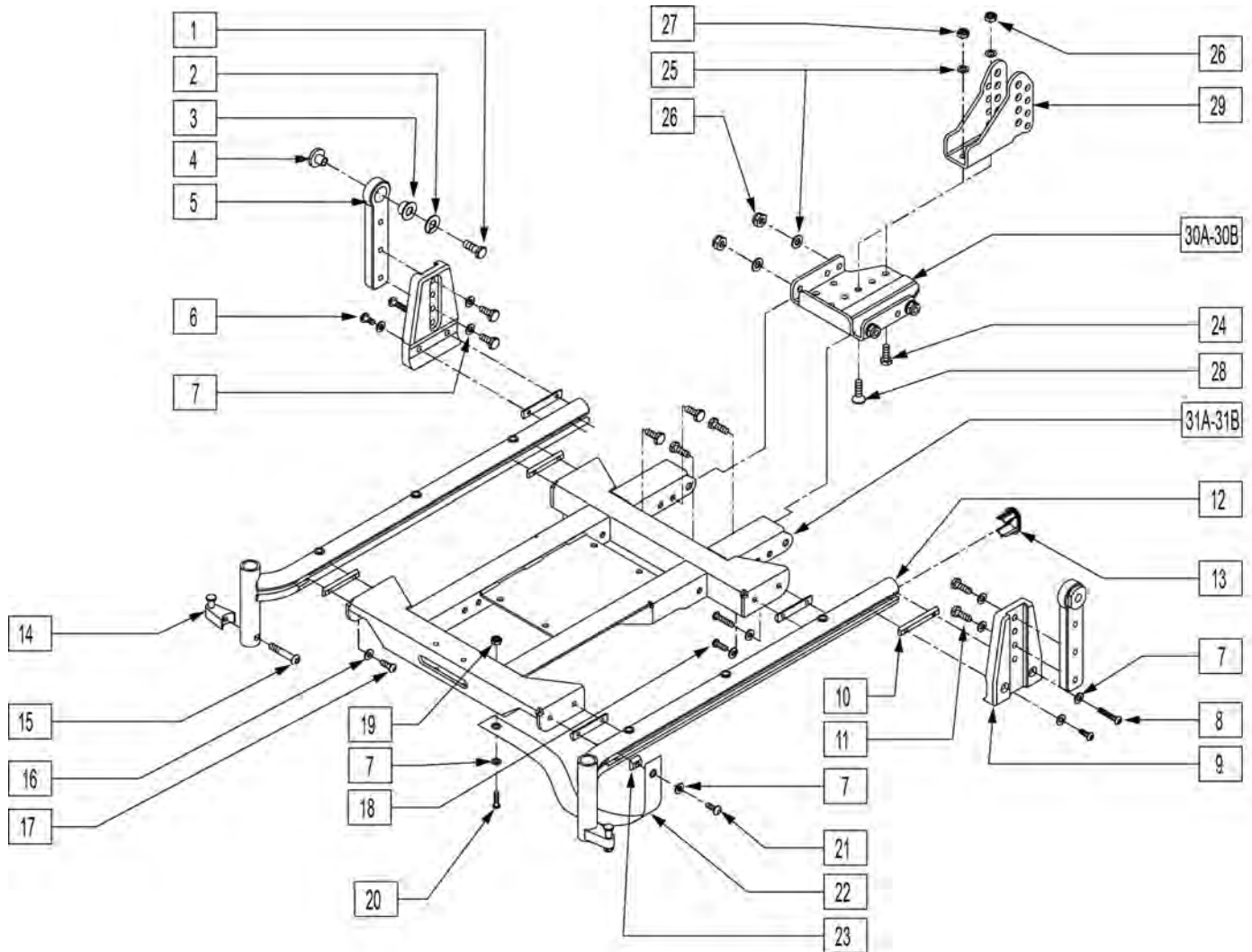
NOTE: IF RETROFITTING A TILT OR RECLINE ONTO AN EXISTING CHAIR PLEASE CONTACT SUNRISE MEDICAL TECHNICAL SUPPORT TO ENSURE ALL REQUIRED PARTS ARE PURCHASED.



Pos.	Item Number	Description
1	201263	3/8-16 NYLOCK NUT BLK ZINC
2	263140	3/8 WASHER FLAT
3A	881037	ACTUATOR ASSM 400LB S626
3B	880967	ACTUATOR ASSM 250 S626
4	226329	1/2 x 1-3/4 SOC C/S SHOULD BLK
5	261531	ACTUATOR THRUST WASHER
6	222103	5/16 AN5-20A HEX C/S
7	202111	5/16-24 NYLOCK NUT THICK BLK
8A	542032	TILT SEATING FIXED LINKAGE
8B	542041	TLT SEATING FXED LNKGE 2" LIFT

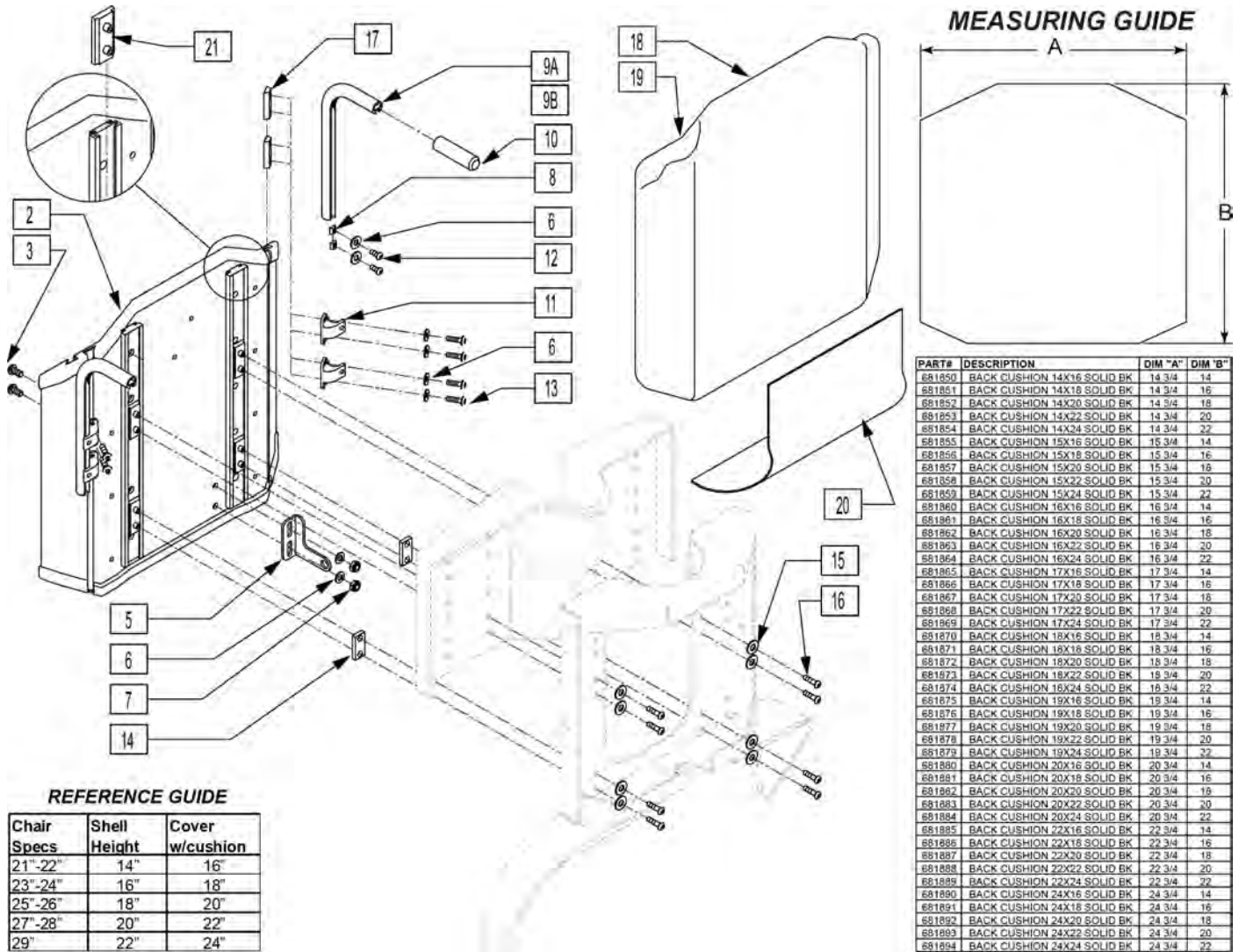
Pos.	Item Number	Description
9	560401	NYLINER BUSHING (10L7-F)
10	481321	UPPER SOLID LINKAGE PIVOT
11	330006	M12 x 1.75 FRNT SPPRT SEAT SCREW
12	210075	M12 x 1.75 HEX JAM NUT
13A	547101	LOWER ACT MOUNT ASSM 16 T&R 2"
13B	547102	LOWER ACT MOUNT ASSM 18 T&R 2"
13C	542098	LOWER ACT MOUNT ASSM 16 T & R
13D	542099	LOWER ACT MOUNT ASSM 18 T & R
14	221018	5/16-18 x 1.5 SHCS BLK W/PL
15	263100	5/16 AN WASHER FLAT
16	349595	BEARING IGUS 3/8 x 15/32 x 1/2
17	226181	5/16-18 x 1 BH C/S BLK
18	226331	3/8-16 x 2-1/4 SOC HD C/S BLK
19A	540870	REAR PLATE WLDMT 16" 626 T/R
19A	540871	REAR PLATE WLDMT 18" 626 T/R
19B	541029	HEIGHT PLATE WLDMT 16" REAR
19B	541030	HEIGHT PLATE WLDMT 18" REAR
20	235007	M8 x 1.25 x 16 BH C/S
21	483248	GLIDE BLOCK METRIC S626
22	202117	5/16-18 NYLOCK NUT THICK BLK
23A	883155	TILT GUIDE RAIL ASSM 250 LB
23B	883156	TILT GUIDE RAIL ASSM 400 LB
24	226078	1/4-20 x 3/4 BH C/S W/PATCH BLK
5	483209	ACTUATOR MOUNT SADDLE S626
26	138506	SPRING CLIP DRILLED
27	226060	1/4-20 x 3/8 BH C/S W/PATCH
6-8A,10	887980	TILT SEAT FIXED LINKAGE ASSM
6,7,8B,9,10	887981	TILT SEAT FIXED LINKG 2" ASSM
1-5	887990	ACT LINAK LA-30-175 W/HDWR
11,12,13A,14,15,25	887946	LWR ACT MNT SUB ASSM 16 TR 2"
11,12,13B,14,15,25	887947	LWR ACT MNT SUB ASSM 18 TR 2"
11,12,13C,14,15,25	887948	LWR ACT MNT SUB ASSM 16 TR
11,12,13D,14,15,25	887949	LWR ACT MNT SUB ASSM 18 TR

Note: effective on chairs with S/N Prefix S63A.



Pos.	Item Number	Description	Pos.	Item Number	Description
1	223121	3/8-16 x .75 HEX HD C/S W/PATCH	16	106944	WASHER FLAT THIN AN 1/4 ROHS
2	262141	3/8 LOCK WASHER	17	221012	1/4-28 x .44 SHCS BLK W/PL
3	349598	BEARING IGUS 5/8 x 3/4 x 1/2	18	226064	1/4-28 x 3/4 BH C/S BLK W/PTCH
4	481466	REC PIVOT BOSS	19	202300	1/4-28 NYLOCK NUT THIN BLK ZN
5	117829	REAR PIVOT POST ADJ	20	226247	1/4-28 x 5/8 B/H C/S BLACK G5
6	226064	1/4-28 x 3/4 BH C/S BLK W/PTCH	21	221092	1/4-28 x 7/16 BH CS BLK W/PTCH
7	106943	WASHER FLAT AN 1/4 ROHS	22	740142	SUPPORT STRAP T & R ACTUATOR
8	227110	1/4-28 x 1 BH C/S BLK ZN	23	481106-QU	1/4-28 CHANNEL NUT
9	542162	REAR PIVOT POST ADJ MOUNT	24	222230	5/16-18 x 3/4 HEX C/S G8
10	481419	1/4-28 CHANNEL NUT 1.75" SP	25	263100	5/16 AN WASHER FLAT
11	221097	1/4-28 x 5/8 HEX C/S BZ	26	202116	5/16-18 NYLOCK NUT THIN BLK
13	567003	END PLUG OVAL	27	202117	5/16-18 NYLOCK NUT THICK BLK
14	105787	PRSD A/A LATCH BLOCK NUT ASSM	28	226188	5/16-18 x 1 FH C/S
15	226218	5/16-18 x 1 3/4" BH C/S BLK	29	502270	PIVOT BRKT ADJ REAR

Pos.	Item Number	Description	Pos.	Item Number	Description
30A	505609	REAR LOWER MULTI CLEVI WLDMNT	12,15	660182S	FLRD SEAT RAIL ASSM LNG L S626
30B	505623	REAR LWR MLT CLVS MNT TRAY LRG	12,16	660183S	FLRD SEAT RAIL ASSM LNG R S626
31A	542500	14W TILT CHNNL WLDMT (.5) TUBE	1-6,8-11	885115	REAR PIVOT POST ADJ ASSM TR
31A	542501	15W TILT CHNNL WLDMT (.5) TUBE	16-3A,31A	885220	TILT CHNNL WLDMNT ASSM 14W STD
31A	542502	16W TILT CHNNL WLDMT (.5) TUBE	16-3A,31A	885221	TILT CHNNL WLDMNT ASSM 15W STD
31A	542503	17W TILT CHNNL WLDMT (.5) TUBE	16-3A,31A	885222	TILT CHNNL WLDMNT ASSM 16W STD
31A	542504	18W TILT CHNNL WLDMT (.5) TUBE	16-3A,31A	885223	TILT CHNNL WLDMNT ASSM 17W STD
31A	542505	19W TILT CHNNL WLDMT (.5) TUBE	16-3A,31A	885224	TILT CHNNL WLDMNT ASSM 18W STD
31A	542506	20W TILT CHNNL WLDMT (.5) TUBE	16-3A,31A	885225	TILT CHNNL WLDMNT ASSM 19W STD
31A	542507	22W TILT CHNNL WLDMT (.5) TUBE	16-3A,31A	885226	TILT CHNNL WLDMNT ASSM 20W STD
31A	542508	24W TILT CHNNL WLDMT (.5) TUBE	16-29,30B,31A	885227	TILT CHNNL WLDMNT ASSM 22W STD
31B	542530	TILT CHANNEL WLDMNT 14W LONG	16-29,30B,31A	885228	TILT CHNNL WLDMNT ASSM 24W STD
31B	542531	TILT CHANNEL WLDMNT 15W LONG	16-29,30A,31B	885229	TILT CHNNL WLDMNT ASSM 14W LNG
31B	542532	TILT CHANNEL WLDMNT 16W LONG	16-29,30A,31B	885230	TILT CHNNL WLDMNT ASSM 15W LNG
31B	542533	TILT CHANNEL WLDMNT 17W LONG	16-29,30A,31B	885231	TILT CHNNL WLDMNT ASSM 16W LNG
31B	542534	TILT CHANNEL WLDMNT 18W LONG	16-29,30A,31B	885232	TILT CHNNL WLDMNT ASSM 17W LNG
31B	542535	TILT CHANNEL WLDMNT 19W LONG	16-29,30A,31B	885233	TILT CHNNL WLDMNT ASSM 18W LNG
31B	542536	TILT CHANNEL WLDMNT 20W LONG	16-29,30A,31B	885234	TILT CHNNL WLDMNT ASSM 19W LNG
31B	542537	TILT CHANNEL WLDMNT 22W LONG	16-29,30A,31B	885235	TILT CHNNL WLDMNT ASSM 20W LNG
31B	542538	TILT CHANNEL WLDMNT 24W LONG	16-29,30B,31B	885236	TILT CHNNL WLDMNT ASSM 22W LNG
12,13	660180S	FLRD SEAT RAIL ASSM STD L S626	16-29,30B,31B	885237	TILT CHNNL WLDMNT ASSM 24W LNG
12,14	660181S	FLRD SEAT RAIL ASSM STD R S626			



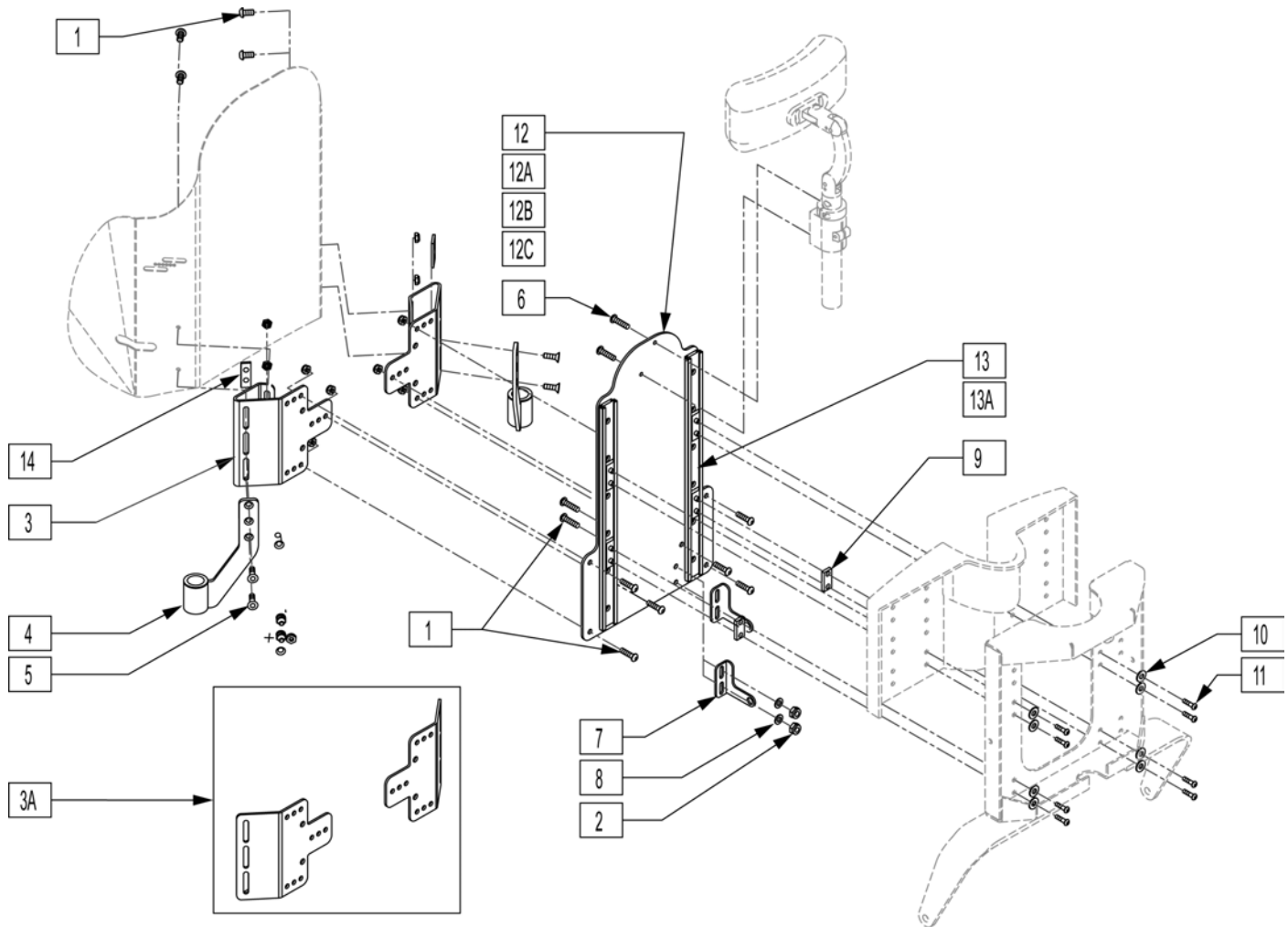
Pos.	Item Number	Description	Remarks
3	221091	1/4-28 x 1/2 BH C/S BLK W/PTCH	
5	102981	UPPER ACT CLEVIS MID SW	
6	106943	WASHER FLAT AN 1/4 ROHS	
7	202300	1/4-28 NYLOCK NUT THIN BLK ZN	
8	481106-QU	1/4-28 CHANNEL NUT	
10	920027	QUICKIE GRIP 1" W/INSTR	
9A,10	113364	PUSH HANDLES TUBE W/RCLN BCK	EACH - HANDLE 5" LONG
9B, 10	113365	PUSH HANDLES TB LNG W/RCLN BK	EACH -HANDLE 12.5" LONG
11	505553	CURVED BACK BRACKET S626	
12	221013	1/4-28 x 1/2 BH C/S BLK W/PTCH	
13	221012	1/4-28 x 7/16 BH CS BLK W/PTCH	
14	481471	GLIDE SPACER	
15	267021	#6 WASHER FLAT	
16	102257	BHCS M4 X .7 X 8 INORGANIC	
17	481419	1/4-28 CHANNEL NUT 1.75" SP	
20	680155	COVER SEAT/BACK GAP T&R	
21	505621	IGUS GLIDE - N	
18,19	681850	BACK CUSHION 14"X16" SOLID BK	Back Height 21-22"

Pos.	Item Number	Description	Remarks
18,19	681851	BACK CUSHION 14"X18" SOLID BK	Back Height 23-24"
18,19	681852	BACK CUSHION 14"X20" SOLID BK	Back Height 25-26"
18,19	681853	BACK CUSHION 14"X22" SOLID BK	Back Height 27-28"
18,19	681854	BACK CUSHION 14"X24" SOLID BK	Back Height 29"
18,19	681855	BACK CUSHION 15"X16" SOLID BK	Back Height 21-22"
18,19	681856	BACK CUSHION 15"X18" SOLID BK	Back Height 23-24"
18,19	681857	BACK CUSHION 15"X20" SOLID BK	Back Height 25-26"
18,19	681858	BACK CUSHION 15"X22" SOLID BK	Back Height 27-28"
18,19	681859	BACK CUSHION 15"X24" SOLID BK	Back Height 29"
18,19	681860	BACK CUSHION 16"X16" SOLID BK	Back Height 21-22"
18,19	681861	BACK CUSHION 16"X18" SOLID BK	Back Height 23-24"
18,19	681862	BACK CUSHION 16"X20" SOLID BK	Back Height 25-26"
18,19	681863	BACK CUSHION 16"X22" SOLID BK	Back Height 27-28"
18,19	681864	BACK CUSHION 16"X24" SOLID BK	Back Height 29"
18,19	681865	BACK CUSHION 17"X16" SOLID BK	Back Height 21-22"
18,19	681866	BACK CUSHION 17"X18" SOLID BK	Back Height 23-24"
18,19	681867	BACK CUSHION 17"X20" SOLID BK	Back Height 25-26"
18,19	681868	BACK CUSHION 17"X22" SOLID BK	Back Height 27-28"
18,19	681869	BACK CUSHION 17"X24" SOLID BK	Back Height 29"
18,19	681870	BACK CUSHION 18"X16" SOLID BK	Back Height 21-22"
18,19	681871	BACK CUSHION 18"X18" SOLID BK	Back Height 23-24"
18,19	681872	BACK CUSHION 18"X20" SOLID BK	Back Height 25-26"
18,19	681873	BACK CUSHION 18"X22" SOLID BK	Back Height 27-28"
18,19	681874	BACK CUSHION 18"X24" SOLID BK	Back Height 29"
18,19	681875	BACK CUSHION 19"X16" SOLID BK	Back Height 21-22"
18,19	681876	BACK CUSHION 19"X18" SOLID BK	Back Height 23-24"
18,19	681877	BACK CUSHION 19"X20" SOLID BK	Back Height 25-26"
18,19	681878	BACK CUSHION 19"X22" SOLID BK	Back Height 27-28"
18,19	681879	BACK CUSHION 19"X24" SOLID BK	Back Height 29"
18,19	681880	BACK CUSHION 20"X16" SOLID BK	Back Height 21-22"
18,19	681881	BACK CUSHION 20"X18" SOLID BK	Back Height 23-24"
18,19	681882	BACK CUSHION 20"X20" SOLID BK	Back Height 25-26"
18,19	681883	BACK CUSHION 20"X22" SOLID BK	Back Height 27-28"
18,19	681884	BACK CUSHION 20"X24" SOLID BK	Back Height 29"
18,19	681885	BACK CUSHION 22"X16" SOLID BK	Back Height 21-22"
18,19	681886	BACK CUSHION 22"X18" SOLID BK	Back Height 23-24"
18,19	681887	BACK CUSHION 22"X20" SOLID BK	Back Height 25-26"
18,19	681888	BACK CUSHION 22"X22" SOLID BK	Back Height 27-28"
18,19	681889	BACK CUSHION 22"X24" SOLID BK	Back Height 29"
18,19	681890	BACK CUSHION 24"X16" SOLID BK	Back Height 21-22"
18,19	681891	BACK CUSHION 24"X18" SOLID BK	Back Height 23-24"
18,19	681892	BACK CUSHION 24"X20" SOLID BK	Back Height 25-26"
18,19	681893	BACK CUSHION 24"X22" SOLID BK	Back Height 27-28"
18,19	681894	BACK CUSHION 24"X24" SOLID BK	Back Height 29"
1,2,4	887000	SLD BCK SHELL ASSM 14WX14T T/R	Back Height 21-22"
1,2,4	887001	SLD BCK SHELL ASSM 15WX14T T/R	Back Height 21-22"
1,2,4	887002	SLD BCK SHELL ASSM 16WX14T T/R	Back Height 21-22"
1,2,4	887003	SLD BCK SHELL ASSM 17WX14T T/R	Back Height 21-22"
1,2,4	887004	SLD BCK SHELL ASSM 18WX14T T/R	Back Height 21-22"
1,2,4	887005	SLD BCK SHELL ASSM 19WX14T T/R	Back Height 21-22"
1,2,4	887006	SLD BCK SHELL ASSM 20WX14T T/R	Back Height 21-22"
1,2,4	887007	SLD BCK SHELL ASSM 22WX14T T/R	Back Height 21-22"
1,2,4	887008	SLD BCK SHELL ASSM 24WX14T T/R	Back Height 21-22"
1,2,4	887009	SLD BCK SHELL ASSM 14WX16T T/R	Back Height 23-24"
1,2,4	887010	SLD BCK SHELL ASSM 15WX16T T/R	Back Height 23-24"
1,2,4	887011	SLD BCK SHELL ASSM 16WX16T T/R	Back Height 23-24"

Pos.	Item Number	Description	Remarks
1,2,4	887012	SLD BCK SHELL ASSM 17WX16T T/R	Back Height 23-24"
1,2,4	887013	SLD BCK SHELL ASSM 18WX16T T/R	Back Height 23-24"
1,2,4	887014	SLD BCK SHELL ASSM 19WX16T T/R	Back Height 23-24"
1,2,4	887015	SLD BCK SHELL ASSM 20WX16T T/R	Back Height 23-24"
1,2,4	887016	SLD BCK SHELL ASSM 22WX16T T/R	Back Height 23-24"
1,2,4	887017	SLD BCK SHELL ASSM 24WX16T T/R	Back Height 23-24"
1,2,4	887018	SLD BCK SHELL ASSM 14WX18T T/R	Back Height 25-26"
1,2,4	887019	SLD BCK SHELL ASSM 15WX18T T/R	Back Height 25-26"
1,2,4	887020	SLD BCK SHELL ASSM 16WX18T T/R	Back Height 25-26"
1,2,4	887021	SLD BCK SHELL ASSM 17WX18T T/R	Back Height 25-26"
1,2,4	887022	SLD BCK SHELL ASSM 18WX18T T/R	Back Height 25-26"
1,2,4	887023	SLD BCK SHELL ASSM 19WX18T T/R	Back Height 25-26"
1,2,4	887024	SLD BCK SHELL ASSM 20WX18T T/R	Back Height 25-26"
1,2,4	887025	SLD BCK SHELL ASSM 22WX18T T/R	Back Height 25-26"
1,2,4	887026	SLD BCK SHELL ASSM 24WX18T T/R	Back Height 25-26"
1,2,4	887027	SLD BCK SHELL ASSM 14WX20T T/R	Back Height 25-26"
1,2,4	887028	SLD BCK SHELL ASSM 15WX20T T/R	Back Height 27-28"
1,2,4	887029	SLD BCK SHELL ASSM 16WX20T T/R	Back Height 27-28"
1,2,4	887030	SLD BCK SHELL ASSM 17WX20T T/R	Back Height 27-28"
1,2,4	887031	SLD BCK SHELL ASSM 18WX20T T/R	Back Height 27-28"
1,2,4	887032	SLD BCK SHELL ASSM 19WX20T T/R	Back Height 27-28"
1,2,4	887033	SLD BCK SHELL ASSM 20WX20T T/R	Back Height 27-28"
1,2,4	887034	SLD BCK SHELL ASSM 22WX20T T/R	Back Height 27-28"
1,2,4	887035	SLD BCK SHELL ASSM 24WX20T T/R	Back Height 27-28"
1,2,4	887036	SLD BCK SHELL ASSM 14WX22T T/R	Back Height 29"
1,2,4	887037	SLD BCK SHELL ASSM 15WX22T T/R	Back Height 29"
1,2,4	887038	SLD BCK SHELL ASSM 16WX22T T/R	Back Height 29"
1,2,4	887039	SLD BCK SHELL ASSM 17WX22T T/R	Back Height 29"
1,2,4	887040	SLD BCK SHELL ASSM 18WX22T T/R	Back Height 29"
1,2,4	887041	SLD BCK SHELL ASSM 19WX22T T/R	Back Height 29"
1,2,4	887042	SLD BCK SHELL ASSM 20WX22T T/R	Back Height 29"
1,2,4	887043	SLD BCK SHELL ASSM 22WX22T T/R	Back Height 29"
1,2,4	887044	SLD BCK SHELL ASSM 24WX22T T/R	Back Height 29"

DEEP CONTOUR RECLINE BACKREST ASSEMBLY

[10/2011]



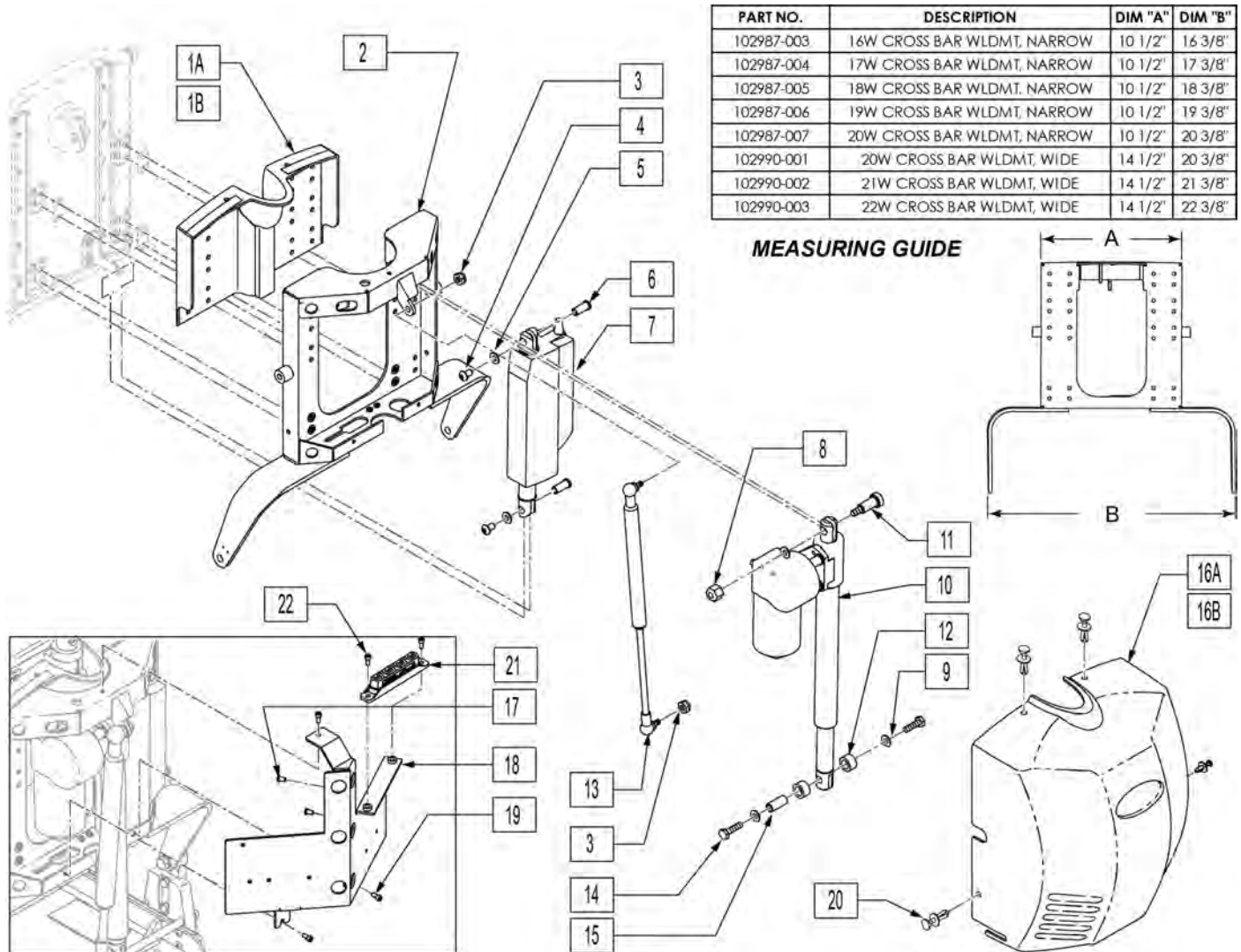
Pos.	Item Number	Description	Remarks
1	226075	1/4-28 x 1/2 SOC HD C/S BLK	
2	202300	1/4-28 NYLOCK NUT THIN BLK ZN	
3A	505944	SPPRT BCK DP CNTR EAR PLATE	
3B	505976	REAR SPRRT ARMREST MNT BRCKT	
4	542029	REAR ARMREST MOUNT WLDMNT	
5	226076	1/4-28 x 1/2 FH C/S W/PATCH	
6	221091	1/4-28 x 1/2 BH C/S BLK W/PTCH	
7	102981	UPPER ACT CLEVIS MID SW	
8	106943	WASHER FLAT AN 1/4 ROHS	
9	481471	GLIDE SPACER	
10	267021	#6 WASHER FLAT	
11	102257	BHCS M4 X .7 X 8 INORGANIC	
12A	505940	BCKRST SPRRT SP CNTR PLT 20 x19	
12B	505941	BCK SPRT SP CNT PLT 17-18-9 x19	
12C	505942	BCK SPRT SP CNT PLT 15-16 x19	
12D	505943	BCKRST SPRRT SP CNTR PLT 14 x18	
13A	885040	IGUS GLIDE RAIL ASSM 12	
13B	885041	IGUS GLIDE RAIL ASSM 14	
14	481108-QU	1/4-28 CHANNEL NUT-2 HOLE	
15	505621	IGUS GLIDE - N	

Pos.	Item Number	Description	Remarks
1-11,12A,13A,14	888020	DP CNTR RCL BCK PLT ASSM 14	
1-11,12B,13A,14	888021	DP CNTR RCL BCK PLT ASSM	(15" -16")
1-11,12C,13A,14	888022	DP CNTR RCL BCK PLT ASSM	(17"-19")
1-11,12D,13A,14	888023	DP CNTR RCL BCK PLT ASSM	(20" -22")

RECLINE WITH POWER SHEER BACK ASSM

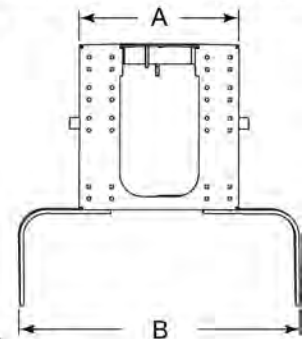
(04/10/2019)

Note: When replacing the CROSS BAR WELDMT refer to Measuring Guide to ensure proper fit.



PART NO.	DESCRIPTION	DIM "A"	DIM "B"
102987-003	16W CROSS BAR WLDMT, NARROW	10 1/2"	16 3/8"
102987-004	17W CROSS BAR WLDMT, NARROW	10 1/2"	17 3/8"
102987-005	18W CROSS BAR WLDMT, NARROW	10 1/2"	18 3/8"
102987-006	19W CROSS BAR WLDMT, NARROW	10 1/2"	19 3/8"
102987-007	20W CROSS BAR WLDMT, NARROW	10 1/2"	20 3/8"
102990-001	20W CROSS BAR WLDMT, WIDE	14 1/2"	20 3/8"
102990-002	21W CROSS BAR WLDMT, WIDE	14 1/2"	21 3/8"
102990-003	22W CROSS BAR WLDMT, WIDE	14 1/2"	22 3/8"

MEASURING GUIDE

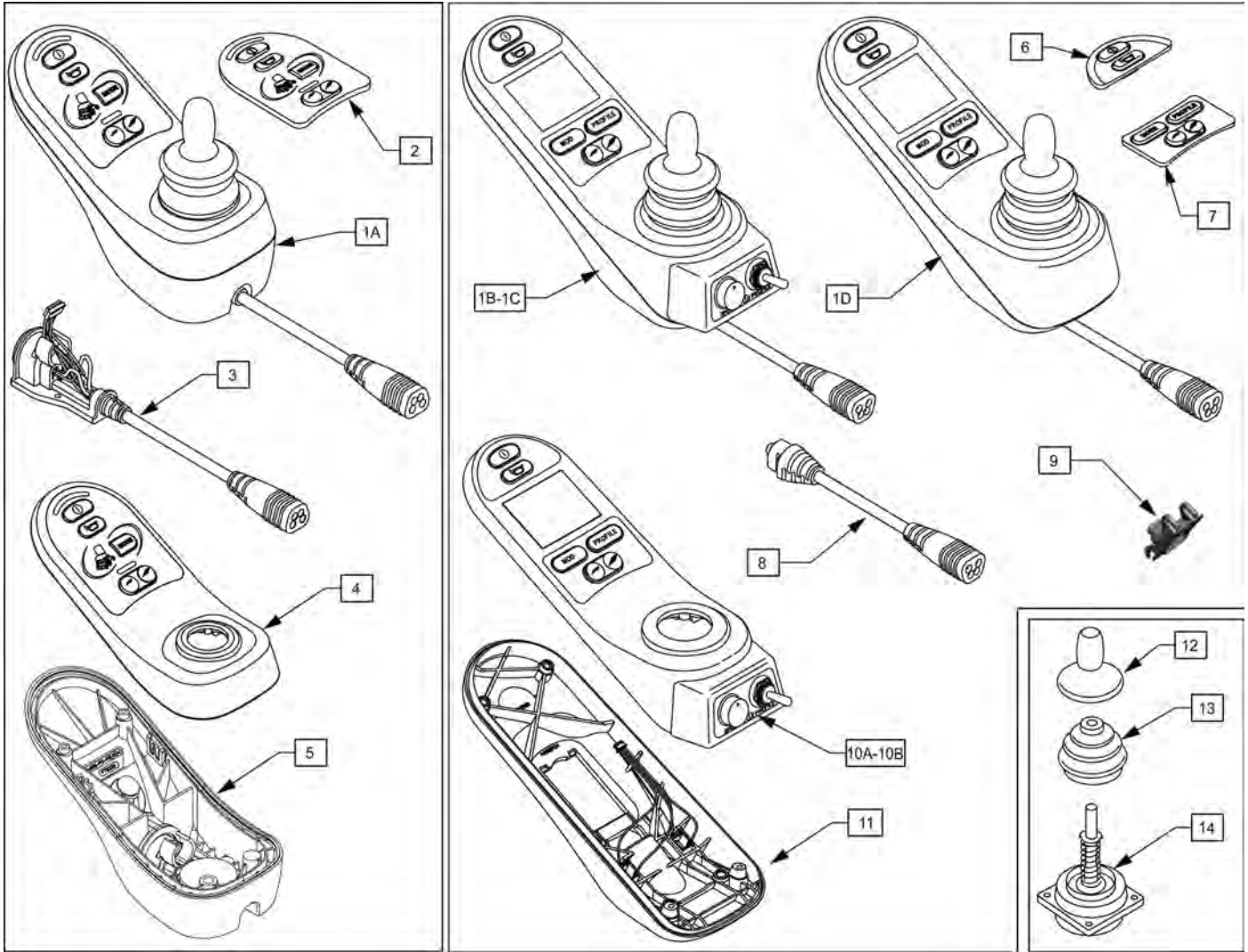


Pos.	Item Number	Description	Remarks
1A	104371	BACKREST INNER SHROUD SMALL	Fits when Dim A is 10 1/2"
1B	104372	BACKREST INNER SHROUD LARGE	Fits when Dim A is 14 1/2"
2	102987-003	16W CROSS BAR WLDMT, NARROW	
2	102987-004	17W CROSS BAR WLDMT, NARROW	
2	102987-005	18W CROSS BAR WLDMT, NARROW	
2	102987-006	19W CROSS BAR WLDMT, NARROW	
2	102987-007	20W CROSS BAR WLDMT, NARROW	from 6/6/2007 to present
2	102990-001	20W CROSS BAR WLDMT, WIDE	from 7/7/2008 to present
2	102990-002	21W CROSS BAR WLDMT, WIDE	
2	102990-003	22W CROSS BAR WLDMT, WIDE	
3	202116	5/16-18 NYLOCK NUT THIN BLK	
4	226236	5/16-18 x 1/2 B/H C/S BLK	
5	263100	5/16 AN WASHER FLAT	
6	505615	ACT LINK PIN	

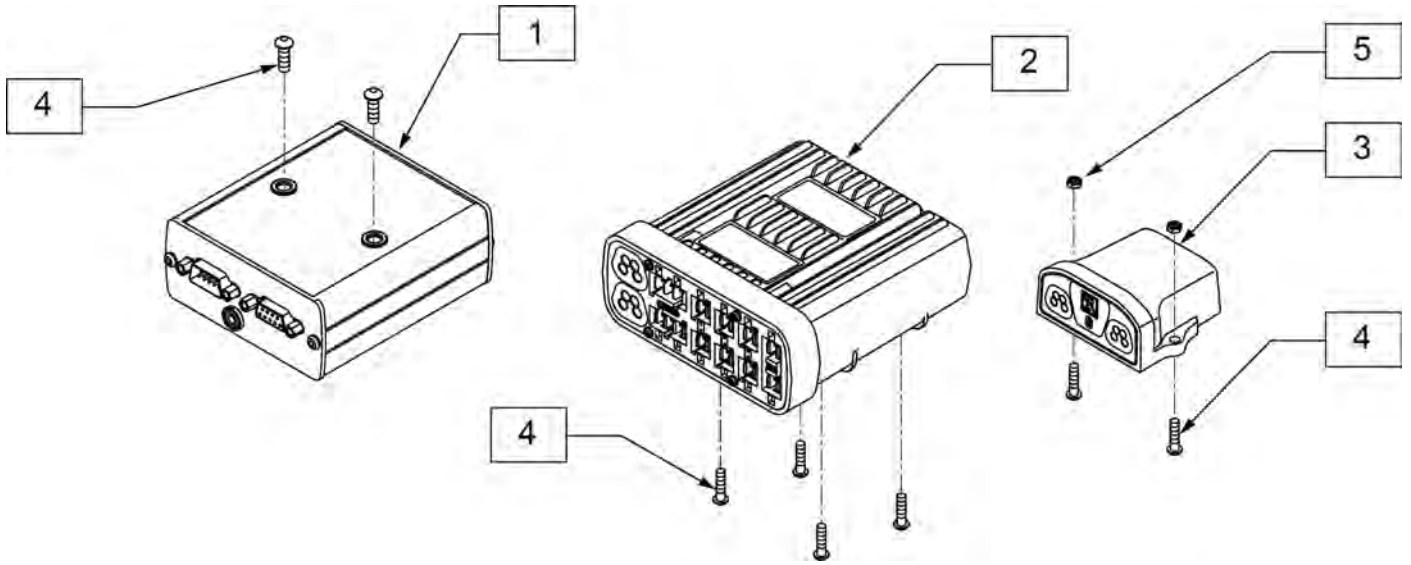
Pos.	Item Number	Description	Remarks
7	012038	ACT LINAK LA-12 9OD CLVS DLPHI	SHEER ACTUATOR
8	201263	3/8-16 NYLOCK NUT BLK ZINC	
9	263140	3/8 WASHER FLAT	
10	108843	ACT LINAK LA-30-150	RECLINE ACTUATOR
11	341571	1/2" SHOULDER BOLT	
12	560030	REAR ACT THRUST WASHER	
13	342088	GAS SPRING S626 T/R	
14	223120	3/8-16 x .625 HEX HD C/S W/PATCH	
15	506033	LOWER RECLINE ACT PIVOT	
16A,20	103950	SHROUD POWER RECLINE ASSM	W/ Velcro, Fits when Dim A is 10 1/2"
16B,20	103951	SHROUD WIDE PWR RECLINE WIDE	W/ Velcro, Fits when Dim A is 14 1/2"
17	102257	BHCS M4 X .7 X 8 INORGANIC	
18	108295	BRKT CONTROLLER RNET	
19	227000	8-32 X 3/8 SOC C/S BLK	
20	011402	FASTENER SHROUD	
21	108312	DISTRIBUTION BLOCK	
22	103185-006	BHCSM6X1X16FULLNP	

NOTE: JOYSTICK POST (ITEM 15) ACCEPTS JOYSTICK KNOBS THAT HAVE A 1/4" DIAMETER MATING HOLE.

Note: please see attachment in informations panel for additional joystick component information and to determine appropriate replacement parts.



Pos.	Item Number	Description	Remarks
1A	108207	JYSTCK LED JSM	LED
1B	108210	JYSTCK CJSM PT TGL	Color Display; w/jacks, pot & toggle
1C	116525	JYSTCK MONOCHROME	no toggle or speed knob
1D	108208	JYSTCK CJSM	w/jacks
2	109749	KEYPAD RNET JSM LED	
3	109750	CABLE ASSM RNET JSM LED	
4	112414	CASE TOP LED ASSY	
5	112413	CASE BASE LED ASSY	
6	109751	KEYPAD RNET JSM FRONT	
7	109752	KEYPAD RNET JSM REAR	
8	109846	CABLE ASSY	
9	109845	CHARGER SOCKET ASSY	
10A	112357	CASE CJSM TOP ASSY	with Jacks, Pot & Toggle only
10B	117991	RNET JSM TOP ASSY MONO	without Pot & Toggle
11	112356	CASE CJSM BOTTOM ASSY	
12	138169	JOYSTICK KNOB	
13	105930	JOYSTICK BOOT	
14	105936	JOYSTICK	

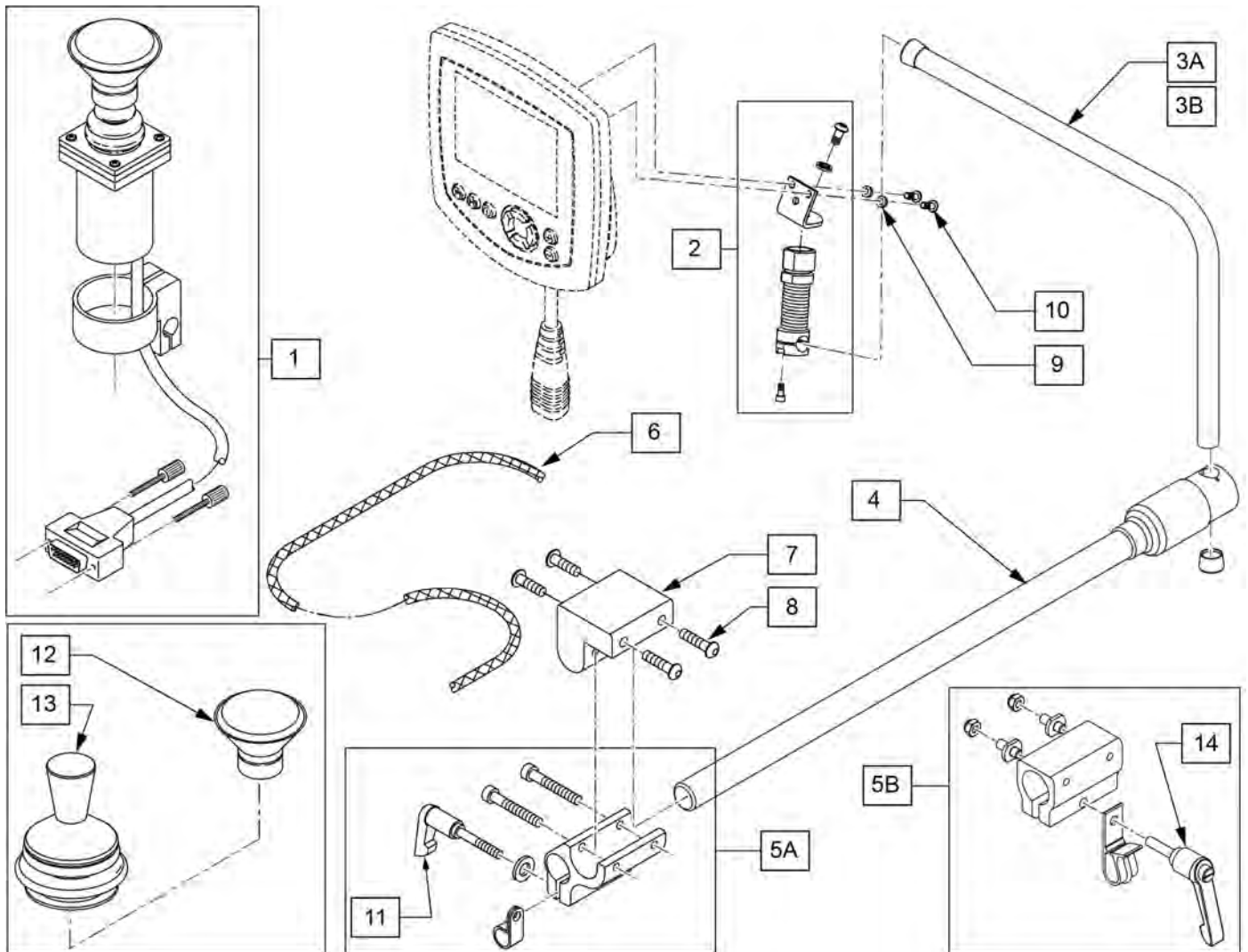


Pos.	Item Number	Description
1	108217B	MDLE OUTPUT IND BOX
2	122194	MODULE INTEL ST W/O LIGHTS
3	108218	MDLE BLUETOOTH IND BOX
4	103184-003	BHCS M5X0.8X10 FULLPL
5	220121	NUT HEX NYLOCK M5 BLACK

NOTE: JOYSTICK POST ACCEPTS JOYSTICK KNOBS THAT HAVE A 3/16" DIAMETER MATING HOLE.

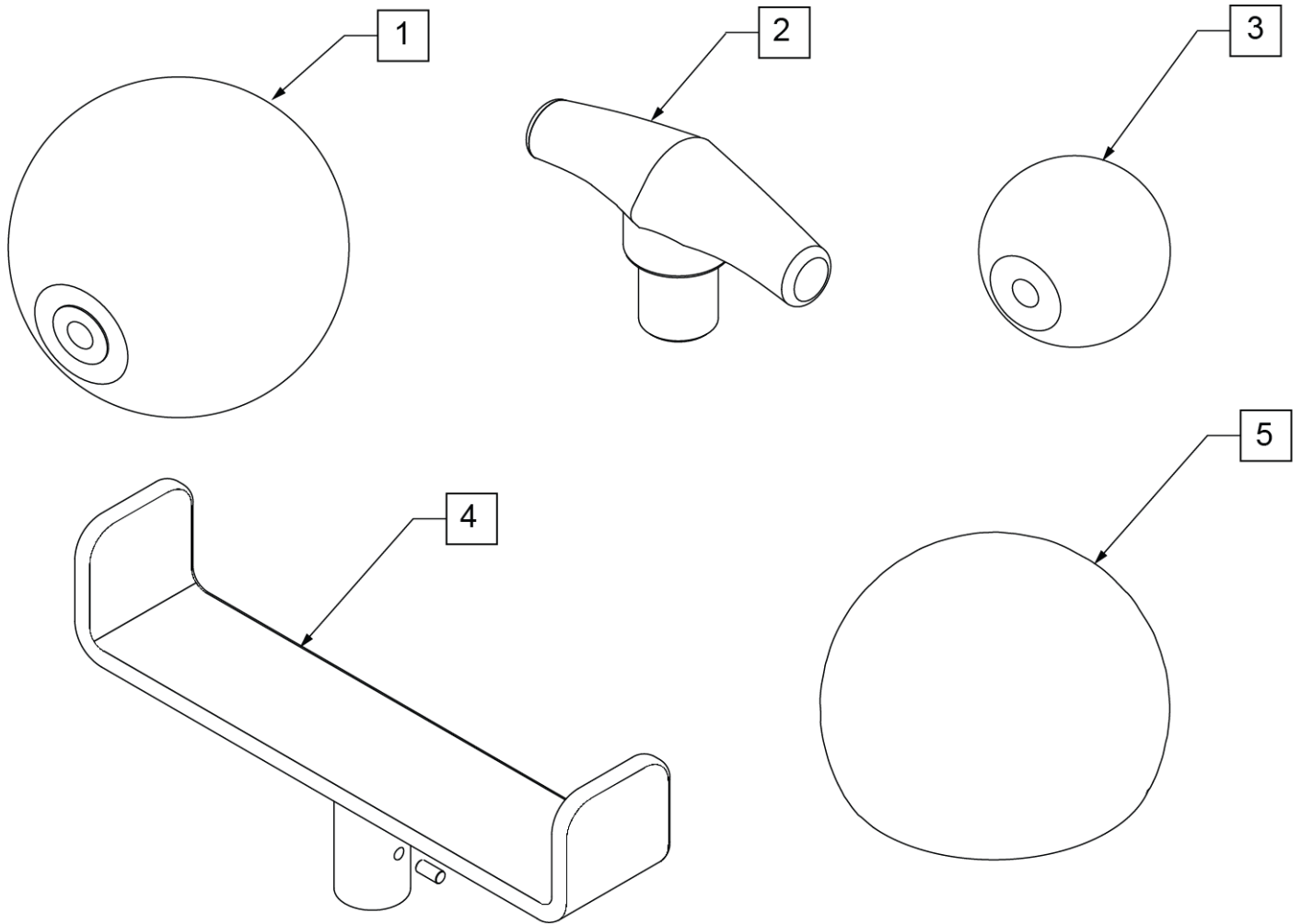
Note: OMNI Enhanced Display has been obsoleted and can be replaced by the new OMNI 2; in addition mounting hardware may be different so please review carefully what items are needed.

Note: if replacing a Omni with the Omni 2 and chair is equipped with a CTRL+5 and the chair was built prior to 11/15/18, the CTRL+5 will also need to be replaced; please contact Customer Service for further details.



Pos.	Item Number	Description	Remarks
1	139705	PROP CHIN CONTROL W/ MINI JS	
2	886976	USCM SPRING MOUNT AS	
3A	521098	ADJ DISPLAY ARM "L" SHORT(USCM)	Used w/ OMNI only
3B	521097	ADJ DISPLAY ARM "L" (USCM)	Used w/ OMNI & Compact Joystick
4	111190	MOUNT ARM DISPLAY	
5A	012433	CNTRL ARM CLMP UNIVERSAL ASSM	Used w/ Trad Rehab Armrest
5B	159406	CNTRLR CLMP ARM ASSM RND	Used w/ ASAP Seating Armrest
6	180351	BRAIDED SLEEVING 24"	
7	551001	CONTROLLER MOUNT BLOCK	USED w/ 5A on Power Recline
8	222297	10-24 X 3/8 SOC BH C/S W/PTCH	
9	261204	#10 AN WASHER .063	
10	013143	BHCS M5 X .8 X 14 BLK W/PL	
11	349024	HNDL 10-32 X 3/4 C/A P1/P3/P5	
12	D4000	CHINCUP QTRONIX	
13	138154	KNOB&PROTECTOR D10AB JOYSTICK	
14	011049	HANDLE ADJ MODERN M5 X 20 STUD	

Note: Optional Joystick Handles not available on Heavy Duty Joystick.

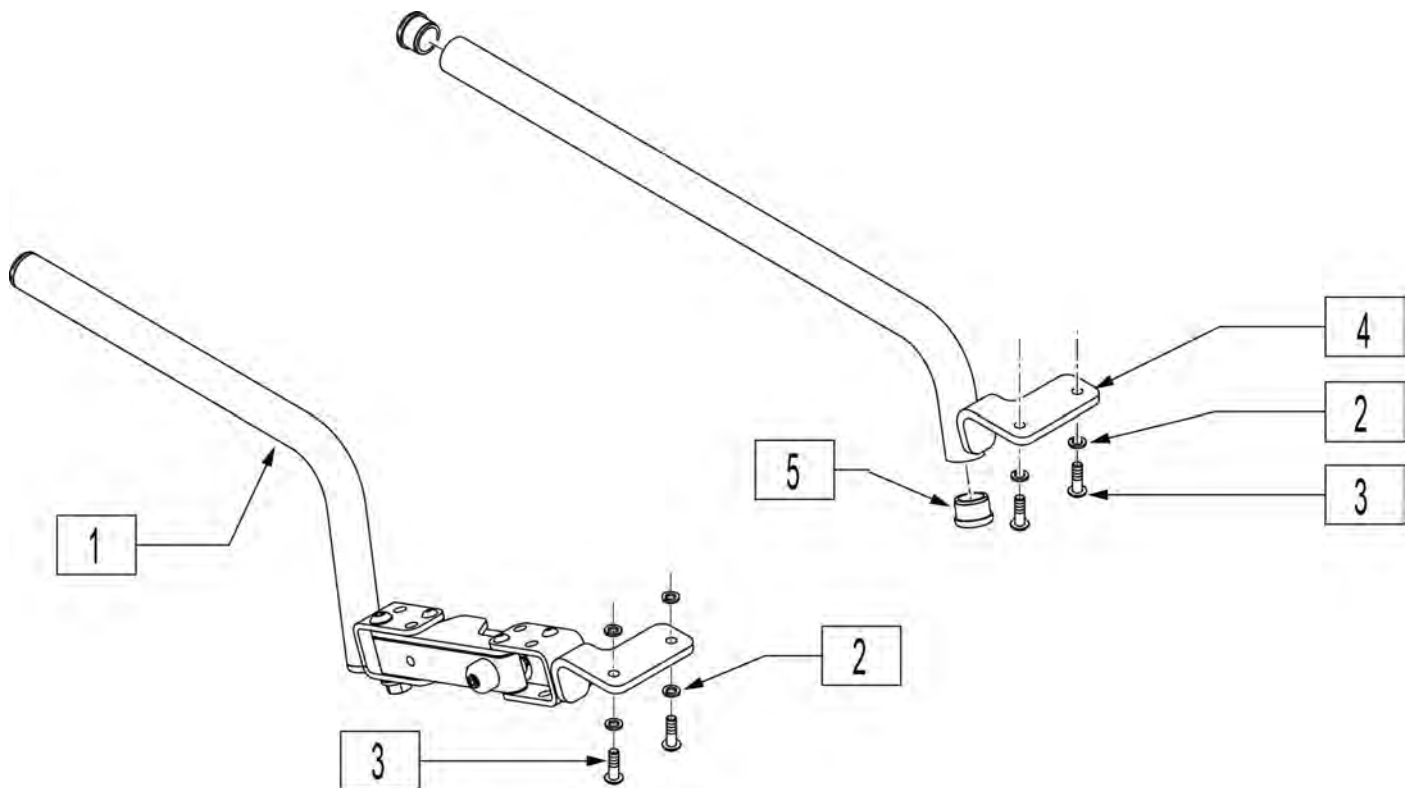


Pos.	Item Number	Description
1	138165	J/S KNOB BALL HANDLE (SOFT)
2	138167	J/S KNOB T-BAR
3	138166	J/S KNOB BALL HANDLE (SOLID)
4	013113	GOALPOST JOYSTICK EXT
5	6003447	ALL-ROUND JYSTK BALL (CHIN)

Note: Available on Pulse Chairs after S/N pls-101550.

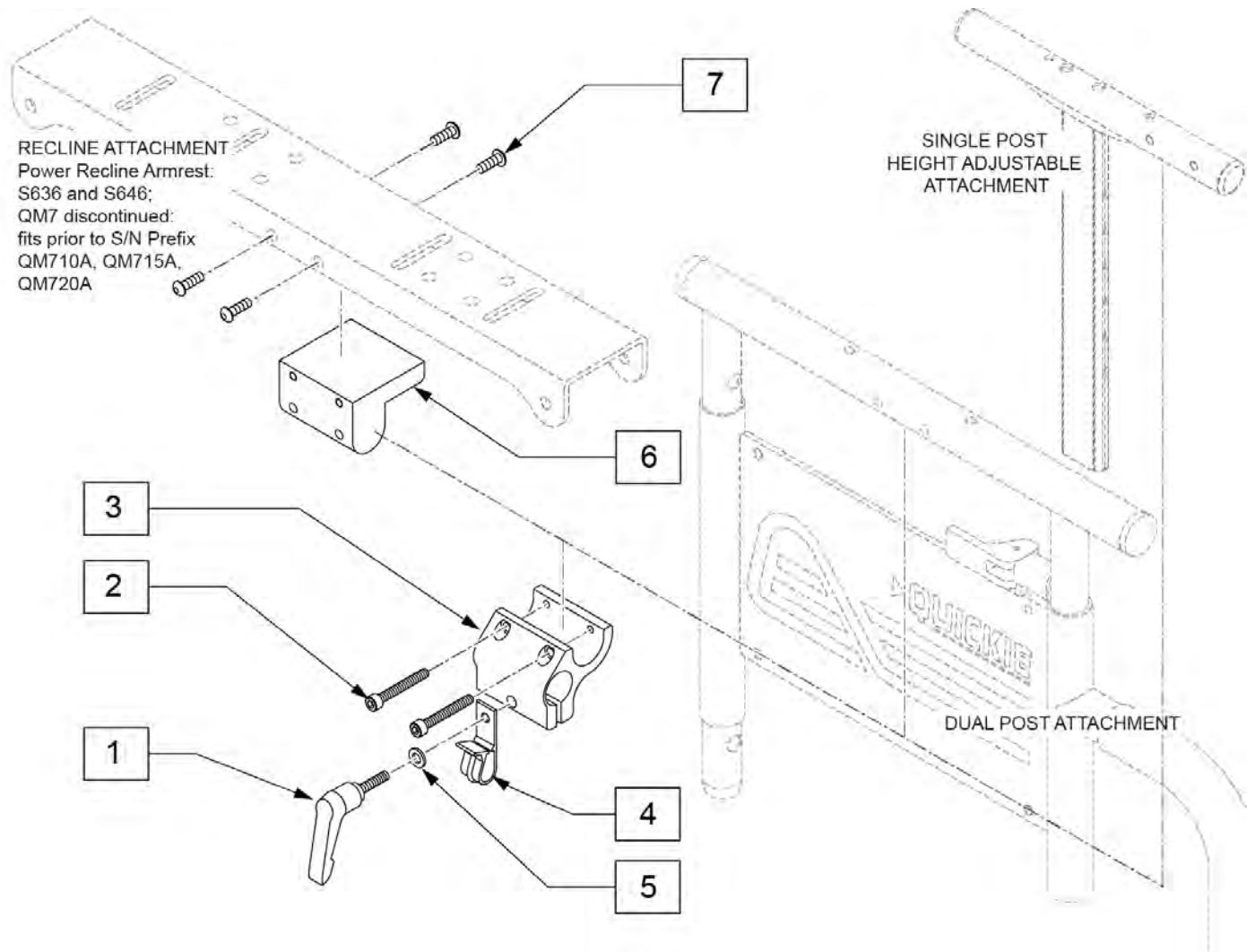
Note: Available on Rhythm Chairs after S/N RTMA-106838.

Note: Joystick arms shown fit Vr2 & Rnet Joysticks on Rehab Armrest only, will not fit Catilever Armrest.



Pos.	Item Number	Description	Remarks
1	882496	S/A ARM VSI R ASSM	Right-Swing-away
1	882497	S/A ARM VSI L ASSM	Left-Swing-away
2	261524	#10 WASHER LOCK SS	
3	226024-QU	10-32 x 7/8 BH C/S BLK	
4	542131	VSI FIX MNTNG BLK WLDMNT RT	Right- Fixed
4	542132	VSI FIX MNTNG BLK WLDMNT LEFT	Left-Fixed
5	560761	3/4" INSERT PLUG .049 (18GA)	

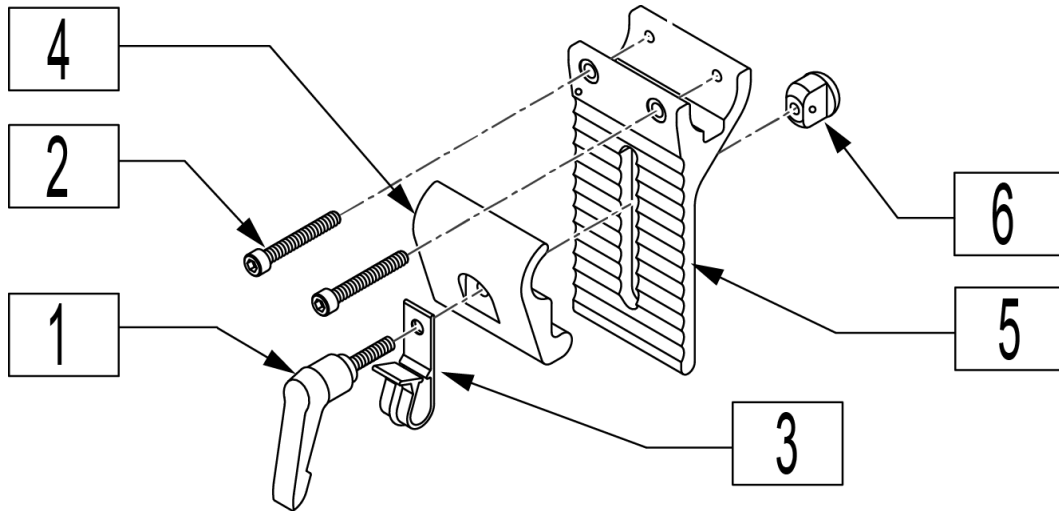
Note: used when OMNI is ordered on a Quickie Pulse or QM7 Series.



Pos.	Item Number	Description
1	349024	HNDL 10-32 x 3/4 C/A P1/P3/P5
2	226037	10-32 x 1 3/8 SOC C/S BLK
3	501750	CONTROL ARM CLAMP
4	560268	QUICK RELEASE CLIP
5	261204	#10 AN WASHER .063
6	551001	CONTROLLER MOUNT BLOCK
7	222297	10-24 X 3/8 SOC BH C/S W/PTCH
1-5	920713	CONTROL ARM CLAMP ASSM

HEIGHT ADJ CLAMP FOR ROUND ARM JOYSTICK MOUNT (SPHA & DUAL POST ARMRESTS) (06/2017)

Note: for OMNI Joystick Mount order 920713 Control Arm Clamp Assembly (Fixed, not Height Adjustable).

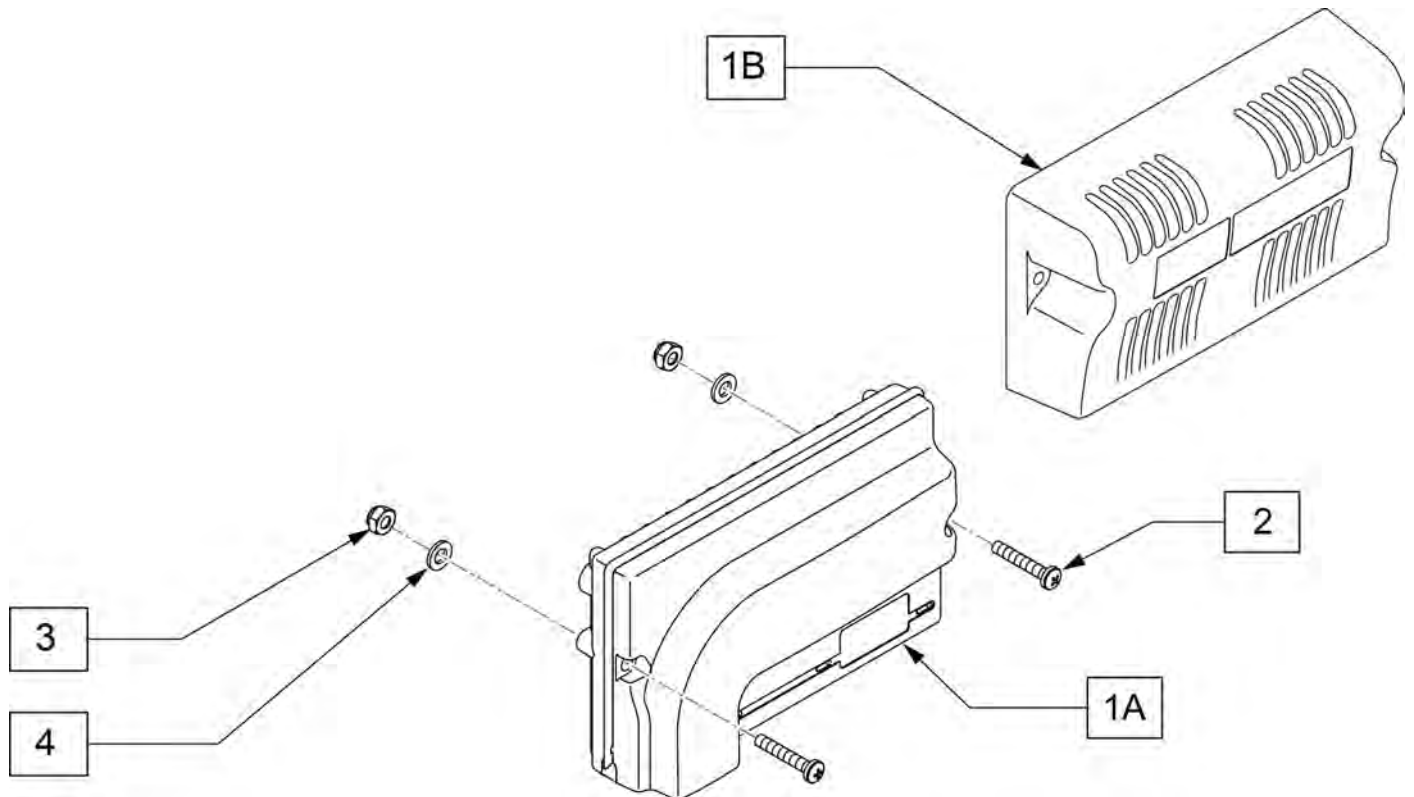


Pos.	Item Number	Description
1	349024	HNDL 10-32 x 3/4 C/A P1/P3/P5
2	226037	10-32 x 1 3/8 SOC C/S BLK
3	560268	QUICK RELEASE CLIP
4	505767	ADJUSTABLE REMOTE MOUNT
5	505766	ADJUSTABLE CLAMP OUTER
6	200139	SLIDING NUT
1-6	920738	HT ADJ MOUNT ASSM STD

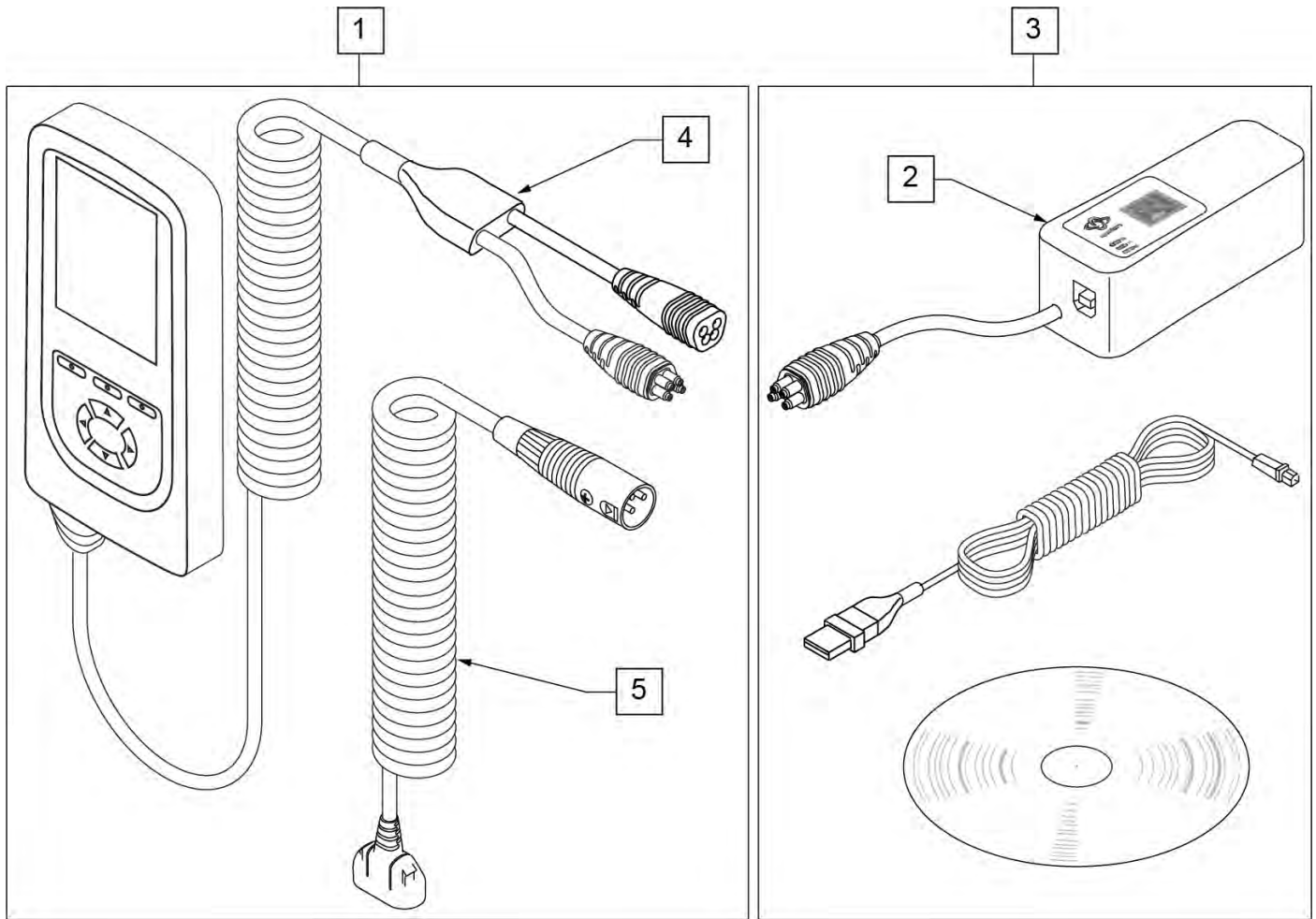
Note: Serial number required for replacement.

Note: Assignable buttons software update occurred on chairs after S/N S63A-143142; if assignable buttons is desired a new controller is required.

Note: if replacing a 90 amp Controller on RNET or VR2 electronics prior to 6/1/12, the following PART NUMBERS are required: (qty 1) 121900 MERCURY SWITCH, (qty 1) 505951 MERCURY SWITCH BRACKET, (qty 2) 106935 NYLOCK NUT, (qty 2) ZIP TIES, (qty 2) 221093 1/4 x 28 BOLTS, (qty 2) 106943 FLAT WASHERS.



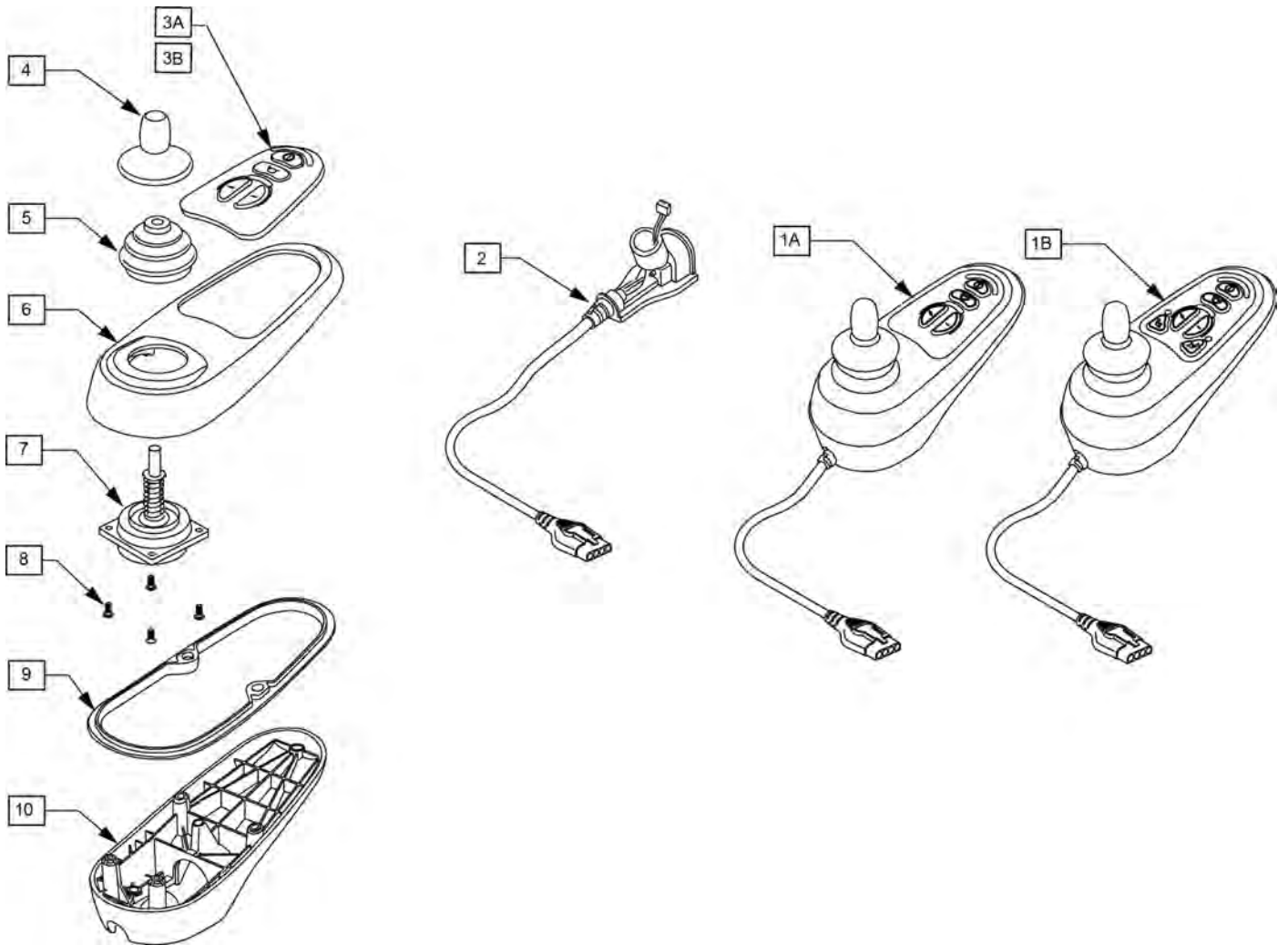
Pos.	Item Number	Description	Remarks
1A	108219	CNTRLR EL PM90	used on 5 & 6.5 MPH motor packages n/a with assignable buttons
1B	123966	CNTRL PM 120	used on 8.5 MPH motor packages & for assignable buttons
2	226034	10-32 X 1 3/4 BH C/S BLK	
3	200100-QU	10-32 NYLOCK NUT	
4	455031-QU	#10 AN WASHER .032 SS	



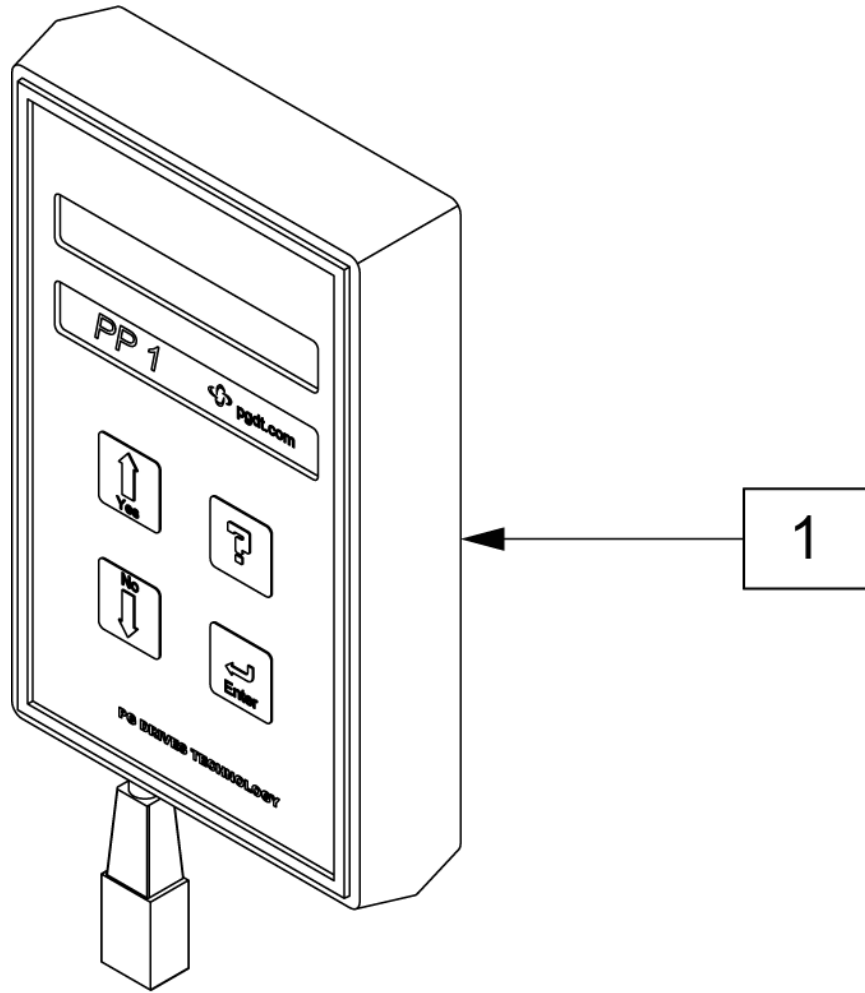
Pos.	Item Number	Description	Remarks
1	115207	DIAGNOSTIC TEST TOOL R-NET/VR2	
2	108531	DONGLE R-NET PROGRAMING DEALER	
3	108532	PC PROGRAMMER SOFTWARE	PC not included
4	111423	CABLE DTT RNET	
5	115211	HARNESS DIAG TEST TOOL NEUTRIK	

NOTE: JOYSTICK POST (ITEM 7) ACCEPTS JOYSTICK KNOBS THAT HAVE A 1/4" DIAMETER MATING HOLE.

Note: please see attachment in informations panel for additional joystick component information and to determine appropriate replacement parts.

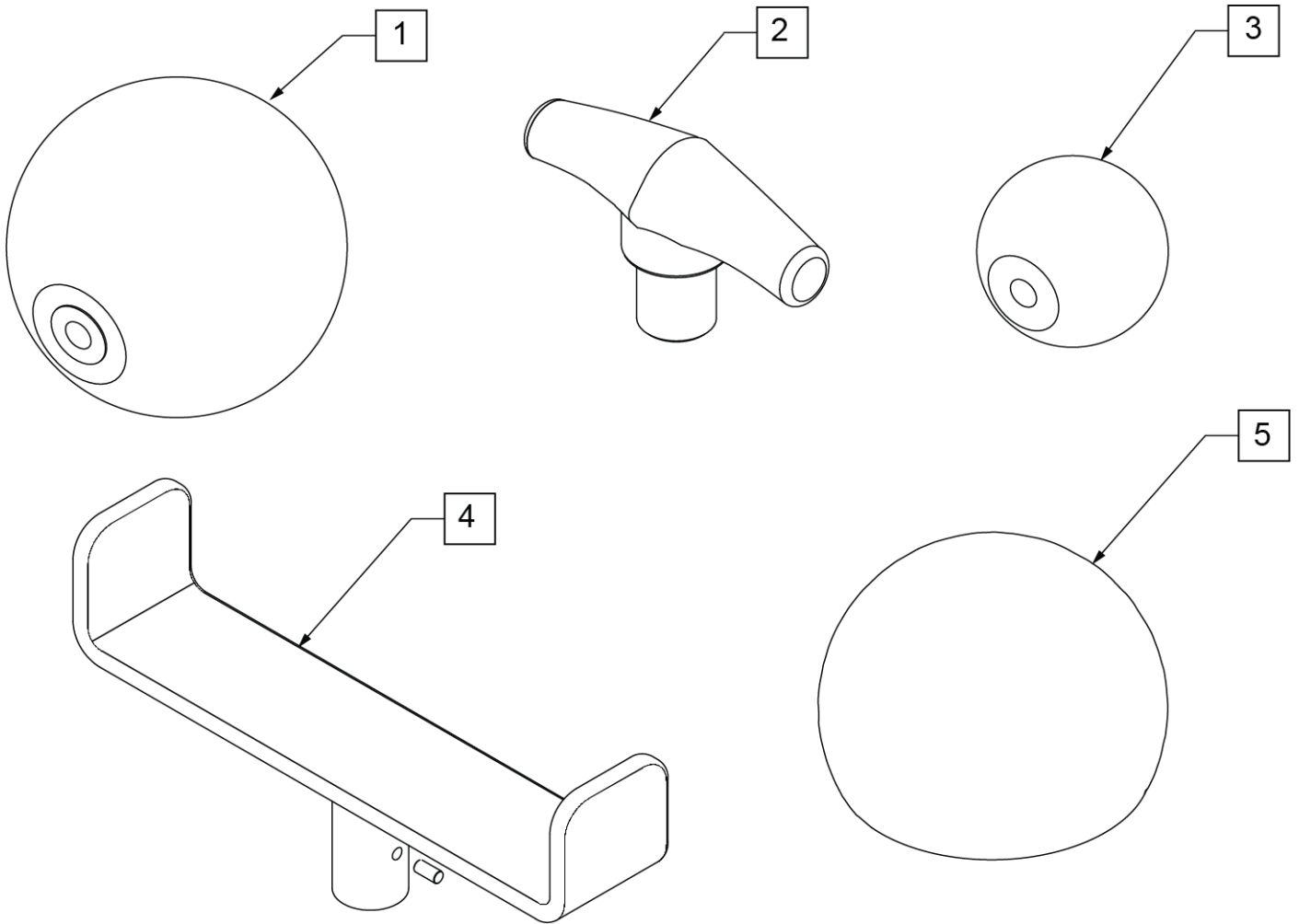


Pos.	Item Number	Description	Remarks
1A	105375	VR2 JOYSTICK 4 BUTTON	STD Joystick (Used when Dual Toggle is picked)
1B	105376	VR2 JOYSTICK 6 BUTTON	Thru Drive Joystick
2	105937	JOYSTICK CABLE	
3A	105938	KEYPAD 4 KEY	
3B	105939	KEYPAD 6 KEY	
4	138169	VSI JOYSTICK HANDLE	
5	105930	JOYSTICK GAITER	
6	105945	MOLDED TOP	
7	105936	JOYSTICK	
8	105947	SHCS M3X14 TORX	
9	105946	RUBBER SEAL JOYSTICK	
10	105940	MOLDED BOTTOM	



Pos.	Item Number	Description
1	QTRX	PROGRAMMING PAD QTRONIX

Note: Optional Joystick Handles not available on Heavy Duty Joystick.

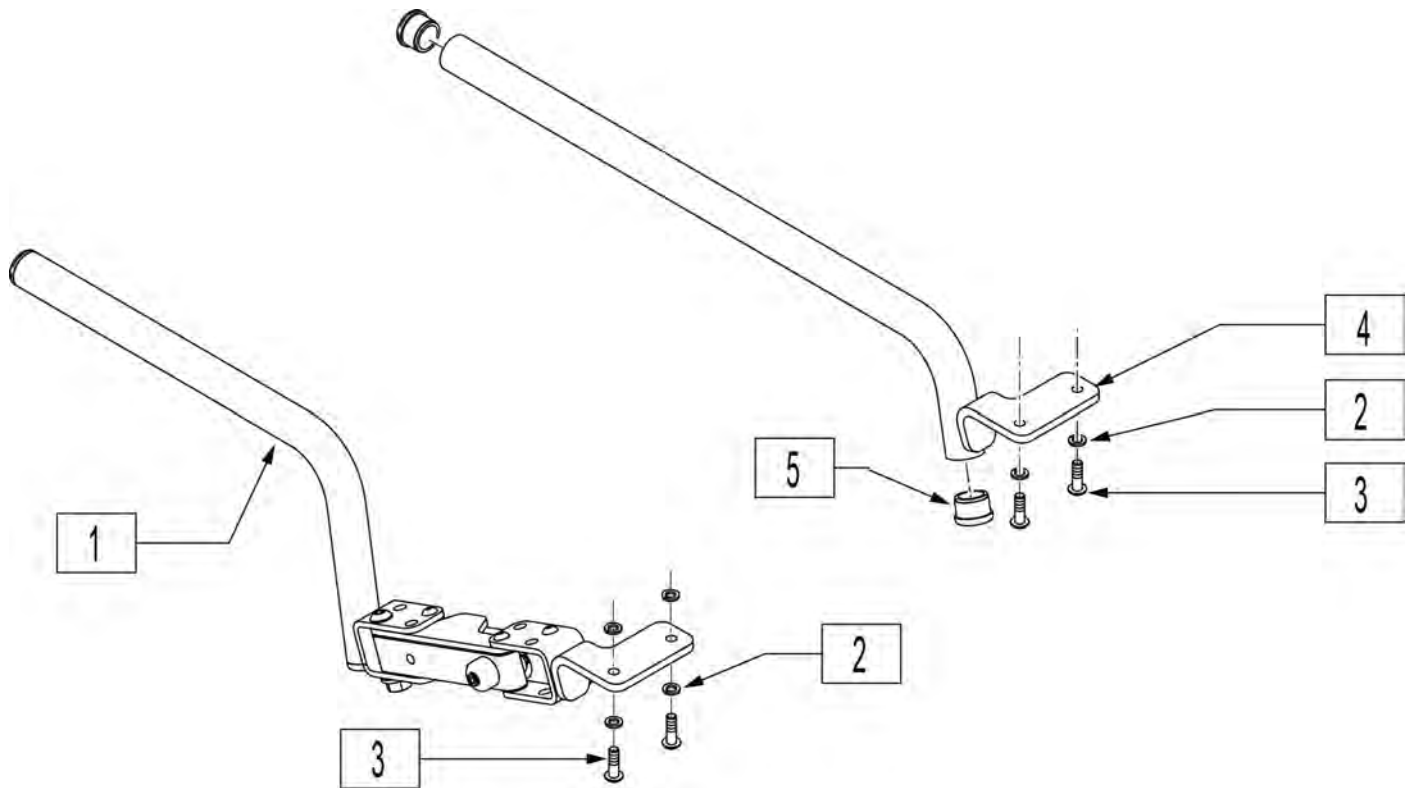


Pos.	Item Number	Description
1	138165	J/S KNOB BALL HANDLE (SOFT)
2	138167	J/S KNOB T-BAR
3	138166	J/S KNOB BALL HANDLE (SOLID)
4	013113	GOALPOST JOYSTICK EXT
5	6003447	ALL-ROUND JYSTK BALL (CHIN)

Note: Available on Pulse Chairs after S/N pls-101550.

Note: Available on Rhythm Chairs after S/N RTMA-106838.

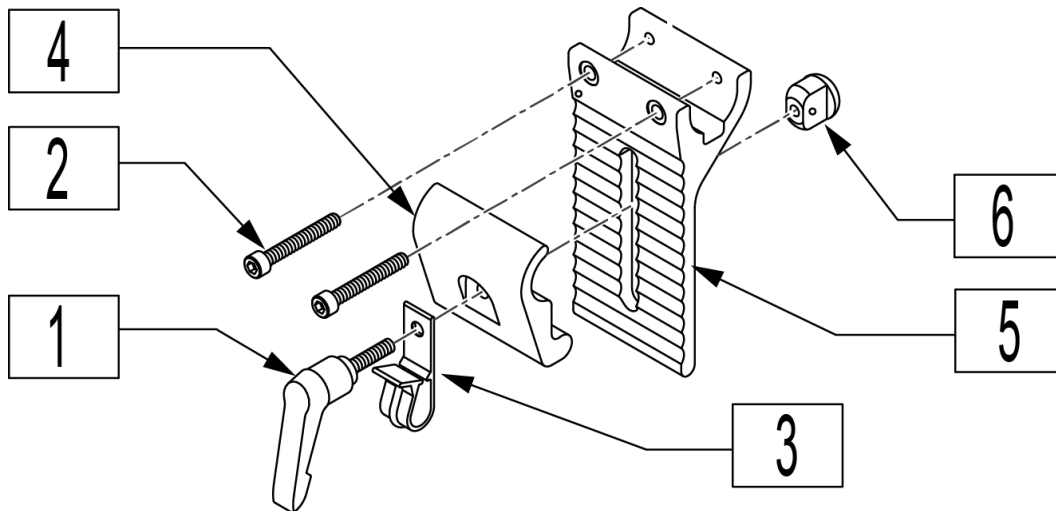
Note: Joystick arms shown fit Vr2 & Rnet Joysticks on Rehab Armrest only, will not fit Catilever Armrest.



Pos.	Item Number	Description	Remarks
1	882496	S/A ARM VSI R ASSM	Right-Swing-away
1	882497	S/A ARM VSI L ASSM	Left-Swing-away
2	261524	#10 WASHER LOCK SS	
3	226024-QU	10-32 x 7/8 BH C/S BLK	
4	542131	VSI FIX MNTNG BLK WLDMNT RT	Right- Fixed
4	542132	VSI FIX MNTNG BLK WLDMNT LEFT	Left-Fixed
5	560761	3/4" INSERT PLUG .049 (18GA)	

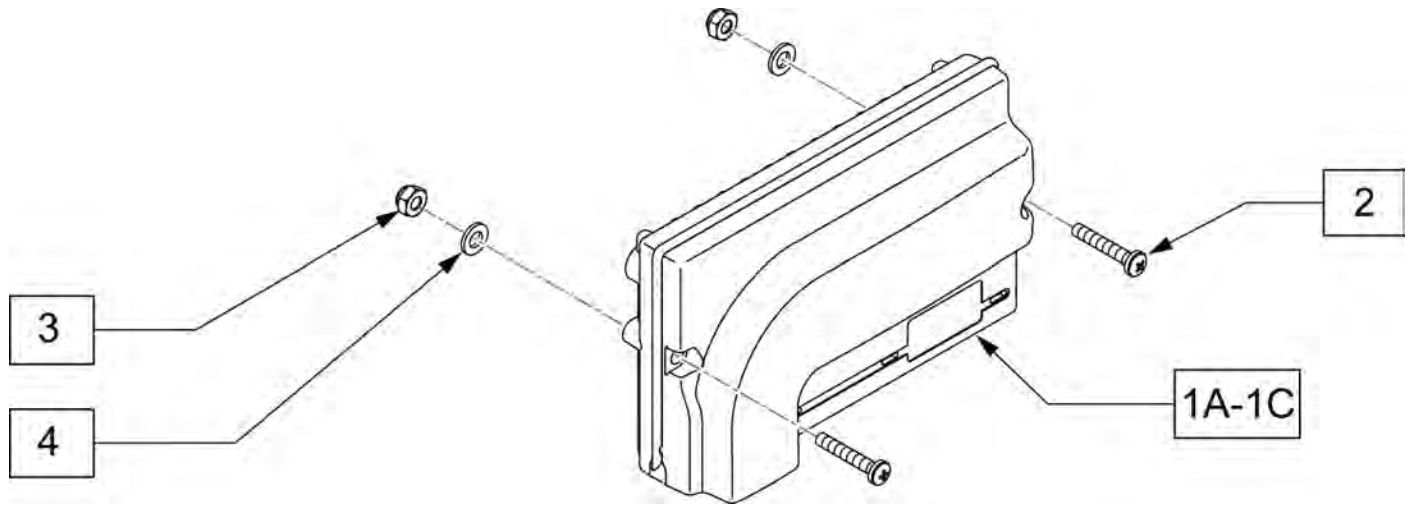
HEIGHT ADJ CLAMP FOR ROUND ARM JOYSTICK MOUNT (SPHA & DUAL POST ARMRESTS) (06/2017)

Note: for OMNI Joystick Mount order 920713 Control Arm Clamp Assembly (Fixed, not Height Adjustable).

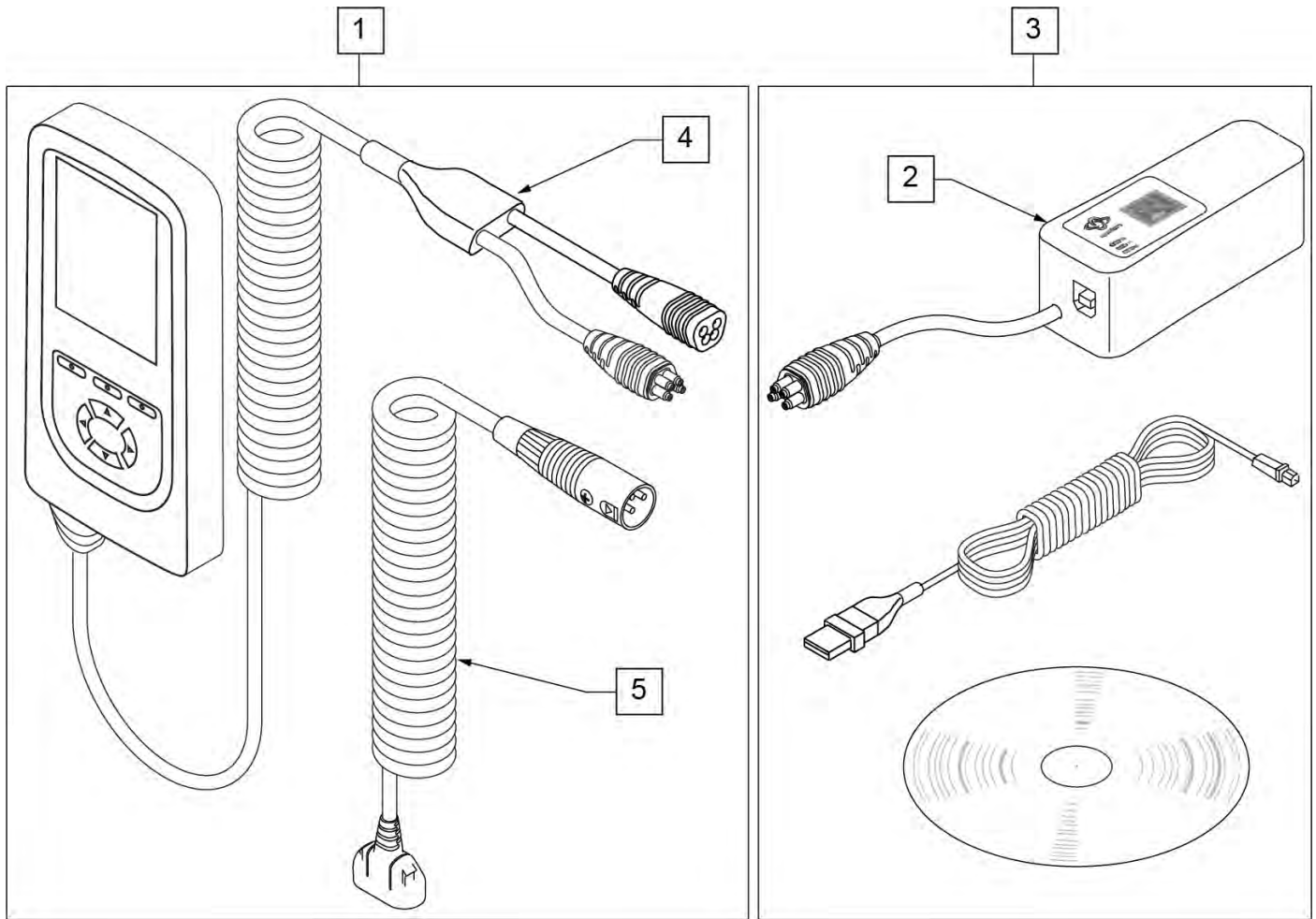


Pos.	Item Number	Description
1	349024	HNDL 10-32 x 3/4 C/A P1/P3/P5
2	226037	10-32 x 1 3/8 SOC C/S BLK
3	560268	QUICK RELEASE CLIP
4	505767	ADJUSTABLE REMOTE MOUNT
5	505766	ADJUSTABLE CLAMP OUTER
6	200139	SLIDING NUT
1-6	920738	HT ADJ MOUNT ASSM STD

Note: Assignable buttons software update occurred on chairs after S/N S63A-143142; if assignable buttons is desired a new controller is required.

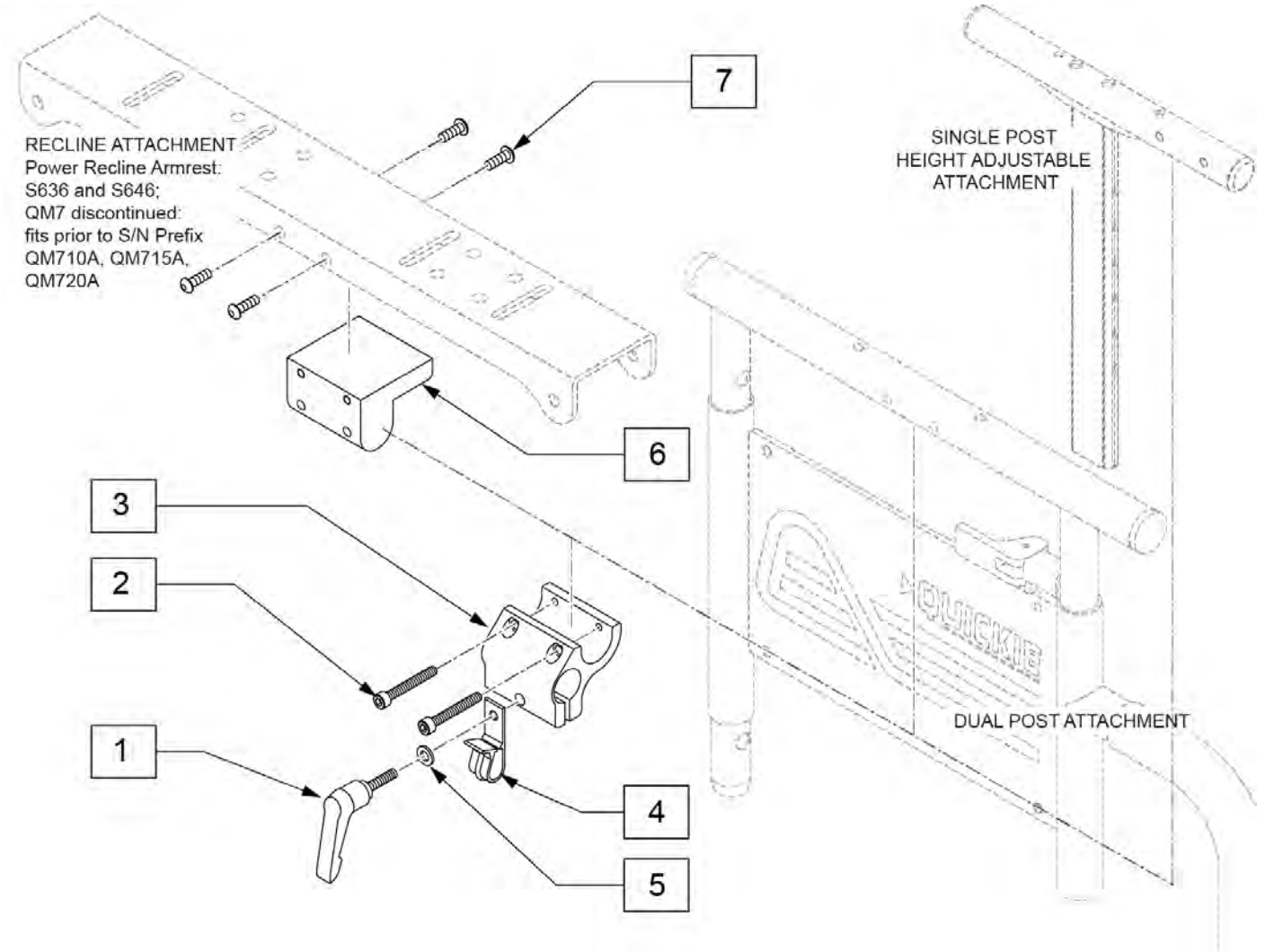


Pos.	Item Number	Description	Remarks
1A	116209	CONTROLLER VR2 S636 STANDARD	Toggle drive only
1B	116210	CONTROLLER VR2 S636 DRIVE-THRU	Drive Thru 0-250 lbs
1C	116260	CNTRLR VR2 S636 DRIVE-THRU HD	Drive Thru 251-300 lbs
2	226034	10-32 X 1 3/4 BH C/S BLK	
3	200100-QU	10-32 NYLOCK NUT	
4	455031-QU	#10 AN WASHER .032 SS	



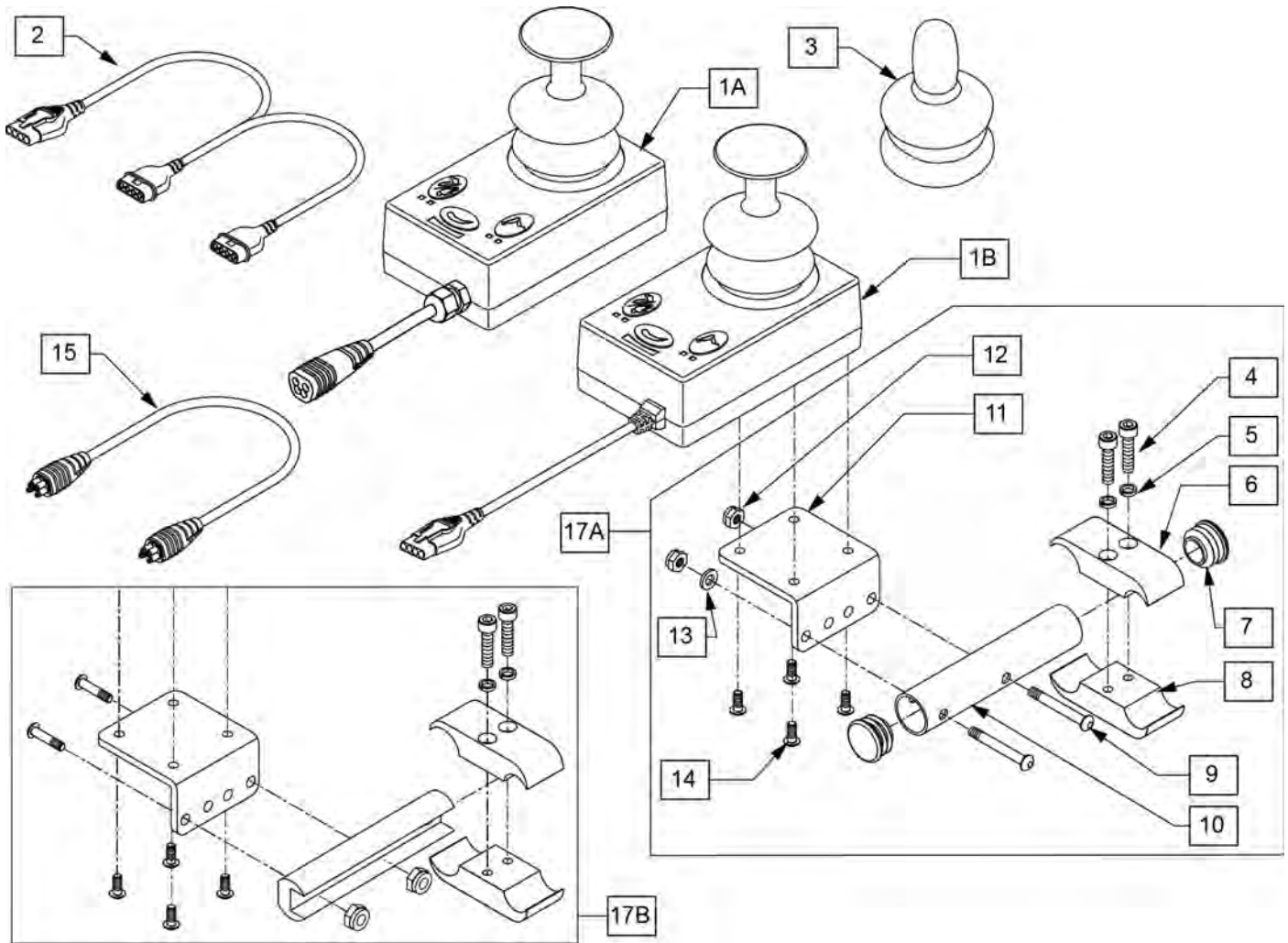
Pos.	Item Number	Description	Remarks
1	115207	DIAGNOSTIC TEST TOOL R-NET/VR2	
2	108531	DONGLE R-NET PROGRAMING DEALER	
3	108532	PC PROGRAMMER SOFTWARE	PC not included
4	111423	CABLE DTT RNET	
5	115211	HARNESS DIAG TEST TOOL NEUTRIK	

Note: used when OMNI is ordered on a Quickie Pulse or QM7 Series.

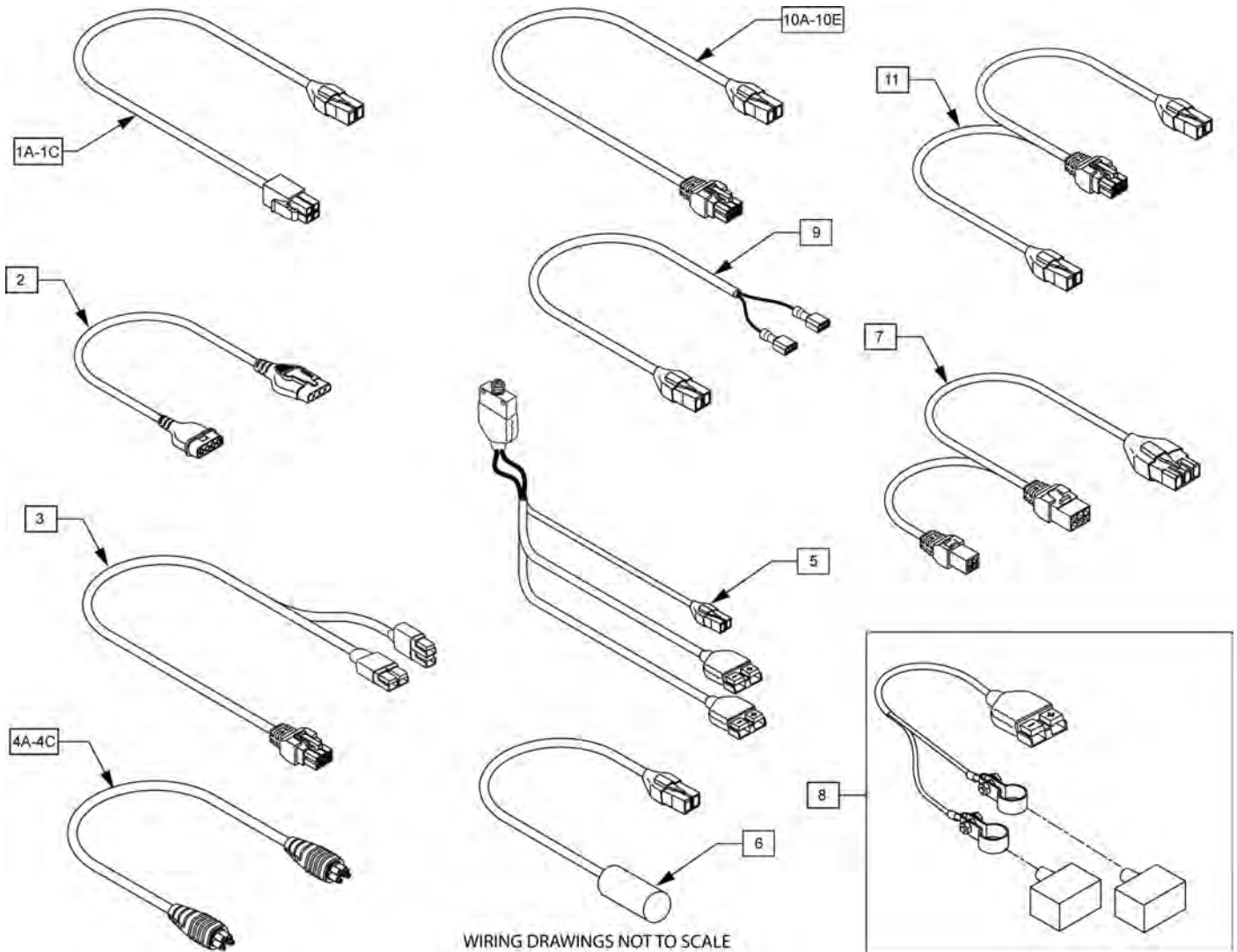


Pos.	Item Number	Description
1	349024	HNDL 10-32 x 3/4 C/A P1/P3/P5
2	226037	10-32 x 1 3/8 SOC C/S BLK
3	501750	CONTROL ARM CLAMP
4	560268	QUICK RELEASE CLIP
5	261204	#10 AN WASHER .063
6	551001	CONTROLLER MOUNT BLOCK
7	222297	10-24 X 3/8 SOC BH C/S W/PTCH
1-5	920713	CONTROL ARM CLAMP ASSM

Note: Not compatible on chairs with Captains Seat.



Pos.	Item Number	Description	Remarks
2	102359	HARNESS VR2 BUS SPLITTER	Used w/ VR2 Electronics Only
3	138169	VSI JOYSTICK HANDLE	
4	107032	1/4-28 X 1 SOC C/S BLK	
5	262114	1/4 WASHER HI COLLAR LOCK ZN	
6	550477	CLAMP 2 1/4" RECESS BLK	
7	561062	1" INSERT PLUG .065 RIBS	
8	550576	CLAMP 2 1/4" THREADED BLK	
9	102262-006	BHCS M6 X 1 X 40 INORGANIC	
10	102660	ATTND CNTRL MNT TB	
11	505533	ATTENDANT CTRL MOUNT BRACKET	
12	210084	NUT HEX NYLOCK M6 BLACK	
13	250104	WASHER FLAT M6	
14	013143	BHCS M5 X .8 X 14 BLK W/PL	
15	108316-050	HARNESS R-NET BUS 500MM	Used w/ Rnet Electronics Only
17A	102661	ATTND CNTRL MNT	Used w/ ASAP Seating only
17B	108281	ATTND CNTRL MNT	Used w/ ASAP2, Trad Rehab & Power Recline Seating Only
1A,3,15	110845	RNET ATTENDANT JOYSTICK	Used w/ Rnet Electronics Only
1B,2,3	102175	VR2 ATTENDANT JOYSTICK W/CABL	Used w/ VR2 Electronics Only

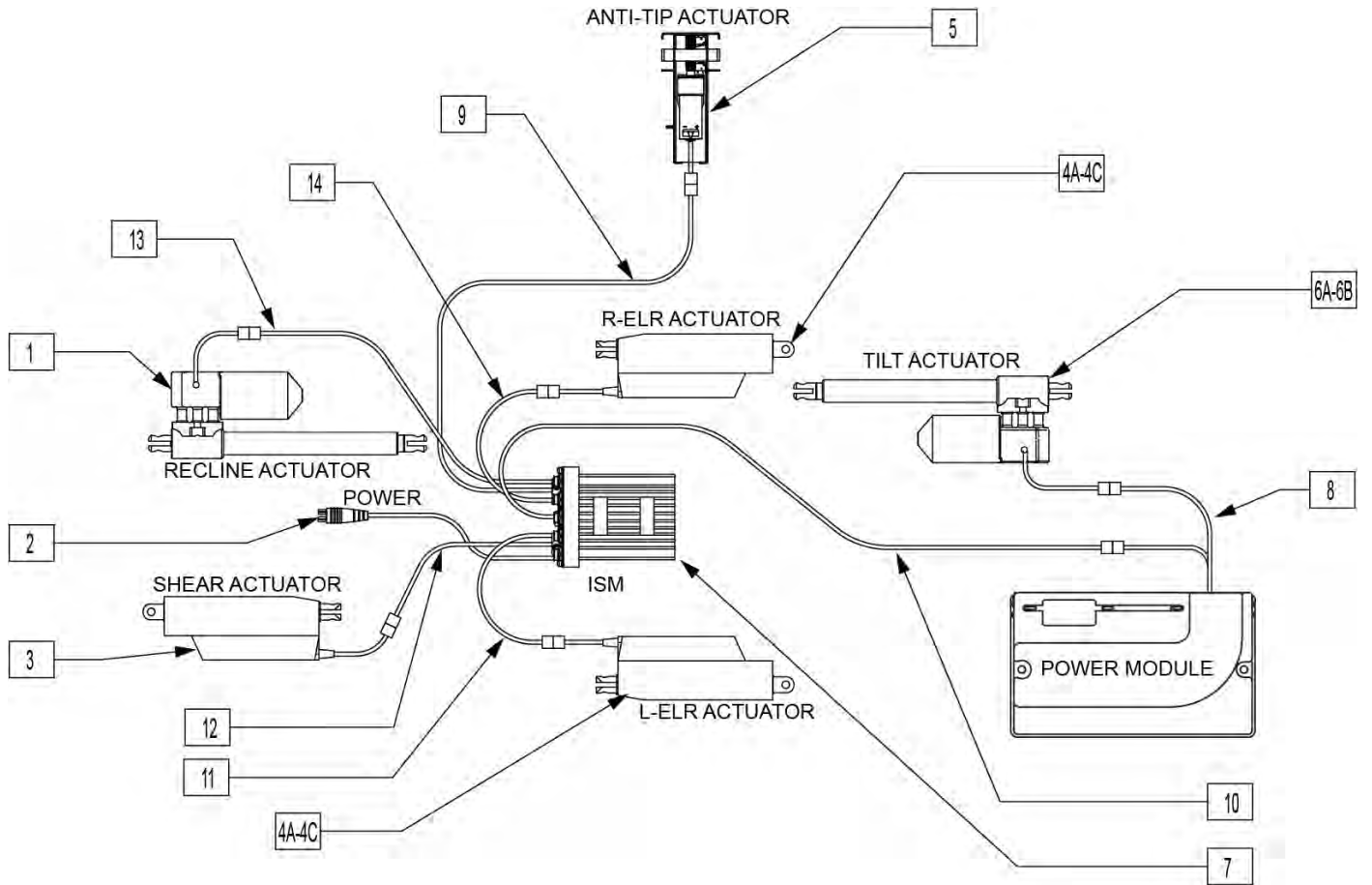


Pos.	Item Number	Description	Remarks
1A	111438-150	HARN VR2 DRIVE THRU ACT 1500MM	Used w/ thru drive tilt w/Power recline
1B	111438-010	HARN VR2 DRIVE THRU ACT 100MM	Used w/ thru drive tilt only-no ISM
1C	111438-010	HARN VR2 DRIVE THRU ACT 100MM	Tilt w/ISM no Recline
2	101626	CONTROLLER HARNESS	Used w/ VR2 chairs only(Controller to Joystick)
3	115202	HARN TILT ACT S646 RNET/VR2	All chairs w/Tilt
4A	108316-050	HARNESS R-NET BUS 500MM	Rnet Joystick EXT (Dist block to Joystick, Omni or Attendant Control
4B	108316-120	HARNESS R-NET BUS 1200MM	Rnet Joystick EXT (Dist block to Joystick, Omni or Attendant Control
4C	108316-150	HARNESS R-NET BUS 1500MM	Base to seat
5	139028	PWR HRNS W/70A BRCKR S626	Battery connector to controller
6	111488-040	HARN LEVEL SW TO PGD INH 400MM	Power Recline level switch
7	104977-020	BASE TILT HARNESS	Used on all tilt chairs
8	139033	BATTERY CNNCT HARNESS G424	Battery Harness (Black) Qty2
9	115201	HARNESS ANTI-TIP LOCKOUT ISM	All chairs w/Power Recline
10A	108278-150	HARN PGDRIVES ACTUATOR 1500MM	Power Legs to ISM-Right-Power Recline
10B	111564-150	HARN PGDRIVES ACTUATOR 1500MM	Power Legs to ISM-Left-Power Recline
10C	108278-050	HARN PGDRIVES ACTUATOR 500 MM	Power Shear to ISM
10D	108278-035	HARNESS PG DRIVES ACTUATOR - 350MM	Power Legs to ISM-Right- no Power Recline
10E	111564-035	HARNESS PG DRIVES ACTUATOR - 350MM	Power Legs to ISM-Left-no Power Recline

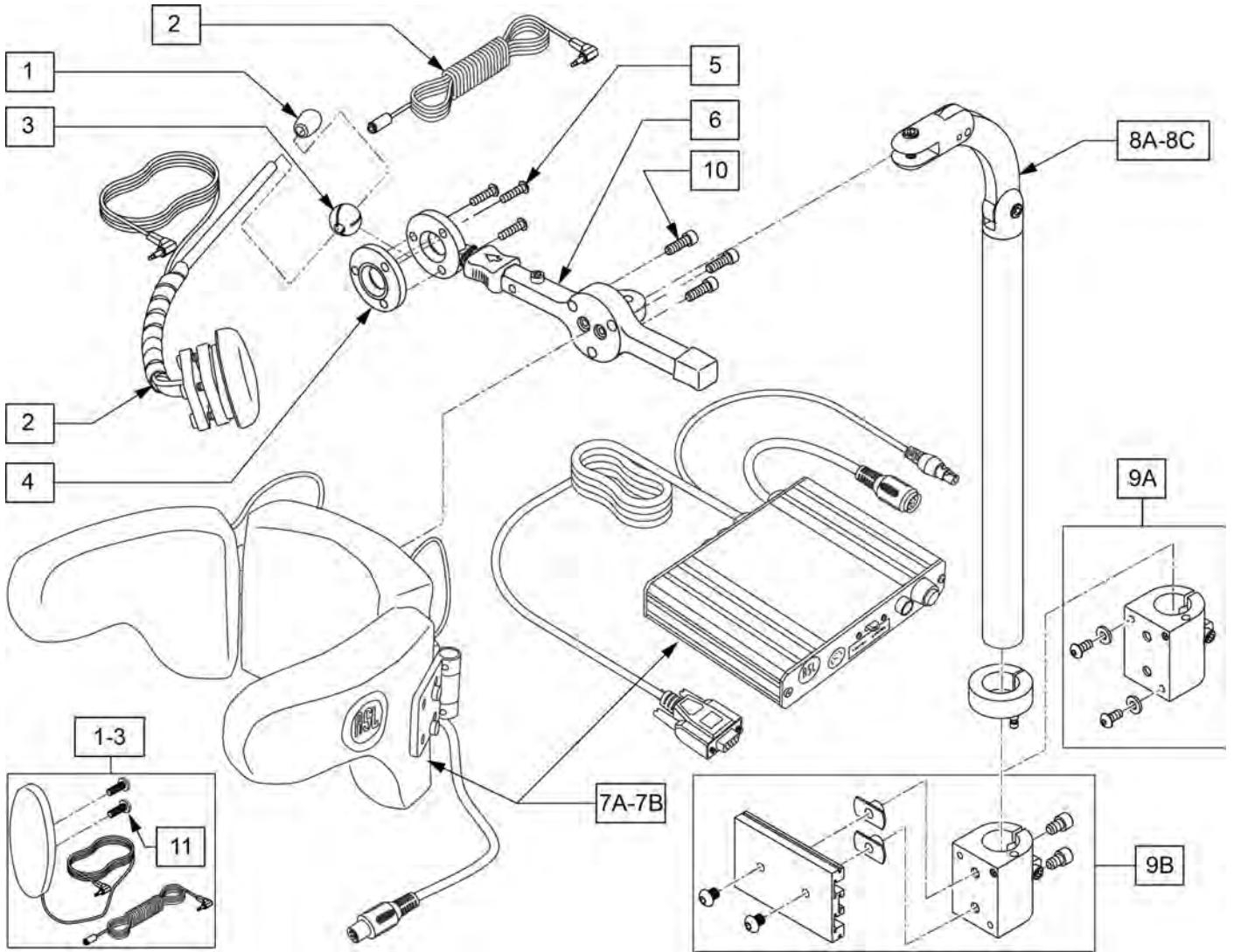
Pos.	Item Number	Description	Remarks
11	108309-050	HARN ACT WITH PGD INHBT 500 MM	Power recline to ISM

POWER RECLINE WIRING

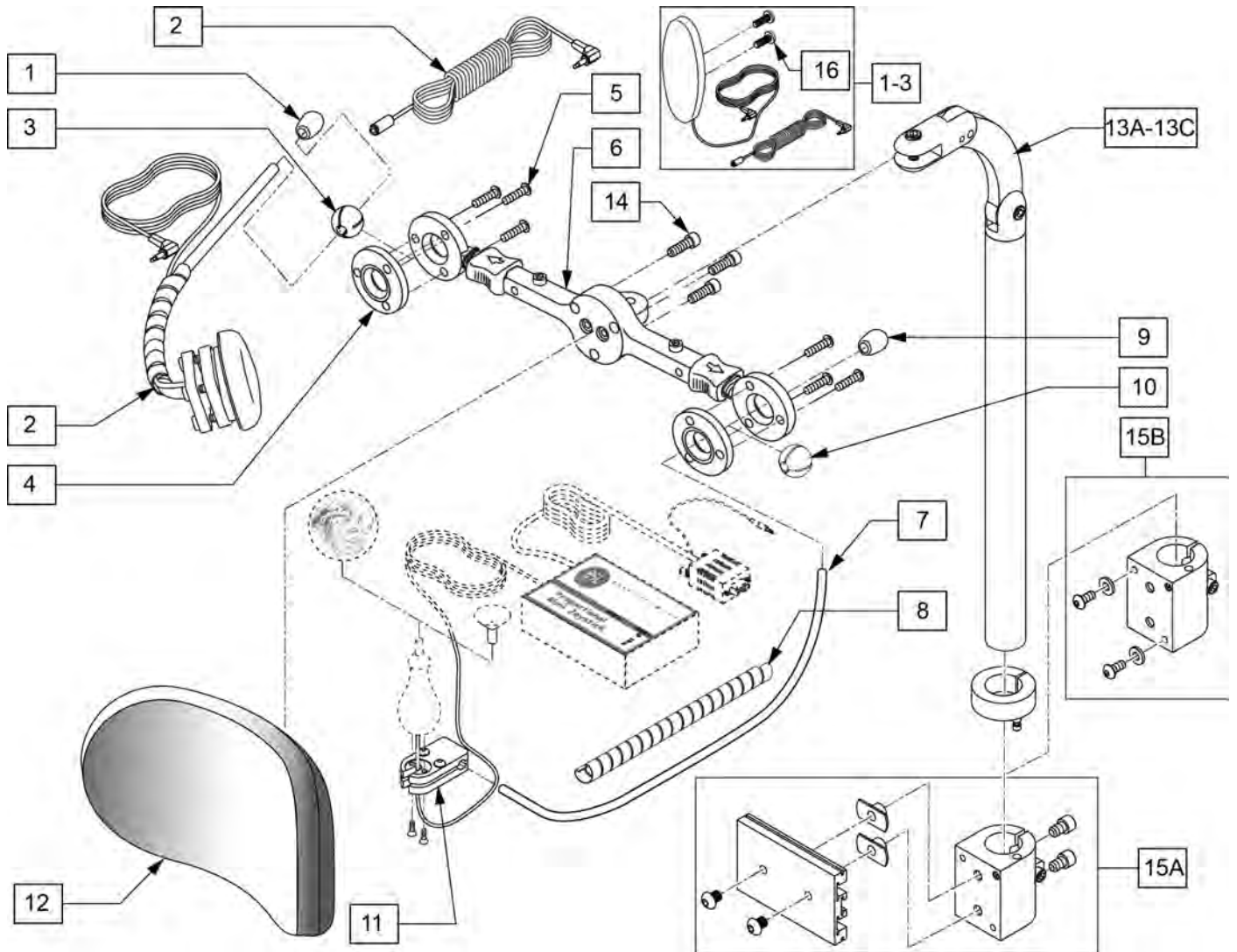
[02/2010]



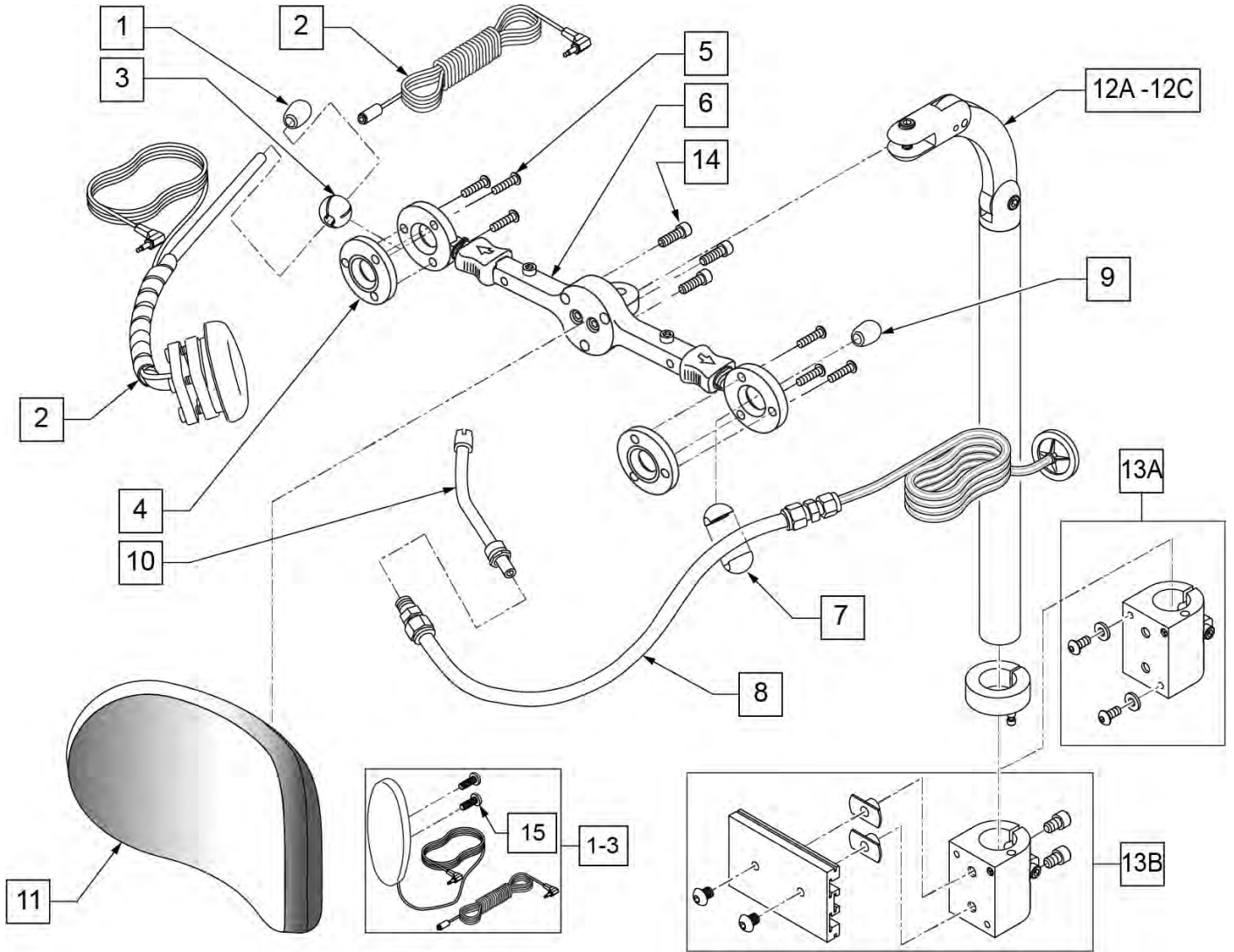
Pos.	Item Number	Description	Remarks
1	108843	ACT LINAK LA-30-150 W/ 10K POT	
2	108316-050	HARNNESS R-NET BUS 500MM	
3	012038	ACT LINAK LA-12 9OD CLVS DLPHI	
4A	012037	ACT LINAK LA-12 0D CLVS DLPHI	(16"/17"W LONG SEAT FRAME)
4B	116290	ACT LINAK LA-12 CLVS 25 DEG CW	(18"W LONG SEAT FRAME, RIGHT SIDE)
4B	116291	ACT LINAK LA12 CLVS 15 DEG CCW	(18"W LONG SEAT FRAME, LEFT SIDE)
4C	012038	ACT LINAK LA-12 9OD CLVS DLPHI	(16"-24" WIDE STANDARD SEAT FRAME,19"-24" WIDE LONG SEAT FRAME)
5	882019	LOCK OUT MECH TILT/RECLINE 626	
6A	880967	ACTUATOR ASSM 250 S626	Used for 0-250 lbs user weight
6B	881037	ACTUATOR ASSM 400LB S626	Used for 251lbs to 300lbs weight
7	122194	MODULE INTEL ST W/O LIGHTS	ISM
8	104977-020	BASE TILT HARNESS	
9	115201	HARNNESS ANTI-TIP LOCKOUT ISM	All chairs w/Power Recline
10	111438-150	HARN VR2 DRIVE THRU ACT 1500MM	
11	111564-150	HARN PGDRIVES ACTUATOR 1500MM	Power Legs to ISM-Left
12	108278-050	HARN PGDRIVES ACTUATOR 500 MM	Power Shear to ISM
13	108309-050	HARN ACT WITH PGD INHBT 500 MM	Power Recline to ISM
14	108278-150	HARN PGDRIVES ACTUATOR 1500MM	Power Legs to ISM-Right



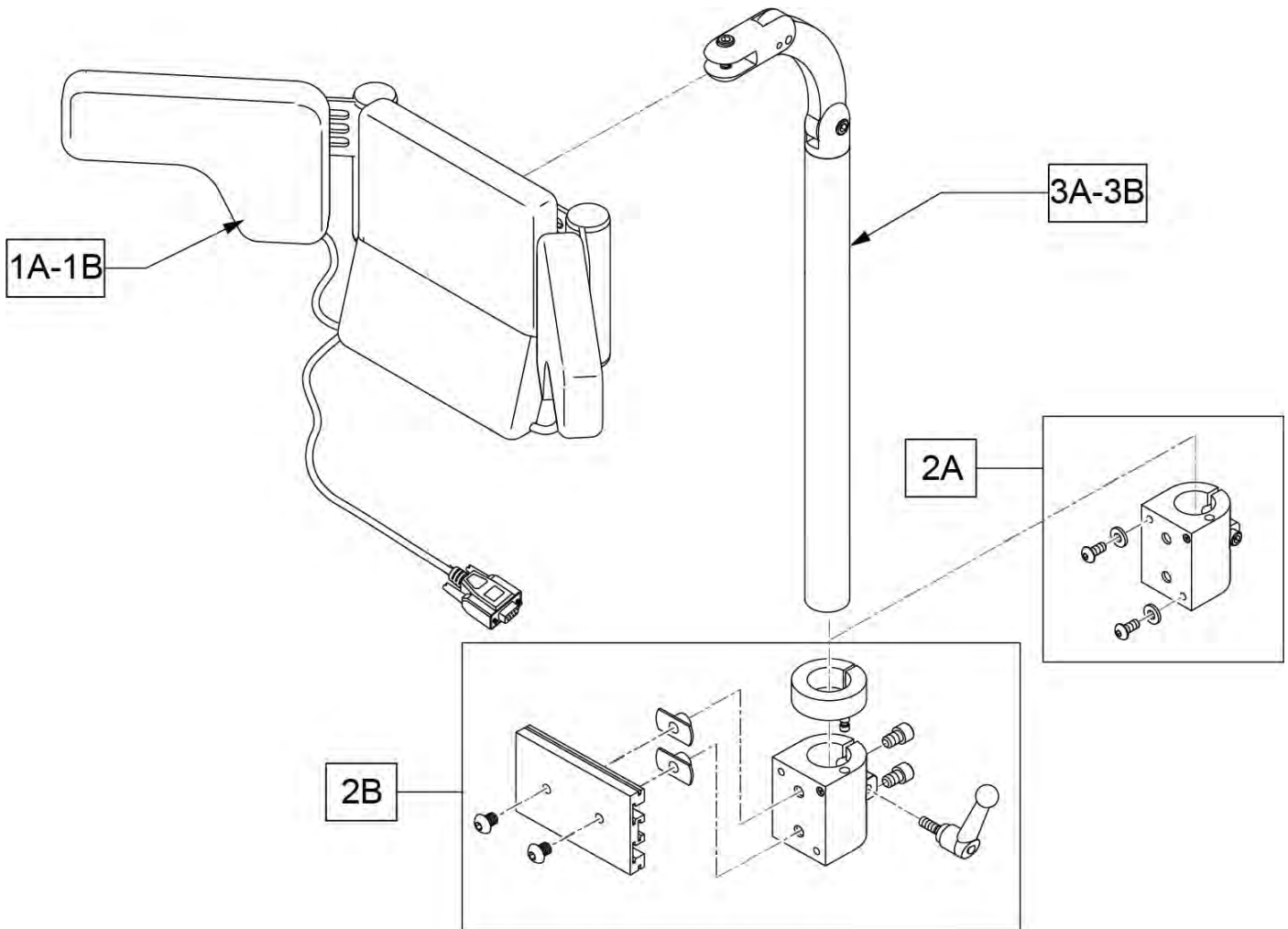
Pos.	Item Number	Description	Remarks
1-3	139915	RESET SWITCH EGG SHAPED	
1-6	882870	HEADREST MT W SWNG AWAY SWITCH	
7A	139940	HEAD ARRAY ADULT W INTERFACE	
7B	139941	HEAD ARRAY PED W INTERFACE	
8A	888113	MOUNT HEADREST WO FLANGE 7 IN	
8B	888114	MOUNT HEADREST WO FLANGE 9 IN	
8C	888115	MOUNT HEADREST WO FLANGE 15 IN	
9A	888100	CLAMP HEADREST SMART SEAT	
9B	888101	CLAMP HEADREST RIGID BACK	
10	226116	10-32 X 1" SOC C/S BLK	
11	281082	8-32 X 3/8 PAN PHIL M/S BLK	Included in 139915



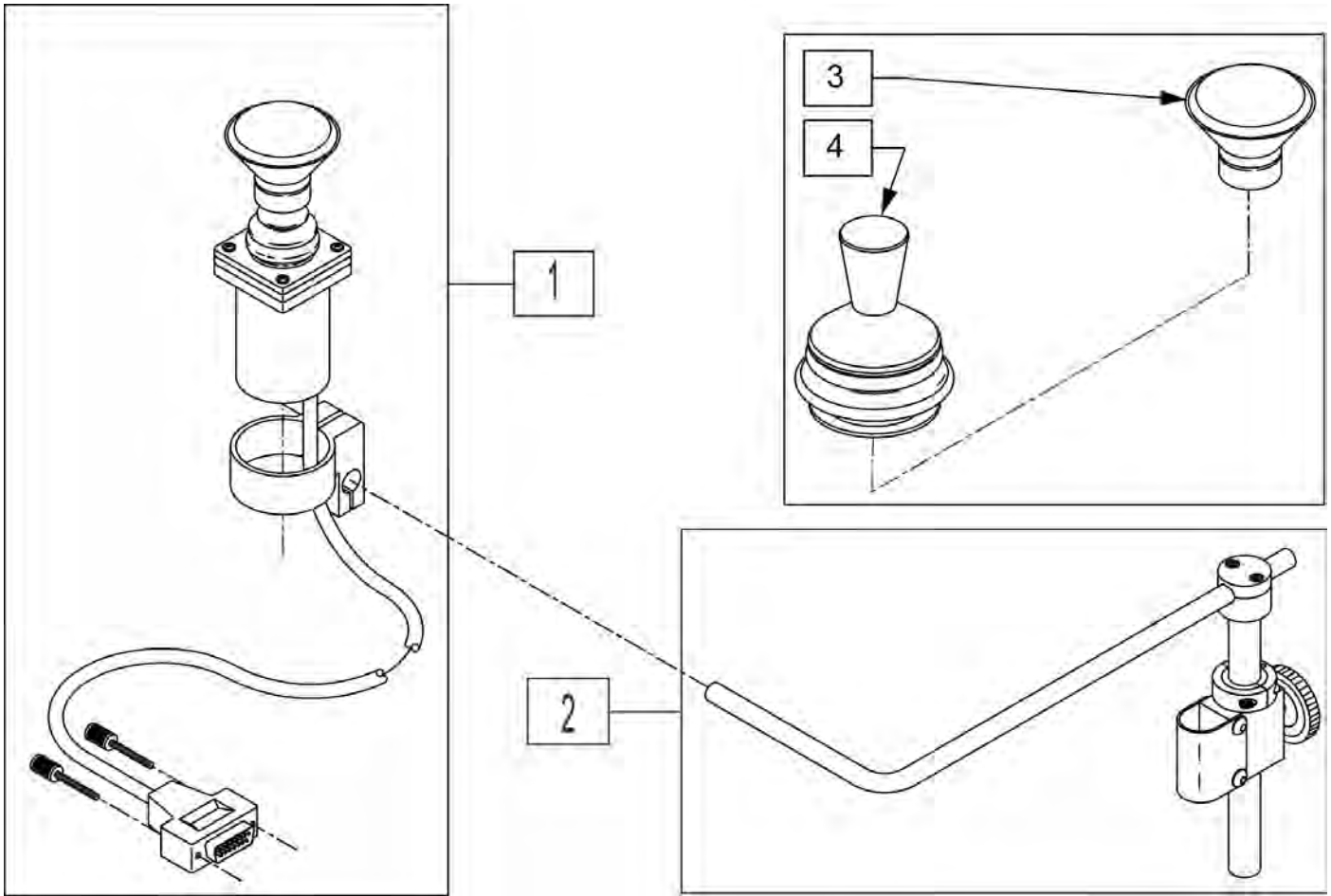
Pos.	Item Number	Description
1-3	139915	RESET SWITCH EGG SHAPED
4-11	882872	HEADREST JOYSTK MOUNT W SA SW
12	750697	HEADREST W/ZIPPER LARGE CG
13A	888113	MOUNT HEADREST WO FLANGE 7"
13B	888114	MOUNT HEADREST WO FLANGE 9"
13C	888115	MOUNT HEADREST WO FLANGE 15"
14	226116	10-32 X 1" SOC C/S BLK
15A	888100	CLAMP HEADREST SMART SEAT
15B	888101	CLAMP HEADREST RIGID BACK
16	281082	8-32 X 3/8 PAN PHIL M/S BLK



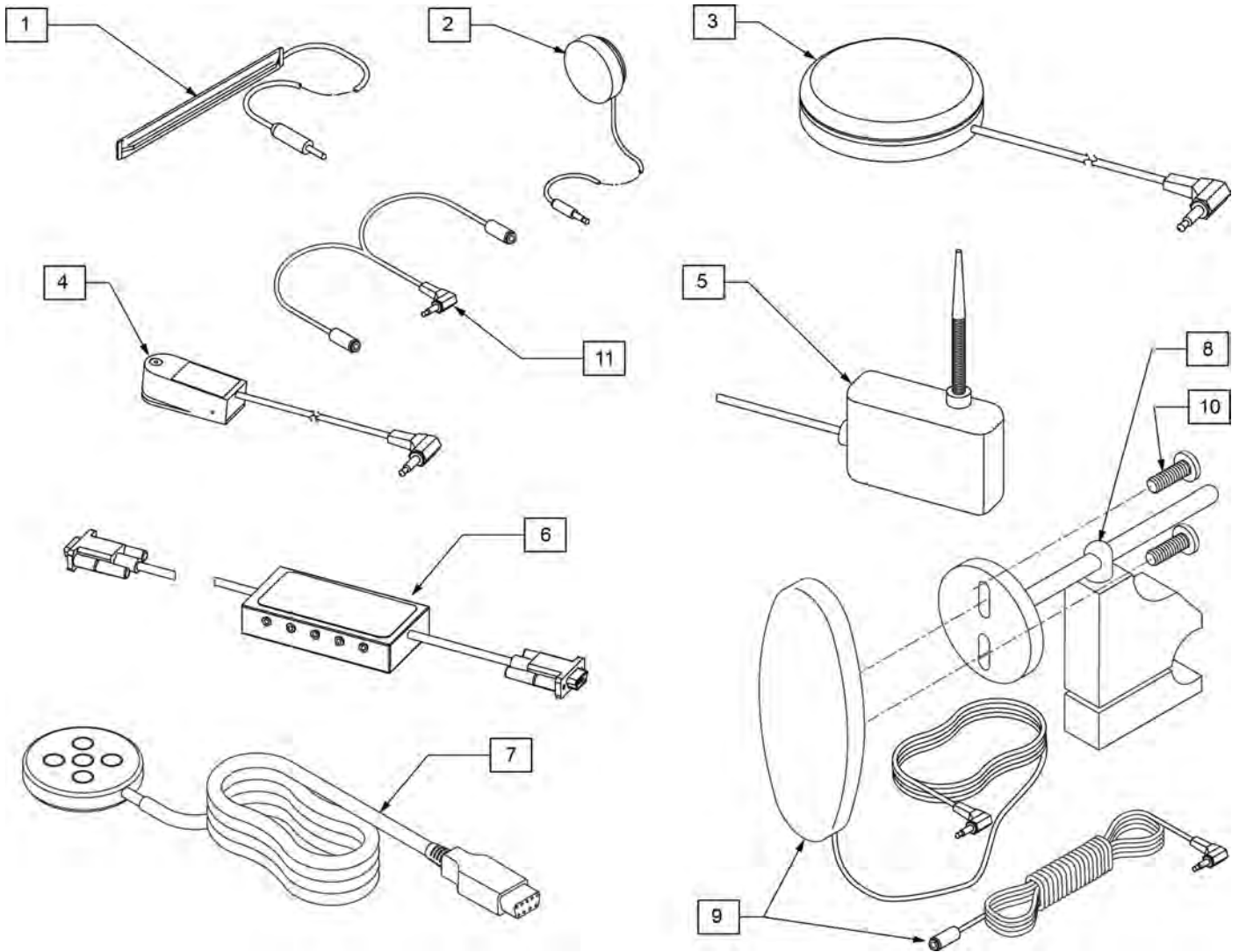
Pos.	Item Number	Description
1-3	139915	RESET SWITCH EGG SHAPED
1-10	882873	HEADREST SIPNPUFF W SW AWAY SW
10	101434	SIP N PUFF STRAW
11	750697	HEADREST W/ZIPPER LARGE CG
12A	888113	MOUNT HEADREST WO FLANGE 7"
12B	888114	MOUNT HEADREST WO FLANGE 9"
12C	888115	MOUNT HEADREST WO FLANGE 15"
13A	888100	CLAMP HEADREST SMART SEAT
13B	888101	CLAMP HEADREST RIGID BACK
14	226116	10-32 X 1" SOC C/S BLK
15	281082	8-32 X 3/8 PAN PHIL M/S BLK



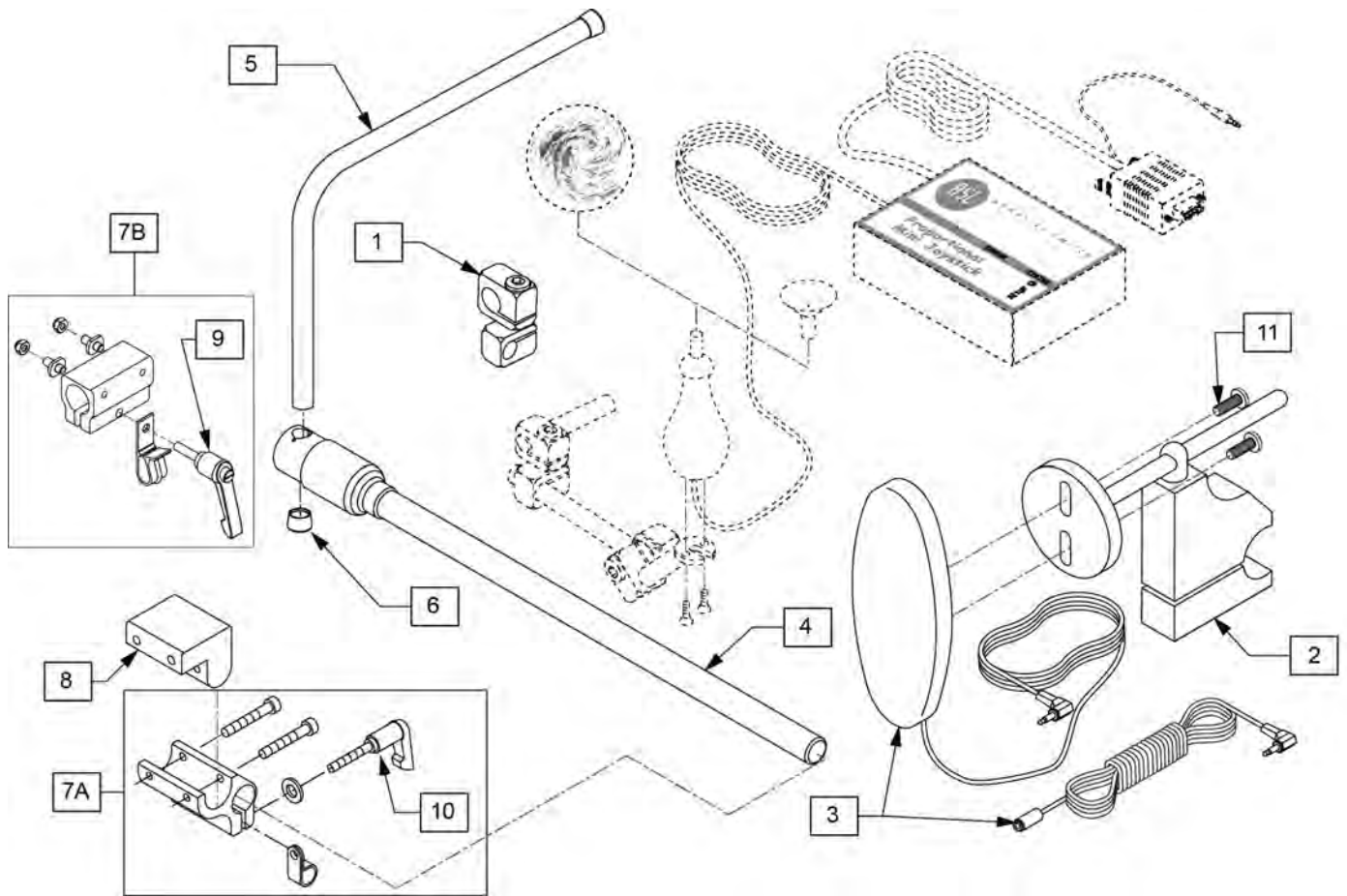
Pos.	Item Number	Description
1A	139897	HEAD ARRAY ADULT W INTERFACE
1B	139898	HEAD ARRAY PED W INTERFACE
2A	888100	CLAMP HEADREST SMART SEAT
2B	888101	CLAMP HEADREST RIGID BACK
3A	888113	MOUNT HEADREST WO FLANGE 7 IN
3B	888114	MOUNT HEADREST WO FLANGE 9 IN
3C	888115	MOUNT HEADREST WO FLANGE 15 IN



Pos.	Item Number	Description
1	139705	PROP CHIN CONTROL W/MINI JS
2	D3150-3	AMH S/A MNTG KIT B/R 1" 3185
4	138154	KNOB&PROTECTOR D10AB JOYSTICK
3	D4000	CHINCUP QTRONIX



Pos.	Item Number	Description	Remarks
1	133721	SWITCH RIBBON	Cord length 63"
2	133722	SWITCH DISC	Cord length 69"
3	139920	SWITCH BUDDY BUTTON RED	Cord length 57"
4	139921	MICRO LIGHT	Cord length 58"
5	139910	SWITCH WOBBLE	Cord length 68"
6	Discontinued	SWITCH CA-5 BOX	Cord length (female cable 63")(male cable 6")
7	Discontinued	SWITCH PENTA	Cord length 63"
8	920904	MOUNT RESET SW FOR 7/8 TUBE	Clamps to 7/8" tubing
9,10	139915	RESET SWITCH EGG SHAPED	Cord length 51"(Ext 71")
10	281082	8-32 X 3/8 PAN PHIL M/S BLK	
11	105417	STEREO TO 2 MONO SPLITTER	Cord length 6"

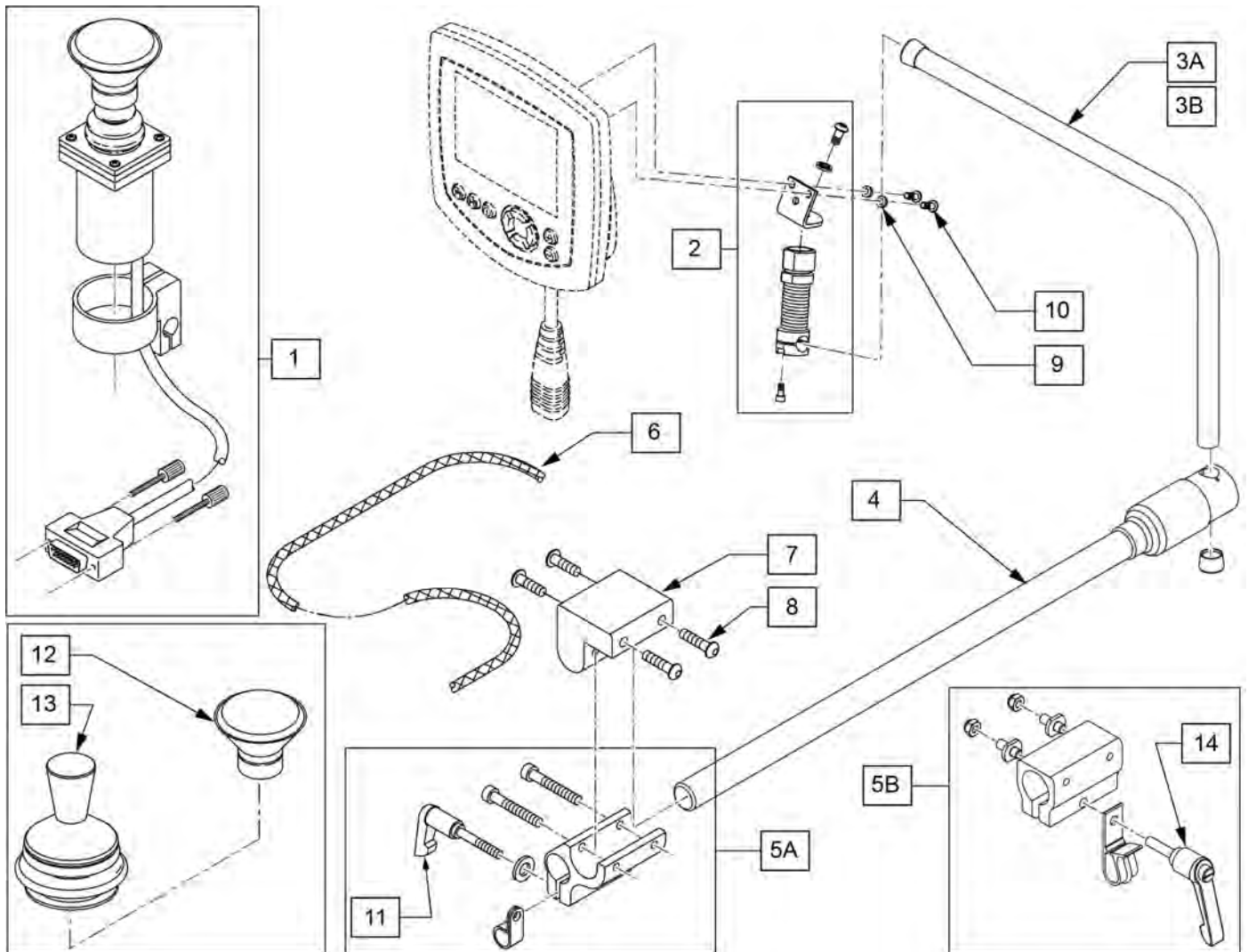


Pos.	Item Number	Description	Remarks
1	521617	MOUNT MINI JOYSTK TO 1/2" TUBE	
2	920904	MOUNT RESET SW FOR 7/8 TUBE	
2,3,11	521619	RESET SWITCH W BRACKET UNIV	
3,11	139915	RESET SWITCH EGG SHAPED	
4	111190	MOUNT ARM DISPLAY	
5	521097	ADJ DISPLAY ARM "L" (USCM/OMNI)	
6	560307	ADJ DISPLAY ARM CAP (USCM/OMNI)	
7A	012433	CNTRL ARM CLMP UNIVERSAL ASSM	Trad Rehab Seating Armrest
7B	159406	CNTRLR CLMP ARM ASSM RND	ASAP Seating Armrest
8	551001	CONTROLLER MOUNT BLOCK	USED w/ 8A on Power Recline Armrest
9	011049	HANDLE ADJ MODERN M5 X 20 STUD	
10	349024	HNDL 10-32 X 3/4 C/A P1/P3/P5	
11	281082	8-32 X 3/8 PAN PHIL M/S BLK	

NOTE: JOYSTICK POST ACCEPTS JOYSTICK KNOBS THAT HAVE A 3/16" DIAMETER MATING HOLE.

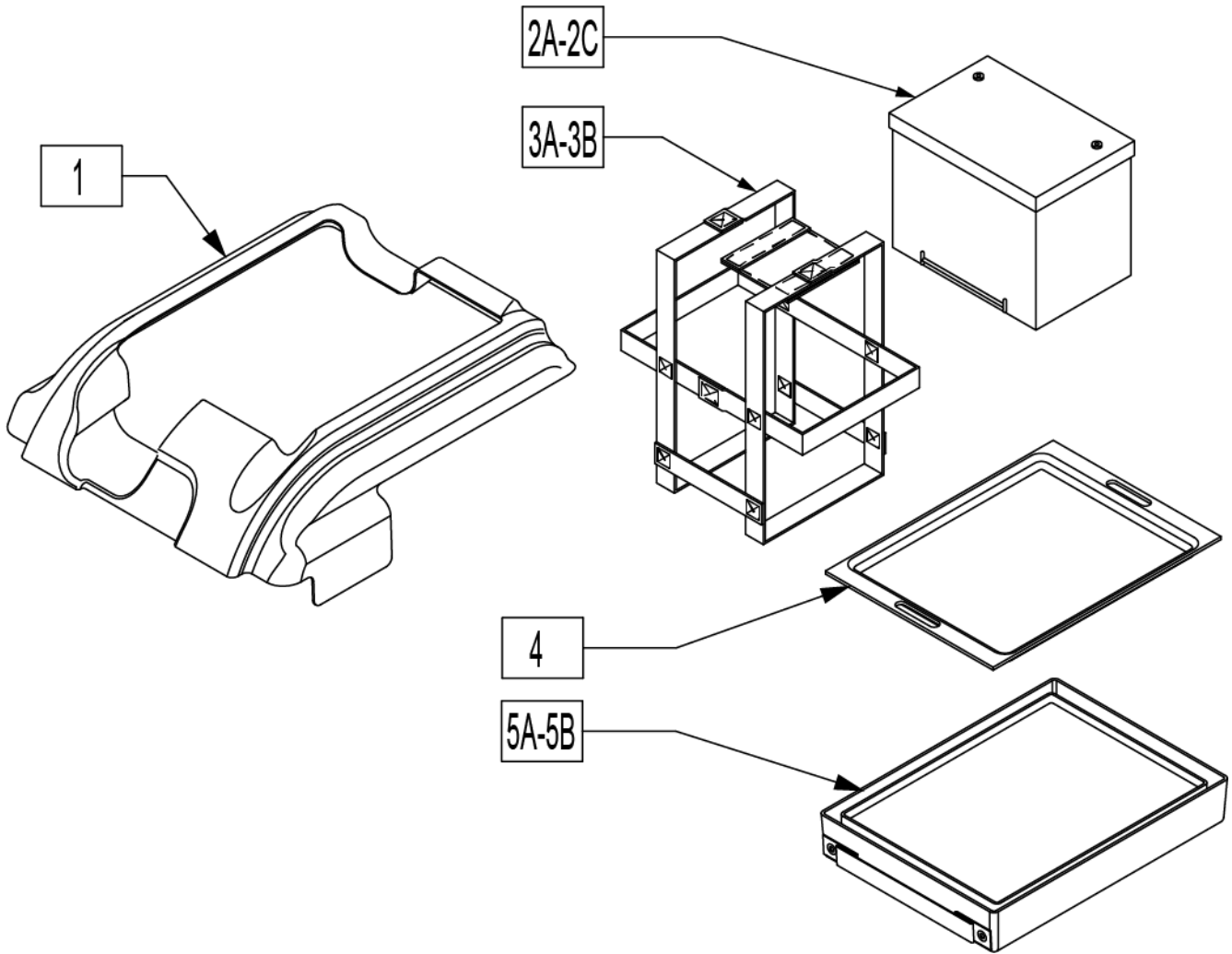
Note: OMNI Enhanced Display has been obsoleted and can be replaced by the new OMNI 2; in addition mounting hardware may be different so please review carefully what items are needed.

Note: if replacing a Omni with the Omni 2 and chair is equipped with a CTRL+5 and the chair was built prior to 11/15/18, the CTRL+5 will also need to be replaced; please contact Customer Service for further details.

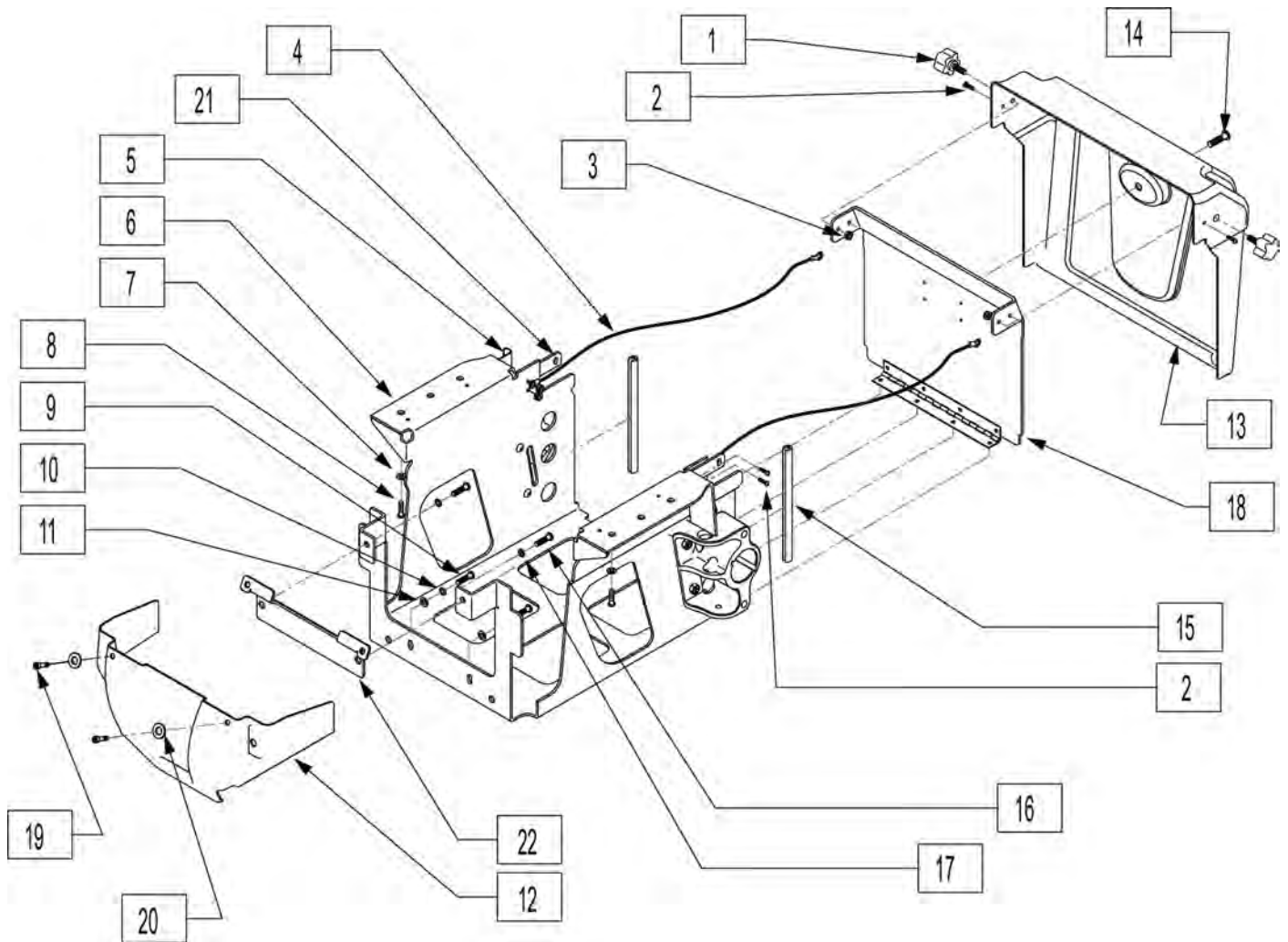


Pos.	Item Number	Description	Remarks
1	139705	PROP CHIN CONTROL W/ MINI JS	
2	886976	USCM SPRING MOUNT AS	
3A	521098	ADJ DISPLAY ARM "L" SHORT(USCM)	Used w/ OMNI only
3B	521097	ADJ DISPLAY ARM "L" (USCM)	Used w/ OMNI & Compact Joystick
4	111190	MOUNT ARM DISPLAY	
5A	012433	CNTRL ARM CLMP UNIVERSAL ASSM	Used w/ Trad Rehab Armrest
5B	159406	CNTRLR CLMP ARM ASSM RND	Used w/ ASAP Seating Armrest
6	180351	BRAIDED SLEEVING 24"	
7	551001	CONTROLLER MOUNT BLOCK	USED w/ 5A on Power Recline
8	222297	10-24 X 3/8 SOC BH C/S W/PTCH	
9	261204	#10 AN WASHER .063	
10	013143	BHCS M5 X .8 X 14 BLK W/PL	
11	349024	HNDL 10-32 X 3/4 C/A P1/P3/P5	
12	D4000	CHINCUP QTRONIX	
13	138154	KNOB&PROTECTOR D10AB JOYSTICK	
14	011049	HANDLE ADJ MODERN M5 X 20 STUD	

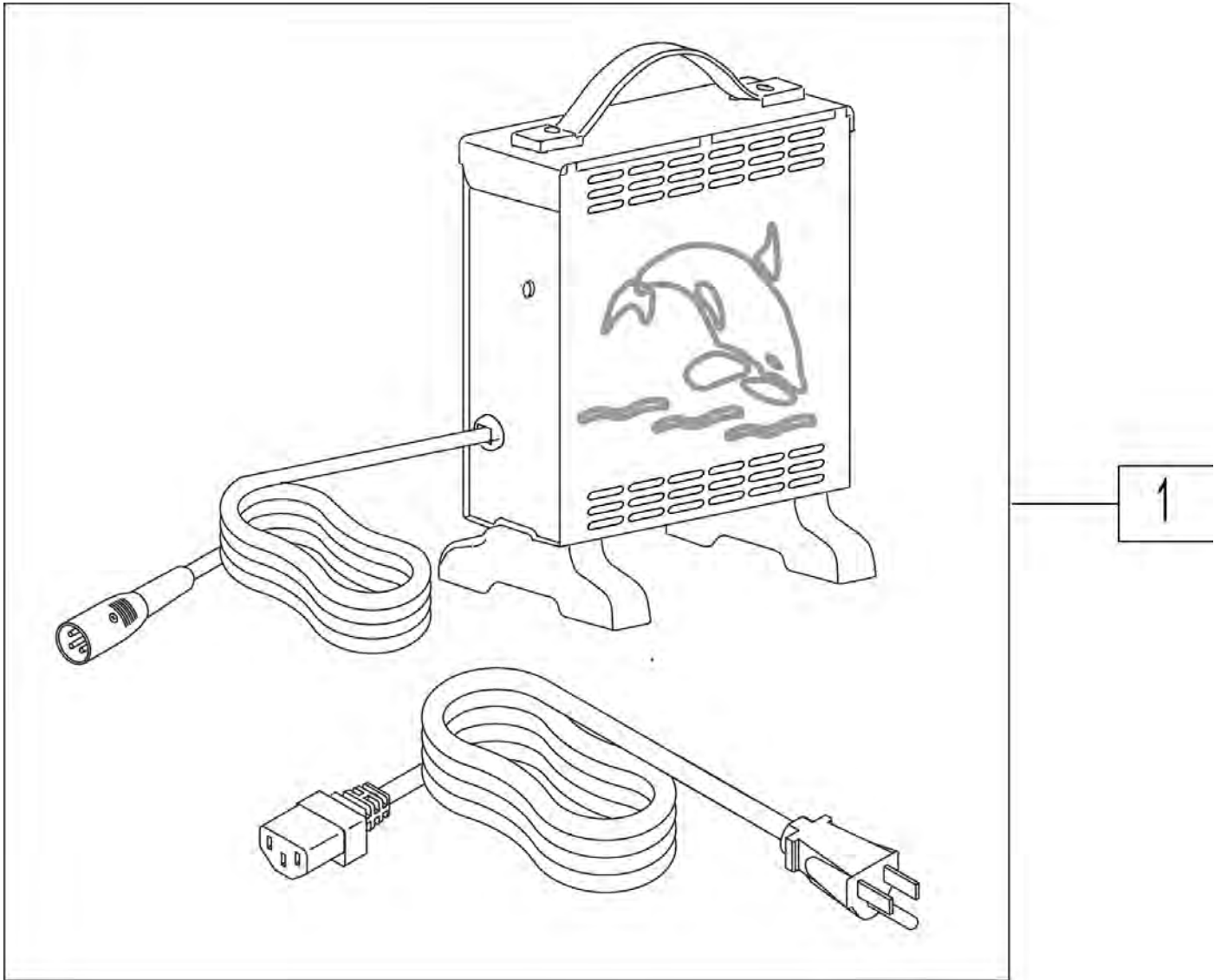
Note: effective on chairs with serial number prefix S63a.



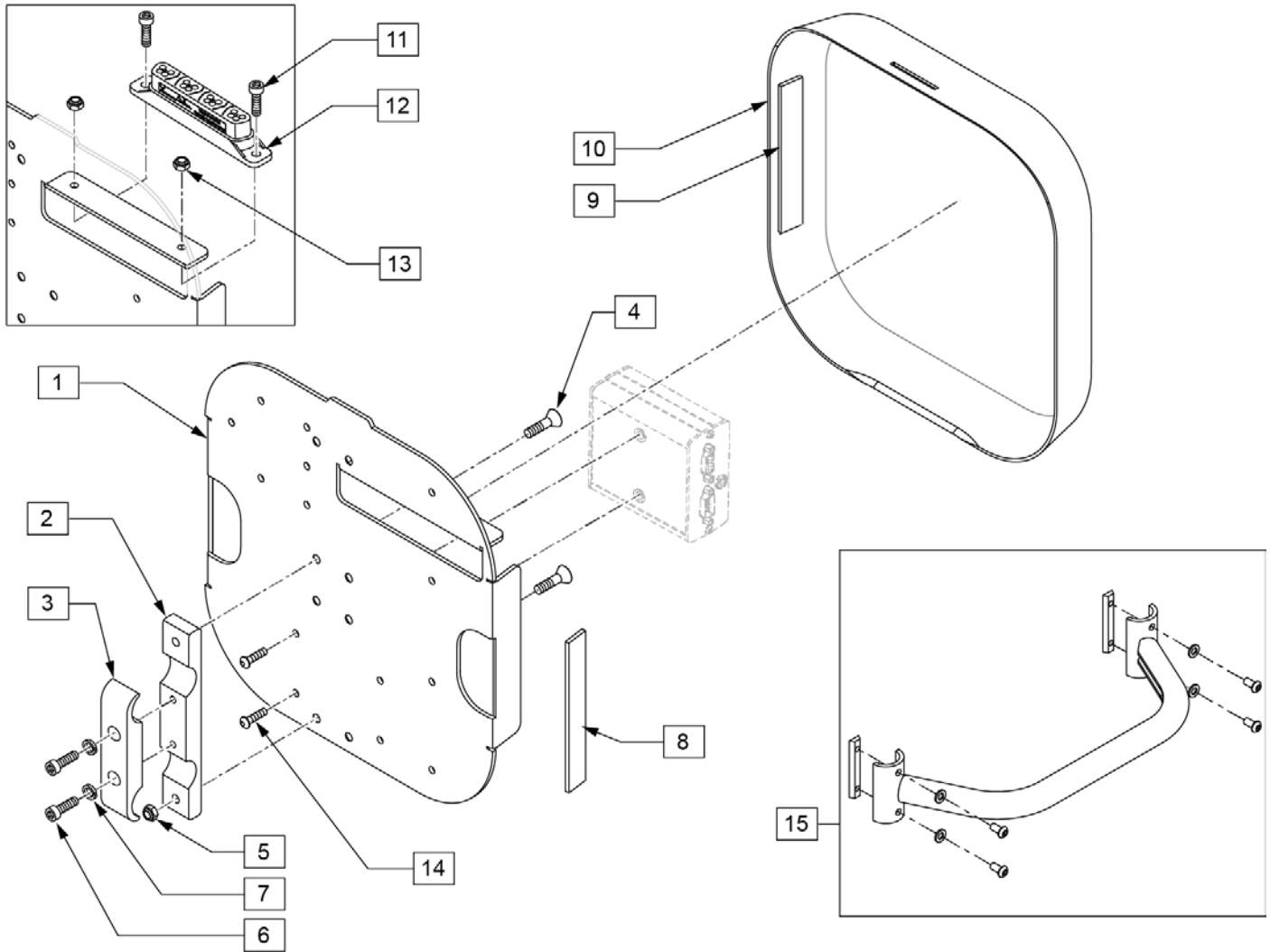
Pos.	Item Number	Description	Remarks
1	882007	TOP BATTERY COVER ASSEMBLY S626	
2A	244624	BRIGHT WAY GROUP 22 BATTERY	
2B	108114	BAT 24 FEMALE TERM	replaces M-24 Gel/Group 24 w/ Std Post Batteries
2C	244625	BRIGHTWAY GROUP 24 BATTERY	
3A	740141	BATTERY STRAP GROUP 24	
3B	740140	BATTERY STRAP GRP 22	
4	562530	BATTERY ADAPTER G-424	
5A	562669	BATTERY TRAY S626	
5B	562719	BATTERY TRAY GROUP 22 S626	



Pos.	Item Number	Description	Pos.	Item Number	Description
1	117994	THUMB SCREW M8 X 1.25	14	222205	1/4-14 x 1/2 PAN HEAD TP SCREW
2	226309	8-32 x 5/8 BH C/S BLK	15	580000	BATTERY SUPPORT EDGE 3"
3	200099	8-32 NYLOCK NUT THIN	16	221011	10-32 x 1.75 SHCS BLK
4	139029	BATTERY BOX CABLE	17	455031-QU	#10 AN WASHER .032 SS
5	481451	LATCH PLATE KEEPER	18	888888	SHROUD MOUNT BRACKET ASSM
7	106947	WASHER FLAT THIN AN 5/16 ROHS	19	226246	10-32 x 5/8 SOC HD C/S BLK
8	220128	5/16-18 x .63 HHCS BLK W/PL	20	455031-QU	#10 AN WASHER .032 SS
9	227110	1/4-28 x 1 BH C/S BLK ZN	21	118521	PLATE ADAPTER THUMB SCREW
10	262114	1/4 WASHER HI COLLAR LOCK ZN	22	505547	BATTERY SUPPORT GATE S626
11	106943	WASHER FLAT AN 1/4 ROHS	1-22	885008	BATTERY BOX ASSM 16" S646
12	562009	FRONT SHROUD	1-22	885009	BATTERY BOX ASSM 18" S646
13	560364	REAR BATTERY COVER S626			

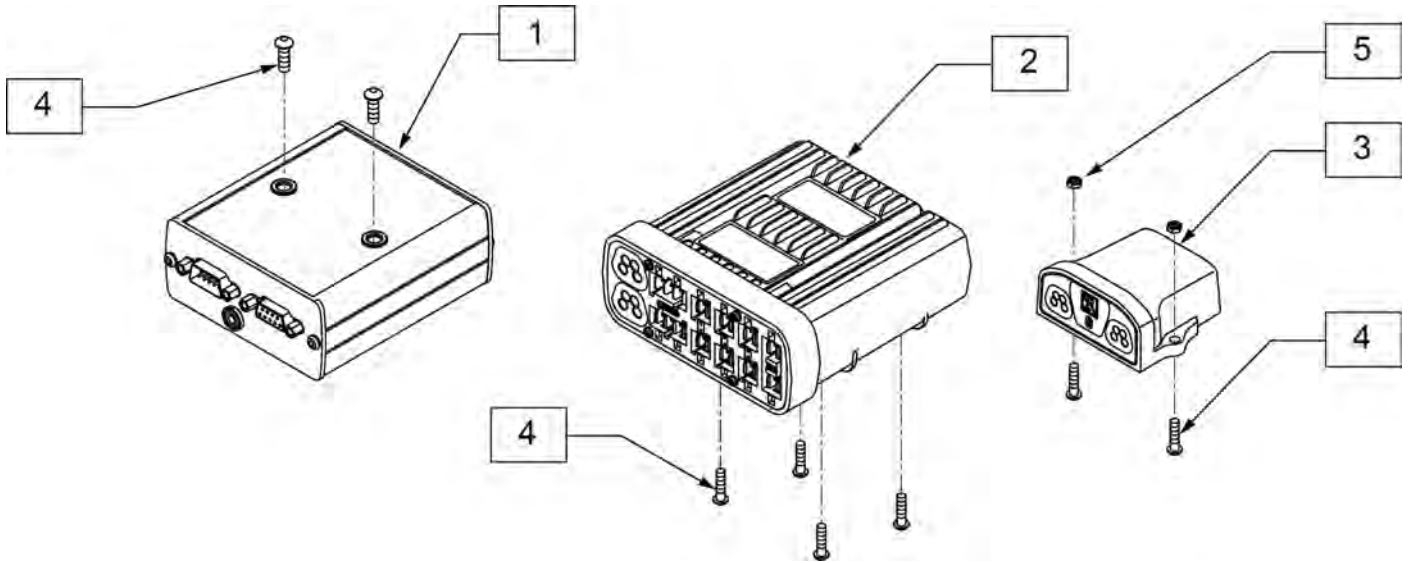


Pos.	Item Number	Description	HCPC
1	131386	CHGR OFF BRD 8A CTE W/CHKE	E2367

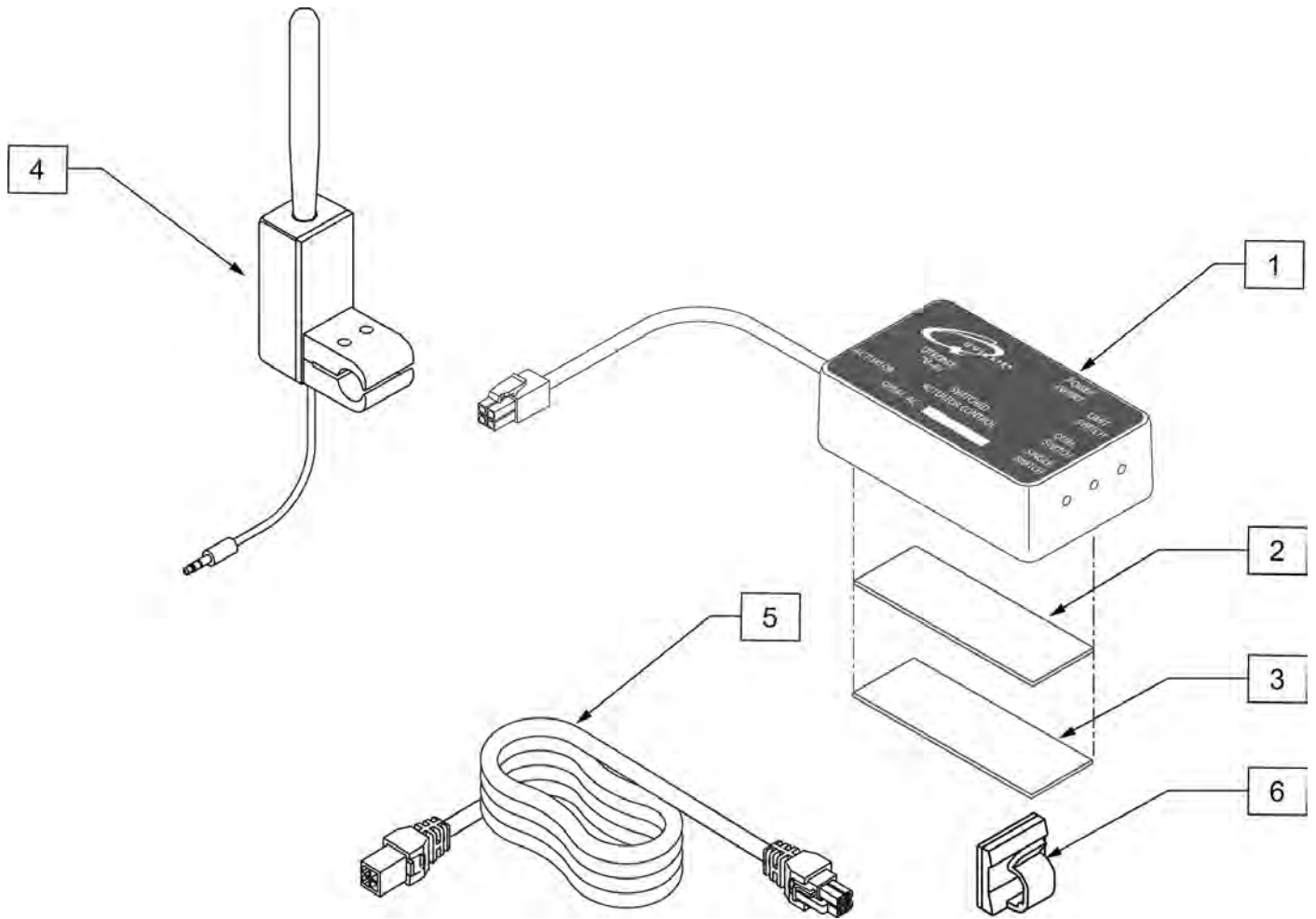


Pos.	Item Number	Description	Remarks
2	502313	CLAMP PIVOT VENT TRAY SMAL	
3	502294	VENT TRAY PIVOT CLAMP RECESS	
4	102265-002	FHCS M6 X 1 X 20 INORGANIC	
5	200113	NUT HEX NYLOCK M6 X 1	
6	102263-003	SHCS M6 X 1 X 25 W/PL INORG	
7	262114	1/4 WASHER HI COLLAR LOCK ZN	
8	012080-002	HOOK BLK VLCRO PS 1" x 5"	Qty 2 Required
9	011803-002	1 X 5 LOOP BLACK PSA117	Qty 2 Required
11	104522	SHCS M6X1X16 FULL PL	
12	108312	DISTRIBUTION BLOCK	Rnet only
13	210084	NUT HEX NYLOCK M6 BLACK	
14	103184-003	BHCS M5X0.8X10 FULLPL	Used to mount Output Module to Plate
15	884160	ADJ SPREADER BAR 14" ASSM S626	
15	884161	ADJ SPREADER BAR 15" ASSM S626	
15	884162	ADJ SPREADER BAR 16" ASSM S626	
15	884163	ADJ SPREADER BAR 17" ASSM S626	
15	884164	ADJ SPREADER BAR 18" ASSM S626	
15	884165	ADJ SPREADER BAR 19" ASSM S626	
15	884166	ADJ SPREADER BAR 20" ASSM S626	

Pos.	Item Number	Description	Remarks
15	884167	ADJ SPREADER BAR 22" ASSM S626	
15	884168	ADJ SPREADER BAR 24" ASSM S626	
1,8	110837	PLATE REHAB W/ VELCRO	
1-10	108561	ASAP RNET MNTING BCK	
9,10	110836	SHROUD REHAB W/ VELCRO	
11-13	110835	DIST BLOCK MNT KIT	

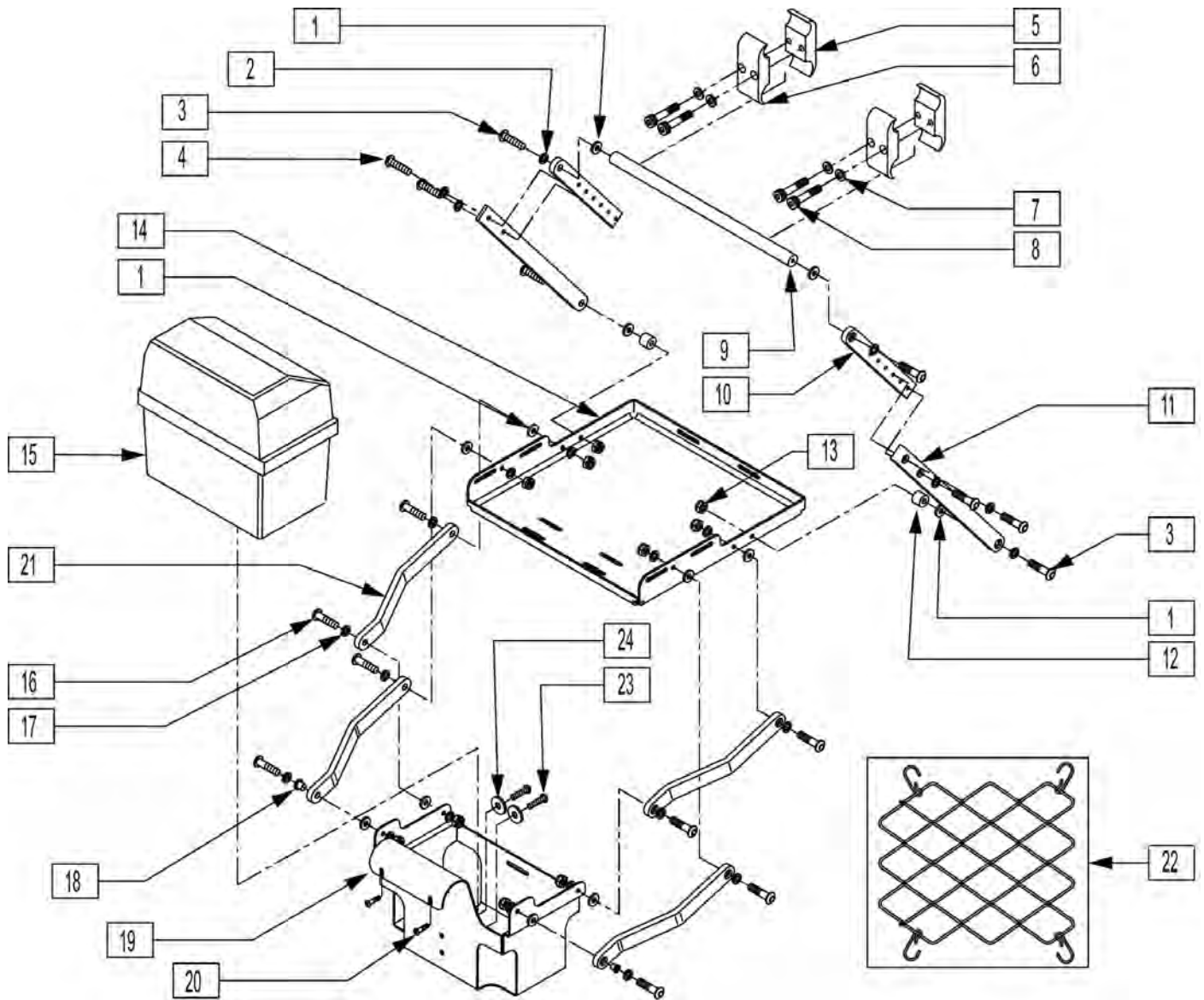


Pos.	Item Number	Description
1	108217B	MDLE OUTPUT IND BOX
2	122194	MODULE INTEL ST W/O LIGHTS
3	108218	MDLE BLUETOOTH IND BOX
4	103184-003	BHCS M5X0.8X10 FULLPL
5	220121	NUT HEX NYLOCK M5 BLACK



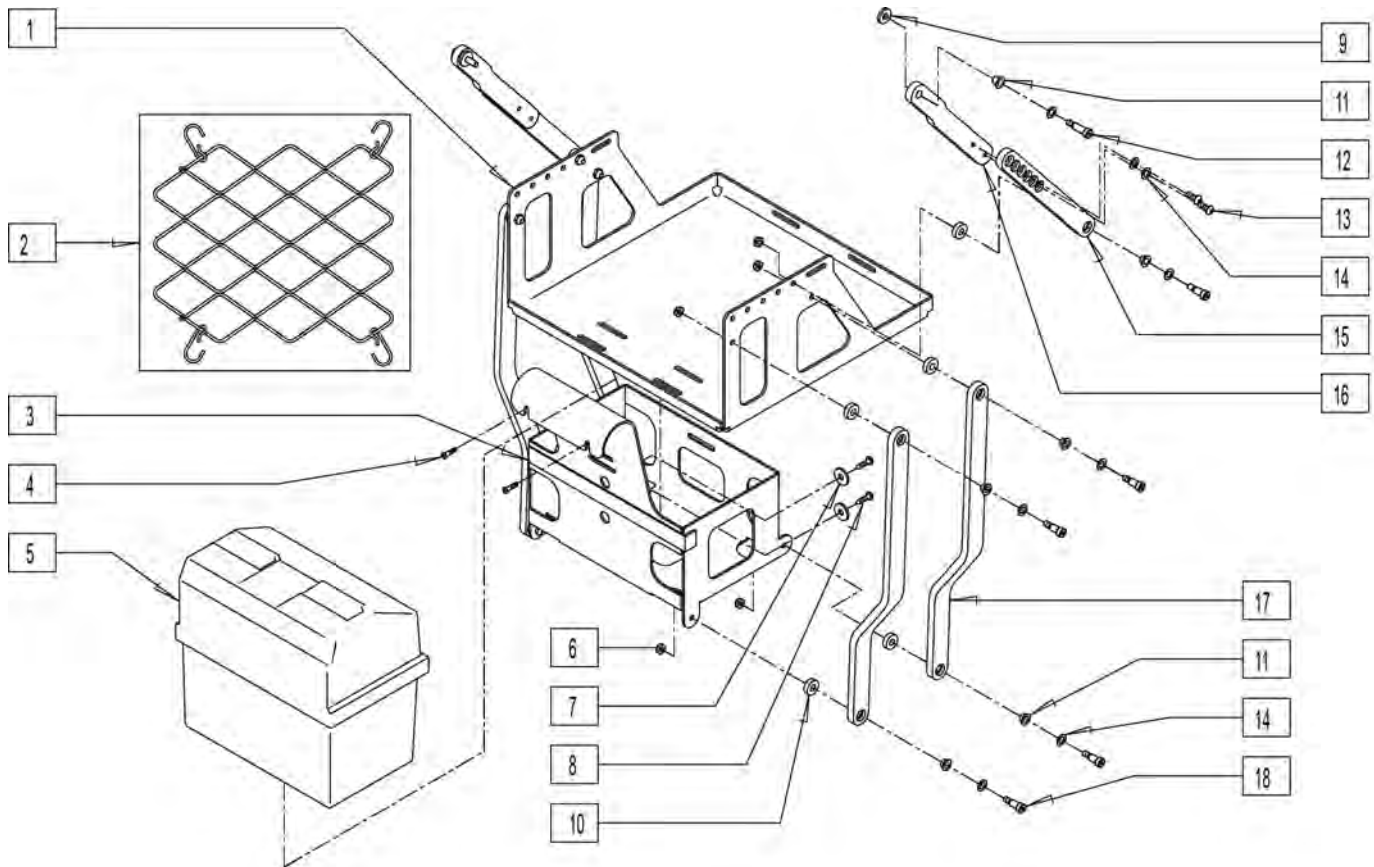
Pos.	Item Number	Description	Remarks
1	116245	TM40 TILT CONTROL ASY 6 AMP	(Blue Box) Used for Tilt only-User Wt. 0-250 lbs
1	116367	TM40 TILT CONTROL ASY 10 AMP HD	(Grey Box)Used for Tilt only-User Wt. 250-300 lbs
2	102340	POLYLOCK FEMALE 3" X 1"	
3	102341	POLYLOCK MALE 3" X 1"	
4	881318	TOGGLE SWITCH ASSY TILT L	
4	881338	TOGGLE SWITCH ASSY TILT R	
4	881394	ATTN TGGLE SWTH ASSM TLT VLCRO	
4	881395	ATTN TGGLE SWTH ASSM TLT L	
4	881396	ATTN TGGLE SWTH ASSM TLT R	
5	108277-100	HARNESS DUAL TOGGLE 1000MM	
6	560794	CABLE HOLDER BLACK W/ADHESIVE	

NOTE: EFFECTIVE 11/13/01 QUICKIE S626 TRANSITIONED TO QUICKIE S646 7/26/02



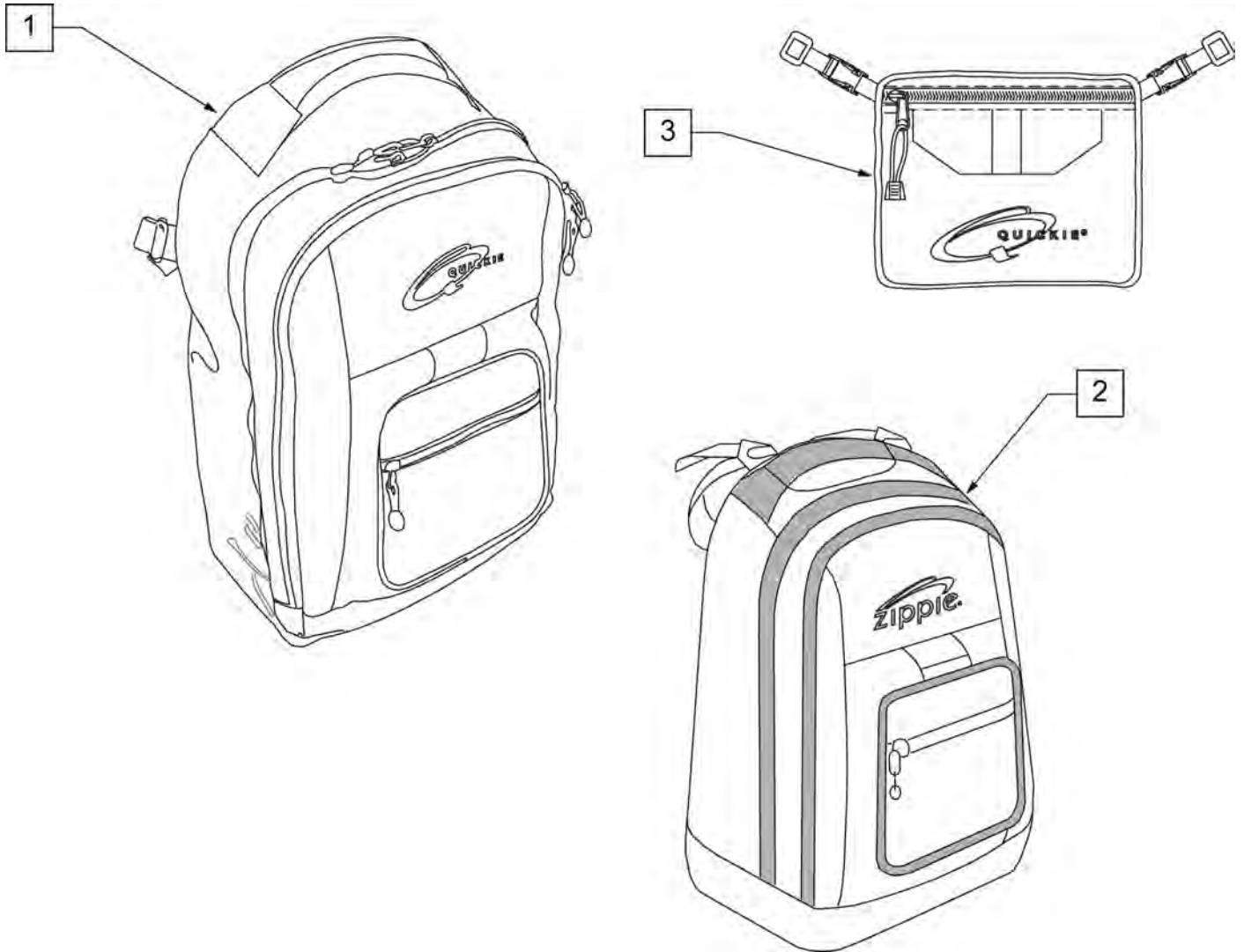
Pos.	Item Number	Description	Remarks
1	561059	3/4 OD x .318 ID WASHER	
2	106947	5/16 AN WASHER FLAT THIN	
3	226250	5/16 x 1 SH SHLDR BOLT 1"	
4	221016	1/4-28 x .63 SHCS BLK W/PL	
5	550576	CLAMP 2 1/4" THREADED BLK	
6	550477	CLAMP 2 1/4" RECESS BLK	
7	262114	1/4 WASHER HI COLLAR LOCK ZN	
8	107032	1/4-28 x 1 SOC C/S BLK	
9	526055	VENT TRAY CROSS TUBE S626	
10	505559	VENT TOP DRIVING LINK S626	
11	505558	VENT BOTTOM DRIVE LINK S626	

Pos.	Item Number	Description	Remarks
12	483198	VENT TRAY SPACER S626	
13	201105	1/4-20 NYLOCK NUT THIN	
14	505557	VENT TRAY S626	
15	920540	BATTERY BOX ASSM	FITS GROUP 22 BATTERY
16	226249	5/16 x 3/8 SH SHLDR BOLT 3/8"	
17	106947	5/16 AN WASHER FLAT THIN	
18	560249	5/16 ID x 1/4 IGLIDE BUSHING	
19	540207	VENT BATTERY CAGE WELDMNT S626	
20	221112	1/4-28 x 1 HEX C/S	
21	483199	VENT TRAY LINK S626	
22	360000	VENT TRAY VENT BUNGIE S626	
23	222205	1/4-14 x 1/2 PAN HEAD TP SCREW	
24	455037-QU	1/4 x 1 FLAT WASHER	
5-8	884101	VENT TRAY CLAMP ASSEMBLY S626	
1-4,9-14,16-22	884102	VENT TRAY ASSEMBLY S626	
1-24	920553	VENT TRAY/BATT BOX ASSEMBLY S626	

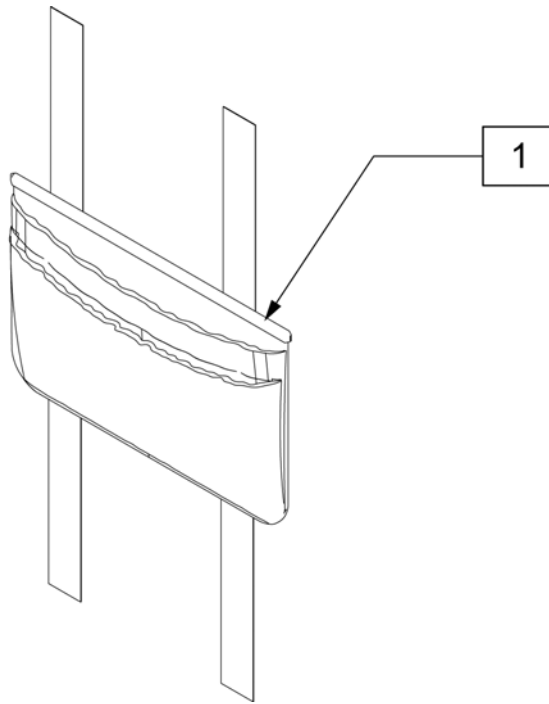


Pos.	Item Number	Description
1	502275	VENT TRAY S626
2	360000	VENT TRAY VENT BUNGIE S626
3	540217	VENT BATTERY CAGE WLDMNT S626
4	227110	1/4-28 x 1 BH C/S BLK ZN
5	920540	BTTRY BOX ASSM FRNT(GRP22)P120
6	201105	1/4-20 NYLOCK NUT THIN
7	455037-QU	1/4 x 1 FLAT WASHER
8	222205	1/4-14 x 1/2 PAN HEAD TP SCREW
9	561059	3/4 O.D. x .318 I.D. WASHER
10	561112	3/4 OD x .318 ID x .25 NYLON
11	560249	5/16 ID x 1/4 IGLIDE BUSHING
12	223116	5/16 x .75 SH SHLDR BLT W/PTCH
13	226333	1/4-20 x 5/8 BH C/S BLK W/PTCH
14	106947	WASHER FLAT THIN AN 5/16 ROHS
15	500229	UPPER VENT TRAY LINK
16	502281	LINK VENT TRAY UPPER
17	502280	LINK VENT TRAY LOWER
18	223117	5/16 x .50 SH SHLDR BLT
1-18	885075	VENT TRAY ASSM TILT/RECLINE
1-16	882019	LOCK OUT MECH TILT/RECLINE 626

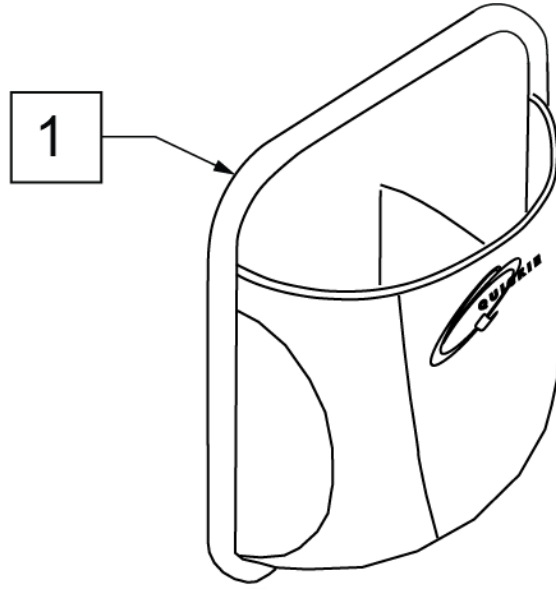
NOTE: KIDS BACKPACKS DO NOT HAVE ADJUSTABLE STRAPS W/ BUCKLES.



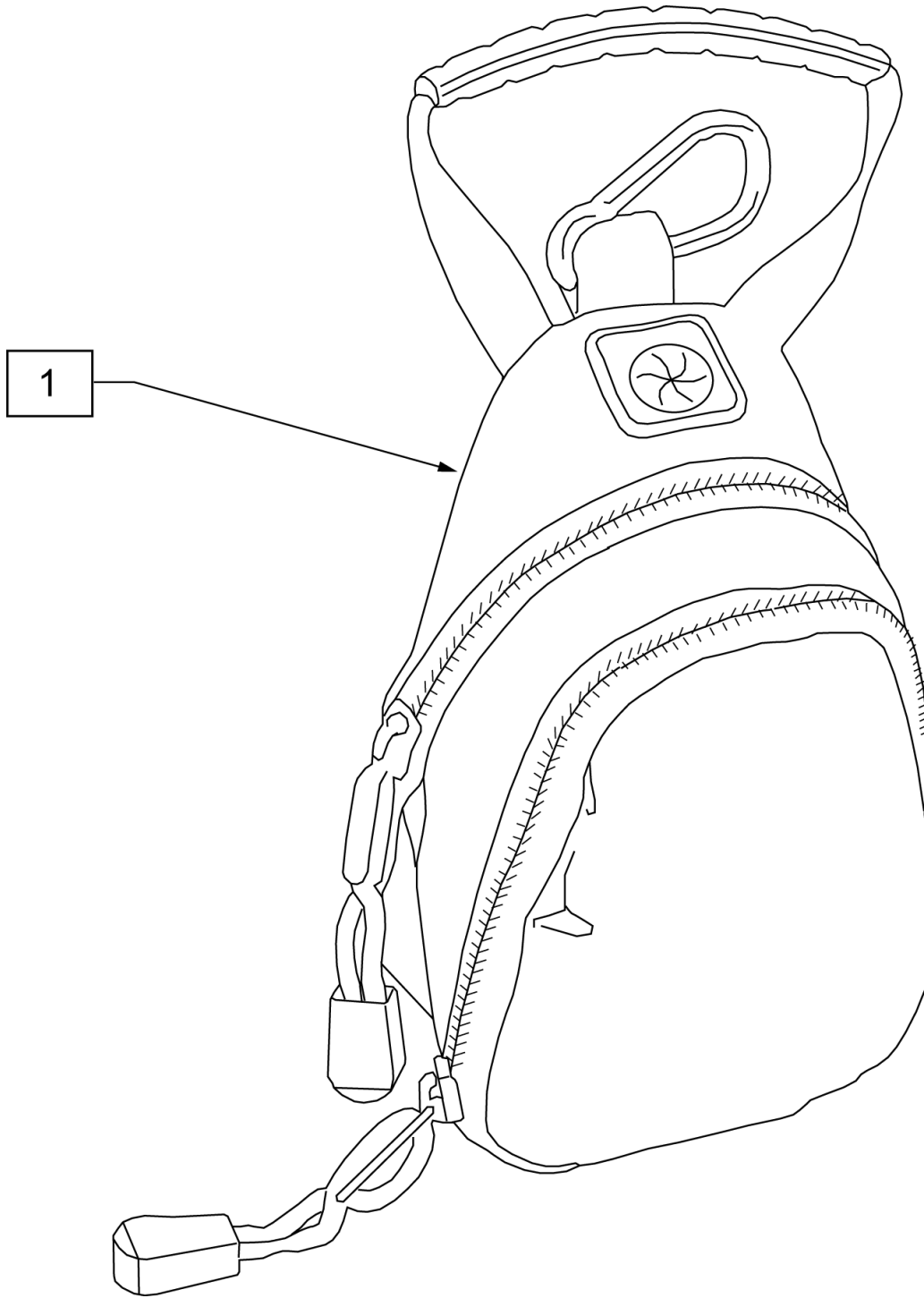
Pos.	Item Number	Description
1	750115	BACK PACK QUICKIE
2	104572	BACKPACK ZIPPIE
3	750307	SEAT POUCH QUICKIE



Pos.	Item Number	Description
1	011687	POWER CORD POUCH

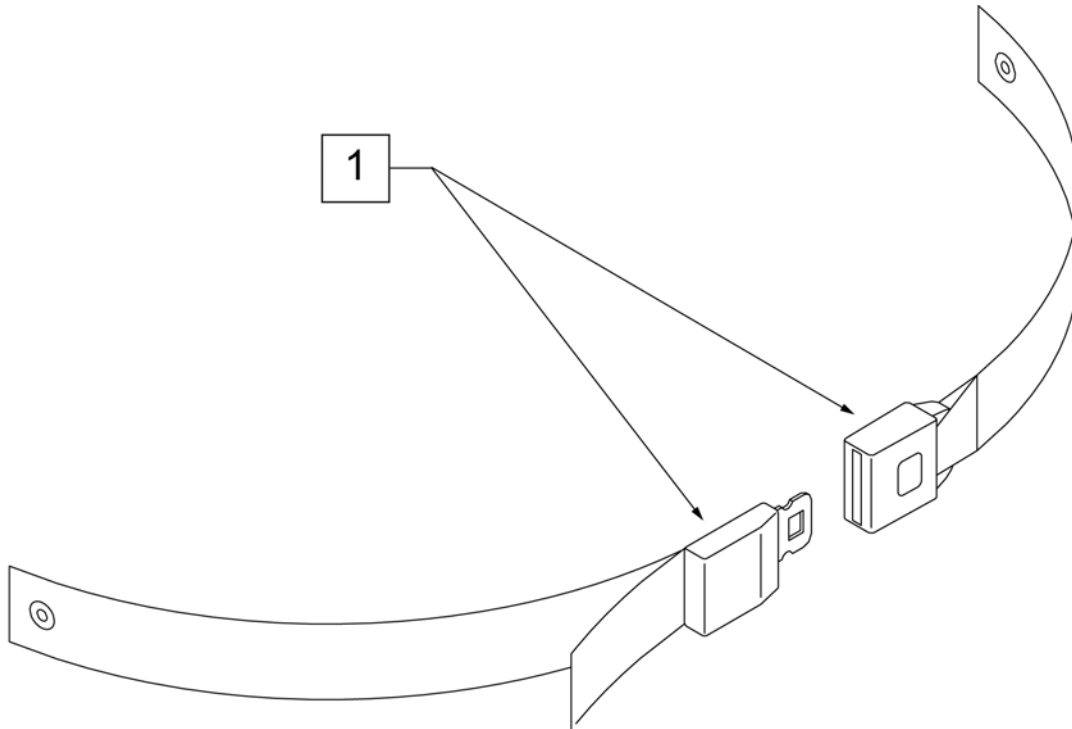


Pos.	Item Number	Description	Remarks
1	013475	QUICKIE SIDE POCKET	Size: 6.5"x 6.5"x 2"

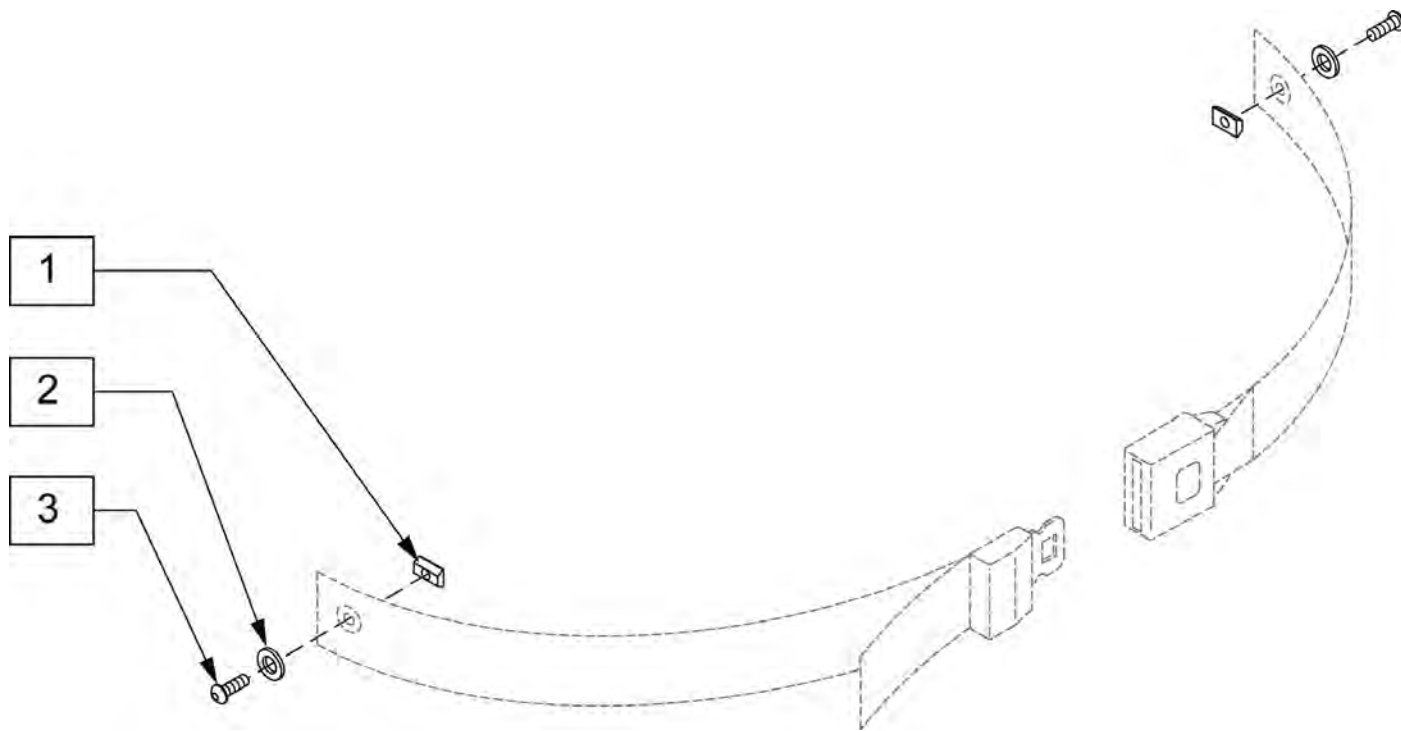


Pos.	Item Number	Description
1	109229	CELL PHONE PACK (ORANGE)

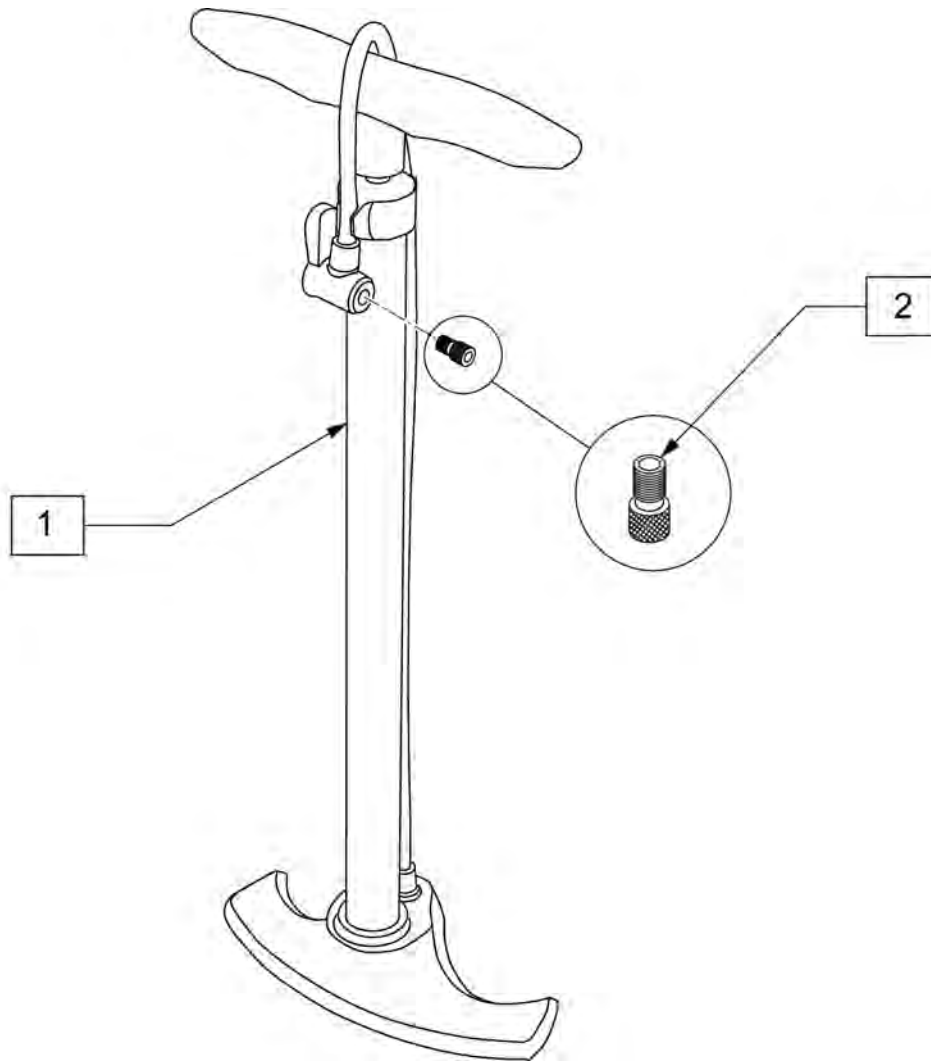
NOTE: when mounting Positioning Belts to the GT or GTI, it is recommended to attach the belt by using the Backrest Support Bracket Hardware.



Pos.	Item Number	Description	Remarks
1	750276	1 1/2" POSITION BELT	AUTOSTYLE-64" Max length of belt.



Pos.	Item Number	Description
1	010065	M6 CHANNEL NUT
2	250104	WASHER FLAT M6
3	102262-001	BHCS M6X1X8 FULL PL



Pos.	Item Number	Description
1	389050	TIRE PUMP
2	381230	VALVE ADAPTER PRESTA

Product