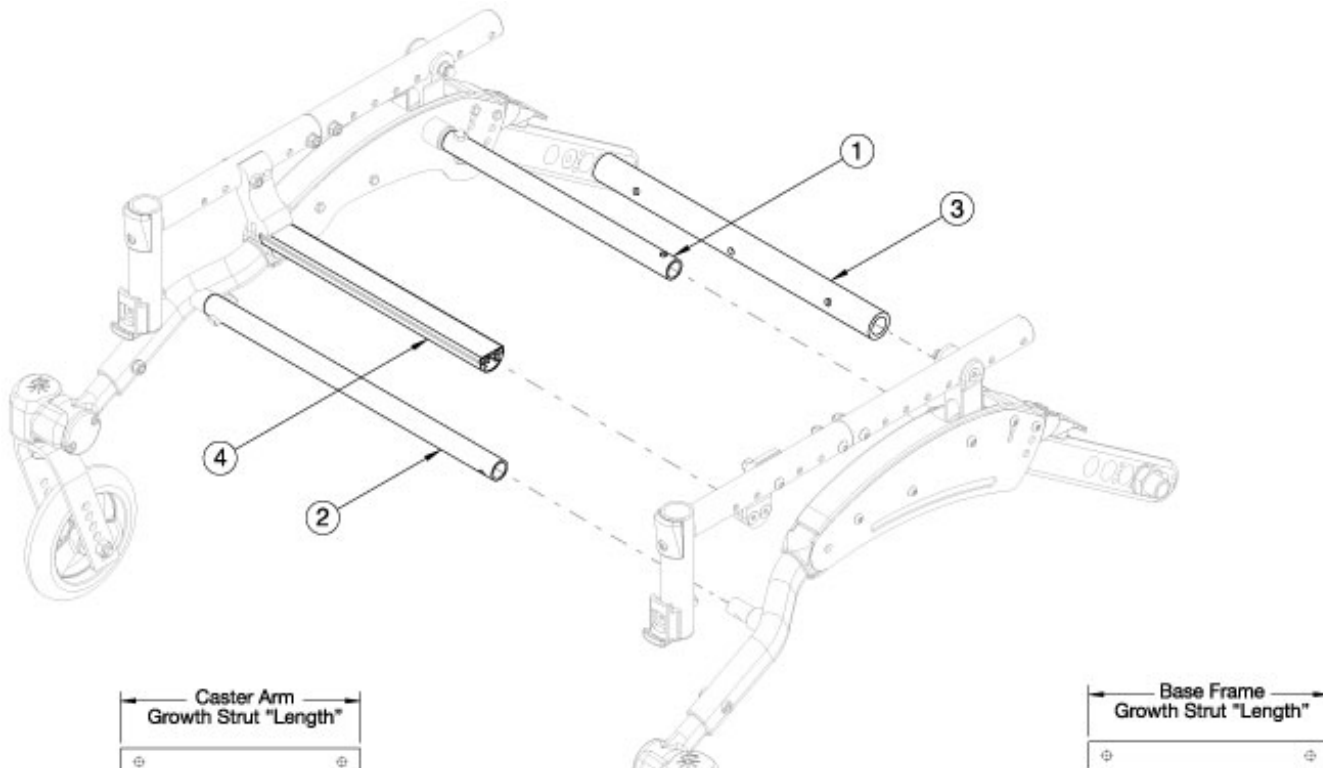


Flip Strut Kits - Growth (Width)



Caster Arm Growth Strut Length		
Part No.	Used on Width	Length
002631	10"	9.5"
002632	11"	10.5"
002633	12"	11.5"
002634	13"	12.5"
002635	14"	13.5"
002636	15"	14.5"
002637	16"	15.5"
002638	17"	16.5"
002639	18"	17.5"

Base Frame Growth Strut Length		
Part No.	Used on Width	Length
002719	10"	6.5"
002629	11"	7.5"
002630	12"	8.5"
002631	13"	9.5"
002632	14"	10.5"
002633	15"	11.5"
002634	16"	12.5"
002635	17"	13.5"
002636	18"	14.5"

Does your chair configuration contain an attendant foot lock or drum brake? If yes, please disregard these kits and see the specific growth wheel lock pages for the appropriate strut kits.

Item Number	Part Number	Description	Quantity
1-4	502859	Strut Kit 10" Wide Flip	1
1-4	502860	Strut Kit 11" Wide Flip	1
1-4	502861	Strut Kit 12" Wide Flip	1
1-4	502862	Strut Kit 13" Wide Flip	1

Item Number	Part Number	Description	Quantity
1-4	502863	Strut Kit 14" Wide Flip	1
1-4	502864	Strut Kit 15" Wide Flip	1
1-4	502865	Strut Kit 16" Wide Flip	1
1-4	502866	Strut Kit 17" Wide Flip	1
1-4	502867	Strut Kit 18" Wide Flip	1
1-4, 5	115119	Strut Kit 10" Wide with Wear Strip Flip <i>Select if chair has Foot Tilt</i>	1
1-4, 5	115120	Strut Kit 11" Wide with Wear Strip Flip <i>Select if chair has Foot Tilt</i>	1
1-4, 5	115121	Strut Kit 12" Wide with Wear Strip Flip <i>Select if chair has Foot Tilt</i>	1
1-4, 5	115122	Strut Kit 13" Wide with Wear Strip Flip <i>Select if chair has Foot Tilt</i>	1
1-4, 5	115123	Strut Kit 14" Wide with Wear Strip Flip <i>Select if chair has Foot Tilt</i>	1
1-4, 5	115124	Strut Kit 15" Wide with Wear Strip Flip <i>Select if chair has Foot Tilt</i>	1
1-4, 5	115125	Strut Kit 16" Wide with Wear Strip Flip <i>Select if chair has Foot Tilt</i>	1
1-4, 5	115126	Strut Kit 17" Wide with Wear Strip Flip <i>Select if chair has Foot Tilt</i>	1
1-4, 5	115127	Strut Kit 18" Wide with Wear Strip Flip <i>Select if chair has Foot Tilt</i>	1