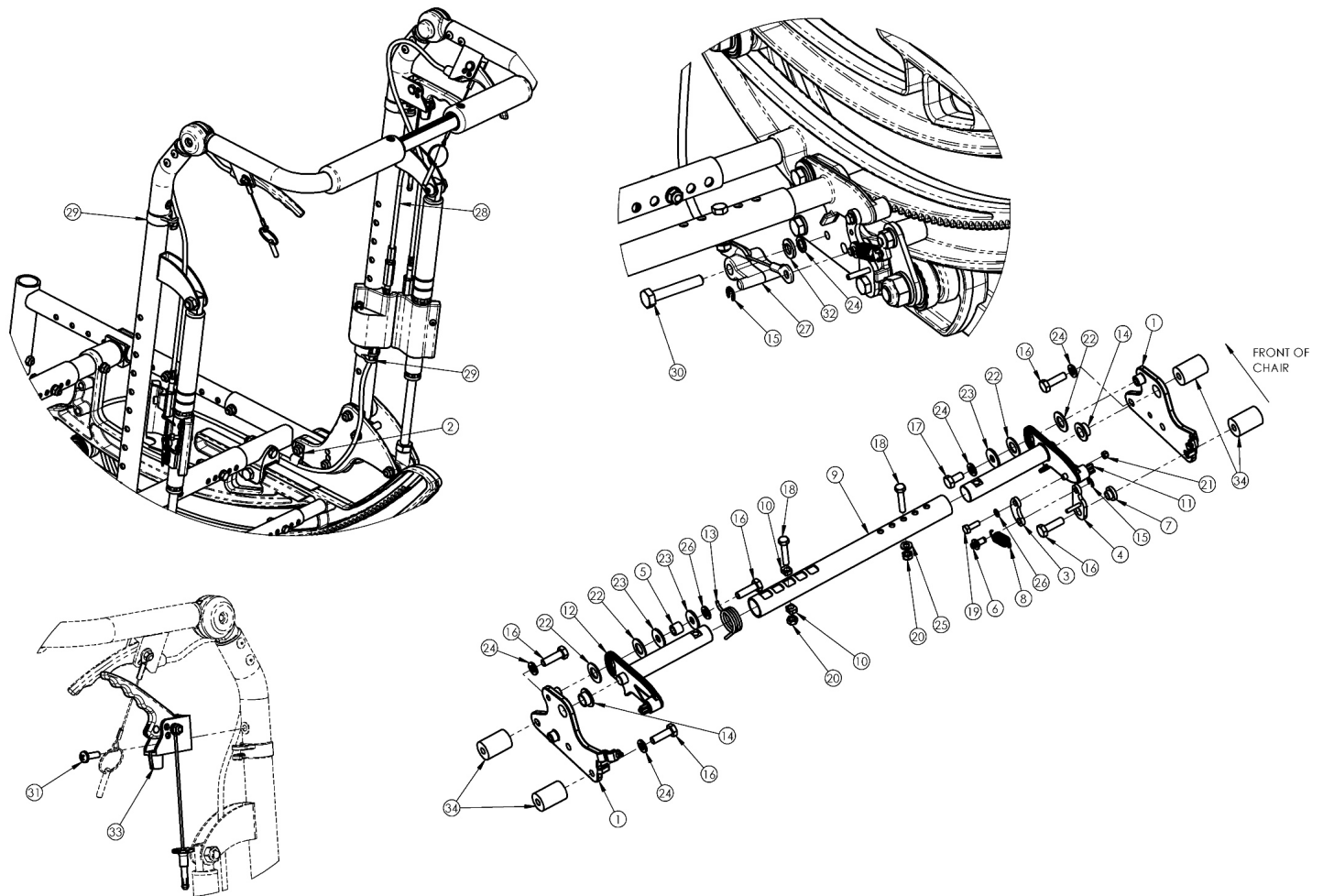


# (Discontinued 1) Focus CR Hand Tilt Mechanism Reclining Back



*This Focus CR Hand Tilt is discontinued and was used on chairs prior to a March 5th, 2018 invoice date.*

Item Number	Part Number	Description	Quantity	Retail
1a, 14	500872	Tilt Lock Mount Bracket w/ Bearing Kit, Right, Focus, Fixed Height	1	\$19.27
1b, 14	500873	Tilt Lock Mount Bracket w/ Bearing Kit, Left, Focus, Fixed Height	1	\$19.27
31, 33	110139	Lever Assembly with Lanyard Vertical Tilt	1	\$34.00
2	001239	P-Clip 3/16"	1	\$6.30
3	003247	Link, Drive, Tilt	1	\$12.87
4a	002084	Toggle, Drive, Tilt, R	1	\$11.28
4b	002085	Toggle, Drive, Tilt, L	1	\$20.45

Item Number	Part Number	Description	Quantity	Retail
5	002086	Spacer, .38ODx.24IDx.31LG	1	\$2.42
6	003364	Pin, Toggle, Tilt	1	\$7.25
9a	002094	Growth Strut, Tilt Lock, Small	1	\$33.62
9b	002095	Growth Strut, Tilt Lock, Med	1	\$35.72
9c	002096	Growth Strut, Tilt Lock, Large	1	\$37.82
10	002097	Insert, Drive, Tilt	2	\$3.86
11	002411	Cog Lever, Tilt Lock, R	1	\$38.59
12	002412	Cog Lever, Tilt Lock, L	1	\$38.59
13a	001109	Spring Tilt Lock Right TILT <i>Used with left side assembly</i>	1	\$4.71
13b	001110	Spring Tilt Lock Left TILT <i>Used with right side assembly</i>	1	\$4.71
16a	101823	M6 x 20 HHCS Blk Zn <i>Standard weight capacity requires qty 5; Heavy Duty requires qty of 1</i>	5	\$1.05
16b	100674	M6 x 45 CLS10.9 DIN931 HHCS ZC <i>Used with Heavy Duty option/spacer</i>	3	\$1.58
16c	101826	M6 x 50 HHCS Blk Zn <i>Used on drive side tilt with Heavy Duty option/spacer</i>	1	\$2.10
17	101822	M6 x 12 HHCS BLKZC w/Patch	1	\$1.05
18	101821	M5 x 25 HHCS Blk Zn	2	\$1.05
19	102783	M3 x 12 HHCS, CL8.8, Blk Zn	1	\$1.05
20	100657	M5 Nylock Nut Blk Zn	2	\$0.53
21	102784	Nut, Nylock, M3, Blk	2	\$1.05
22	102082	Washer Nylon .406IDX.75ODX.040	4	\$0.56
23	101853	M6 Washer Blk Zn	3	\$0.53
24	101835	M6 Lock Washer Blk Zn	6	\$0.53
25	101856	Flat Washer, M5, Blk Zn	1	\$0.53
26	102785	Flat Washer, M3, Blk Zn	1	\$0.53
27	003387	Cable Mount, Tilt	1	\$3.68
28a	002100	Cable, Tilt, Short	1	\$107.16

Item Number	Part Number	Description	Quantity	Retail
		<i>Used with short back height range</i>		
28b	002101	Cable, Tilt, Med <i>Used with tall back height range</i>	1	\$107.16
29	001117	Cable Clip 1"	1	\$3.83
30	101824	M6 x 30 HHCS Blk Zn	1	\$2.10
31	100734	M5 x 16 PHMS ZC	1	\$1.58
32	102803	Washer Flat .250 x .500 x .027 HX BLZ	1	\$1.58
34	001405	Spacer, .69OD x .24ID x .1.01Lg <i>Only used with Heavy Duty Option</i>	4	\$26.05