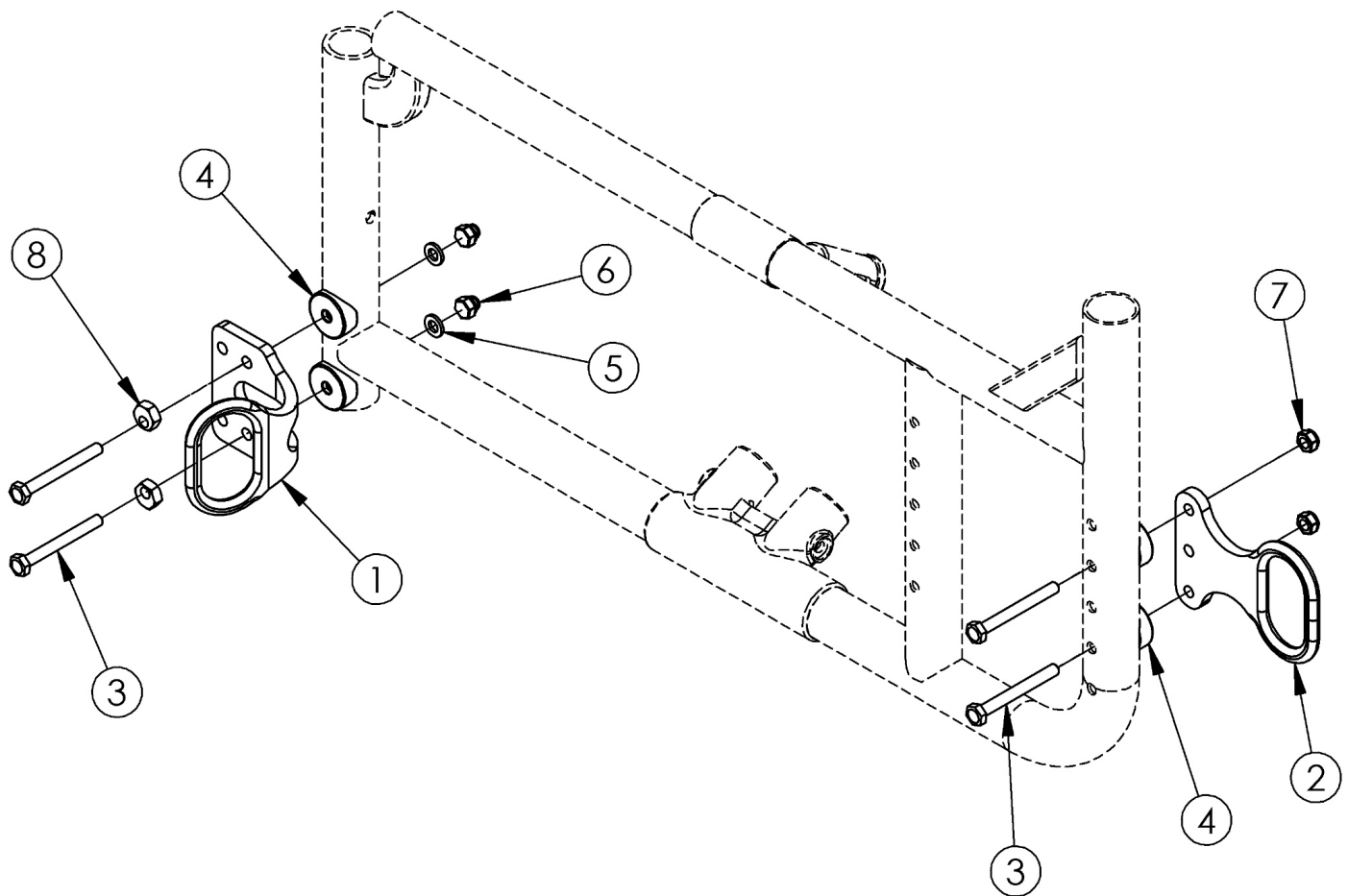


Catalyst 5 and Spark Transit



Notice: Chair configuration review required prior to parts being quoted or ordered. Not available with Heavy Duty Option, Reclining Backrest or Removable Aluminum Seat Pan See Axle Plate pages for all mounting hardware If retrofitting to add transit, please reference the axle plate and anti-tip parts manual pages to ensure the appropriate spacers and hardware are included. Example: Amputee Axle plates require specific hardware and spacers off of the anti-tip receiver parts manual page.

Item Number	Part Number	Description	Quantity
1-2, 3a-3f, 4a-4b, 5-8	500548	Transit Bracket Retrofit Kit CAT5 / SPARK <i>Not available with Heavy Duty Option. This kit is a complete retrofit, containing a pair of front and rear transit brackets and hardware.</i>	1
3a	100674	M6 x 45 CLS10.9 DIN931 HHCS ZC	8
3b	101826	M6 x 50 HHCS Blk Zn	8
3c	100676	M6 x 55 CLS10.9 DIN931 HHCS ZC	4
3d	100677	M6 x 60 CLS10.9 DIN931 HHCS ZC	8
3e	100679	M6 x 65 CLS 8.8 DIN931 HHCS ZC	4

Item Number	Part Number	Description	Quantity
3f	100680	M6 x 70 CLS 8.8 DIN931 HHCS ZC	4
4a	000056	Saddle 1 1/8"	10
4b	000055	Saddle 1"	6
5	100746	M6 Flat Washer Blk Zn	4
6	100558	M6 Nyl Ins Domed Cap L/N Zc	4
7	100658	M6 Nylock Nut Blk Zn	8
8	100510	Eccentric Washer	4