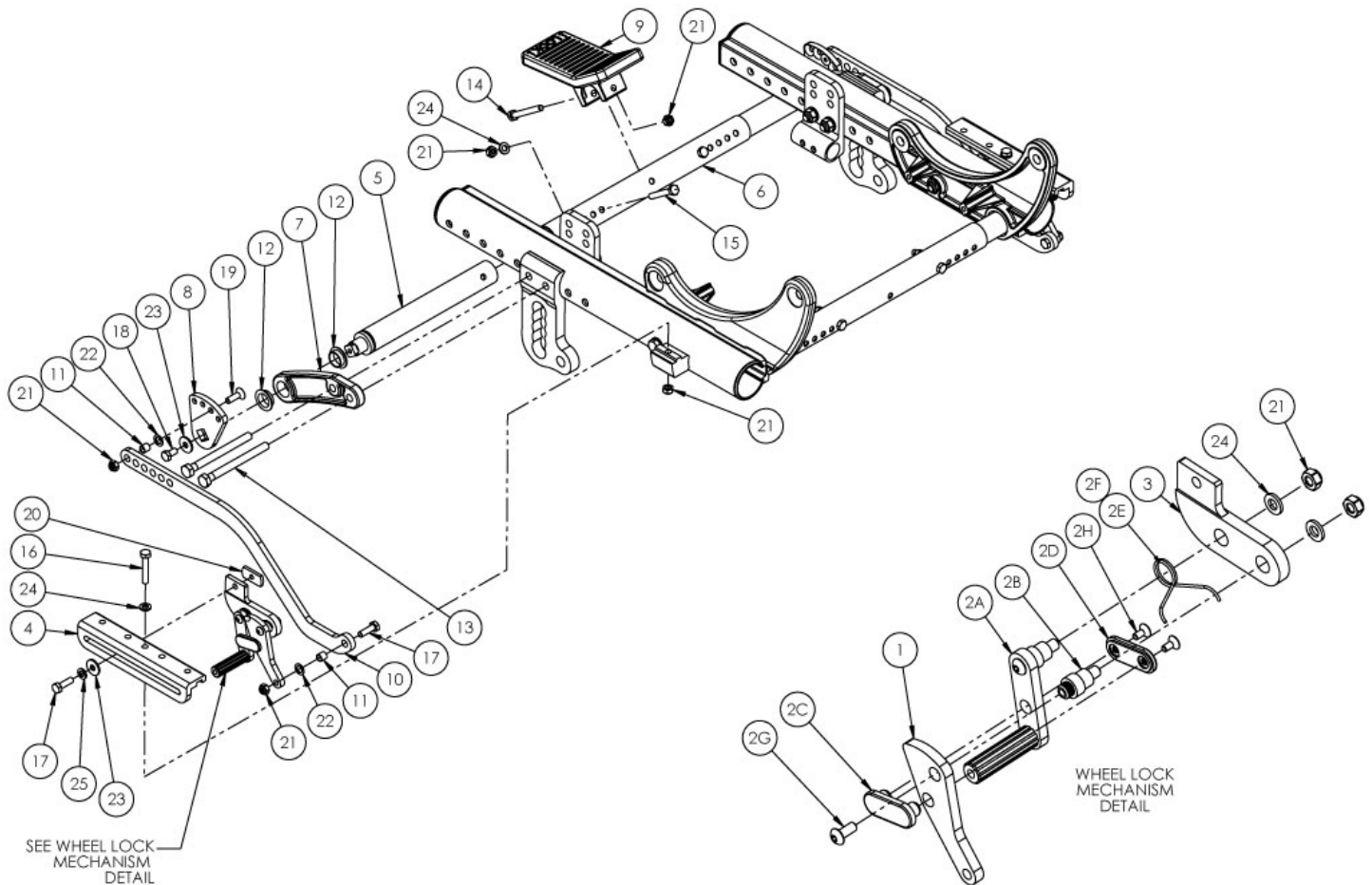


Focus CR Inverted Attendant Foot Lock



Growth Struts Based on Frame Width Range

Item Number	Part Number	Description	Quantity	Retail
6a, 15, 21, 24	501123	Base/Axle/Foot Lock Strut Assembly Small Focus	1	\$24.78
6b, 15, 21, 24	501124	Base/Axle/Foot Lock Strut Assembly Medium Focus	1	\$24.78
6c, 15, 21, 24	501125	Base/Axle/Foot Lock Strut Assembly Large Focus	1	\$24.78
6d, 15, 21, 24	114284	Base/Axle/Foot Lock Strut Assembly X-Large Focus	1	\$26.87
1-5, 6a, 7-25	506835	Foot Lock Inverted Retrofit Kit, Small, Focus <i>Use this kit if retrofitting to an Inverted Attendant Foot Lock</i>	1	\$708.28
1-5, 6b, 7-25	506836	Foot Lock Inverted Retrofit Kit, Medium, Focus <i>Use this kit if retrofitting to an Inverted Attendant Foot Lock</i>	1	\$708.28
1-5, 6c, 7-25	506837	Foot Lock Inverted Retrofit Kit, Large, Focus <i>Use this kit if retrofitting to an Inverted Attendant Foot Lock</i>	1	\$708.28
1-5, 6d, 7-25	114287	Foot Lock Inverted Retrofit Kit, X-Large, Focus	1	\$696.48

Item Number	Part Number	Description	Quantity	Retail
		<i>Use this kit if retrofitting to an Inverted Attendant Foot Lock</i>		
1-5, 7-14, 16-25	501434	Foot Lock Kit Inverted Axle Plate Focus	1	\$704.75
1a, 2a- 2h	001142	Wheel Lock Foot Right Tilt	1	\$83.53
1b, 2a-2h	001143	Wheel Lock Foot Left Tilt	1	\$83.53
1a, 1b, 2a - 2h	502178	Foot Wheel Lock Lever and Wheel Lock Linkage Kit PAIR	1	\$167.05
3	003774	Wheel Lock Mount Inverted Axle Plate Push/Attendant <i>Replaced 001396</i>	2	\$31.84
4	001398	Wheel Lock Mount Bar Inverted Axle Plate	2	\$21.87
5	001145	Strut Foot Lock Tilt	2	\$75.33
6a	001011	Growth Strut, Base, Small Tilt	1	\$18.91
6b	001012	Growth Strut, Base, Medium Tilt	1	\$18.91
6c	001013	Growth Strut, Base, Large Tilt	1	\$18.91
6d	112005	Growth Strut, Base, X-Large Tilt	1	\$21.00
7	001427	Tube Mount Foot Lock Tilt	2	\$17.87
8	001150	Index Plate Foot Lock Tilt	2	\$33.05
9	001397	Pedal Foot Lock 2-Way Tilt	1	\$10.93
10	001406	Linkage Foot Lock Inverted Axle Plate	2	\$30.61
11	001156	Pivot Bushing Tilt	4	\$5.62
12	001157	IGUS Bushing GFM-1618-06	4	\$15.76
13a	103513	M8 x 120 HHCS Blk Zn <i>Use quantity 1 of 103513 and quantity 1 of 101832 per side when Foot Tilt is present</i>	2	\$4.20
13b	101832	M8 x 90 HHCS Blk Zn <i>Use quantity 2 per side when Hand Tilt is present</i>	4	\$3.68
14	101826	M6 x 50 HHCS Blk Zn	1	\$2.10
15	101825	M6 x 40 HHCS Blk Zn	2	\$1.05
16	102386	M6 x 35mm HHCS Blk Zc	2	\$1.05
17	101823	M6 x 20 HHCS Blk Zn	4	\$1.05
18	101822	M6 x 12 HHCS BLKZC w/Patch	2	\$1.05
19	100866	M6 x 20 CLS12.9 DIN7991 FSHCS Blk Zc w/Patch	2	\$2.63

Item Number	Part Number	Description	Quantity	Retail
20	001141	Weld Nut NDM 06028 Zinc	2	\$2.63
21	100658	M6 Nylock Nut Blk Zn	13	\$1.05
22	101861	Nylon Washer 5/16 x 1/2 x .03	4	\$0.53
23	101853	M6 Washer Blk Zn	2	\$0.53
24	100746	M6 Flat Washer Blk Zn	8	\$1.58
25	101835	M6 Lock Washer Blk Zn	2	\$0.53
7, 12	501435	Foot Lock Tube Mount with Bearings Focus	1	\$24.92

Inverted axle plates are not used with wheels 20" or larger.

Wheel	Tire	Caster	Standard Axle Plate Seat Heights	Inverted Axle Plate Seat Heights
12" Mag	Pneumatic	5"	13.5" - 14.5"	17.5" - 19.5"
12" Mag	Pneumatic	6"	14.5"	17.5" - 19.5"
12" Mag	Pneumatic	6x2"	14.5"	17.5" - 19.5"
12" Mag	Pneumatic	7"	n/a	17.5" - 19.5"
12" Mag	Pneumatic	8"	n/a	17" - 19.5"
12" Mag	Pneumatic	8"x1.5"	n/a	17.5" - 19.5"
12" Mag	Pneumatic	8x2"	n/a	17.5" - 19.5"
12" Mag	Full Poly	5"	n/a	16.5" - 19"
12" Mag	Full Poly	6"	n/a	16.5" - 19"
12" Mag	Full Poly	6x2"	n/a	16.5" - 19"
12" Mag	Full Poly	7"	n/a	16.5" - 19"
12" Mag	Full Poly	8"	n/a	16." - 18.5"
12" Mag	Full Poly	8"x1.5"	n/a	16.5" - 19"
12" Mag	Full Poly	8x2"	n/a	17" - 18.5"
12" Mag w/ Drum Brake	Pneumatic	5"	13" - 14.5"	17.5" - 20"
12" Mag w/ Drum Brake	Pneumatic	6"	14" - 14.5"	17.5" - 19.5"
12" Mag w/ Drum Brake	Pneumatic	6x2"	14" - 14.5"	17.5" - 20"
12" Mag w/ Drum Brake	Pneumatic	7"	n/a	17.5" - 20"
12" Mag w/ Drum Brake	Pneumatic	8"	n/a	17.5" - 20"
12" Mag w/ Drum Brake	Pneumatic	8"x1.5"	n/a	17.5" - 19.5"
12" Mag w/ Drum Brake	Pneumatic	8x2"	n/a	17.5" - 19.5"
12" Mag w/ Drum Brake	Full Poly	5"	13" - 14.5"	17.5" - 19.5"
12" Mag w/ Drum Brake	Full Poly	6"	14" - 14.5"	17.5" - 19.5"
12" Mag w/ Drum Brake	Full Poly	6x2"	14" - 14.5"	17.5" - 19.5"
12" Mag w/ Drum Brake	Full Poly	7"	n/a	17.5" - 19.5"
12" Mag w/ Drum Brake	Full Poly	8"	n/a	17.5" - 19.5"
12" Mag w/ Drum Brake	Full Poly	8"x1.5"	n/a	17.5" - 19.5"
12" Mag w/ Drum Brake	Full Poly	8x2"	n/a	17.5" - 19.5"

Inverted axle plates are not used with wheels 20" or larger.

Wheel	Tire	Caster	Standard Axle Plate Seat Heights	Inverted Axle Plate Seat Heights
16" Mag	Pneumatic	5"	13" - 16"	19" - 20.5"
16" Mag	Pneumatic	6"	14" - 16"	19" - 20.5"
16" Mag	Pneumatic	6x2"	14" - 16"	19" - 20.5"
16" Mag	Pneumatic	7"	15" - 16"	19" - 20.5"
16" Mag	Pneumatic	8"	16"	19" - 20.5"
16" Mag	Pneumatic	8"x1.5"	15.5" - 16"	19" - 20.5"
16" Mag	Pneumatic	8x2"	16"	19" - 20.5"
16" Mag	Full Poly	5"	13" - 16.5"	19" - 20.5"
16" Mag	Full Poly	6"	14" - 16.5"	19" - 20.5"
16" Mag	Full Poly	6x2"	14" - 16.5"	19" - 20.5"
16" Mag	Full Poly	7"	15" - 16.5"	19.5" - 20.5"
16" Mag	Full Poly	8"	16"	19" - 20.5"
16" Mag	Full Poly	8"x1.5"	15.5" - 16.5"	19" - 20.5"
16" Mag	Full Poly	8x2"	16" - 16.5"	19" - 20.5"
16" Mag	Low Poly	5"	13" - 15"	18" - 20"
16" Mag	Low Poly	6"	14" - 15"	18" - 20"
16" Mag	Low Poly	6x2"	14" - 15"	18" - 20.5"
16" Mag	Low Poly	7"	n/a	18" - 20.5"
16" Mag	Low Poly	8"	n/a	18" - 20.5"
16" Mag	Low Poly	8"x1.5"	n/a	18" - 20"
16" Mag	Low Poly	8x2"	n/a	18" - 20"
16" Mag w/ Drum Brake	All	5"	13.5" - 16"	19" - 20.5"
16" Mag w/ Drum Brake	All	6"	14" - 16"	18.5" - 20.5"
16" Mag w/ Drum Brake	All	6x2"	14" - 16"	18.5" - 20.5"
16" Mag w/ Drum Brake	All	7"	15" - 15.5"	18.5" - 20.5"
16" Mag w/ Drum Brake	All	8"	n/a	18.5" - 20.5"
16" Mag w/ Drum Brake	All	8"x1.5"	15.5" - 16"	18.5" - 20.5"
16" Mag w/ Drum Brake	All	8x2"	16"	18.5" - 20.5"