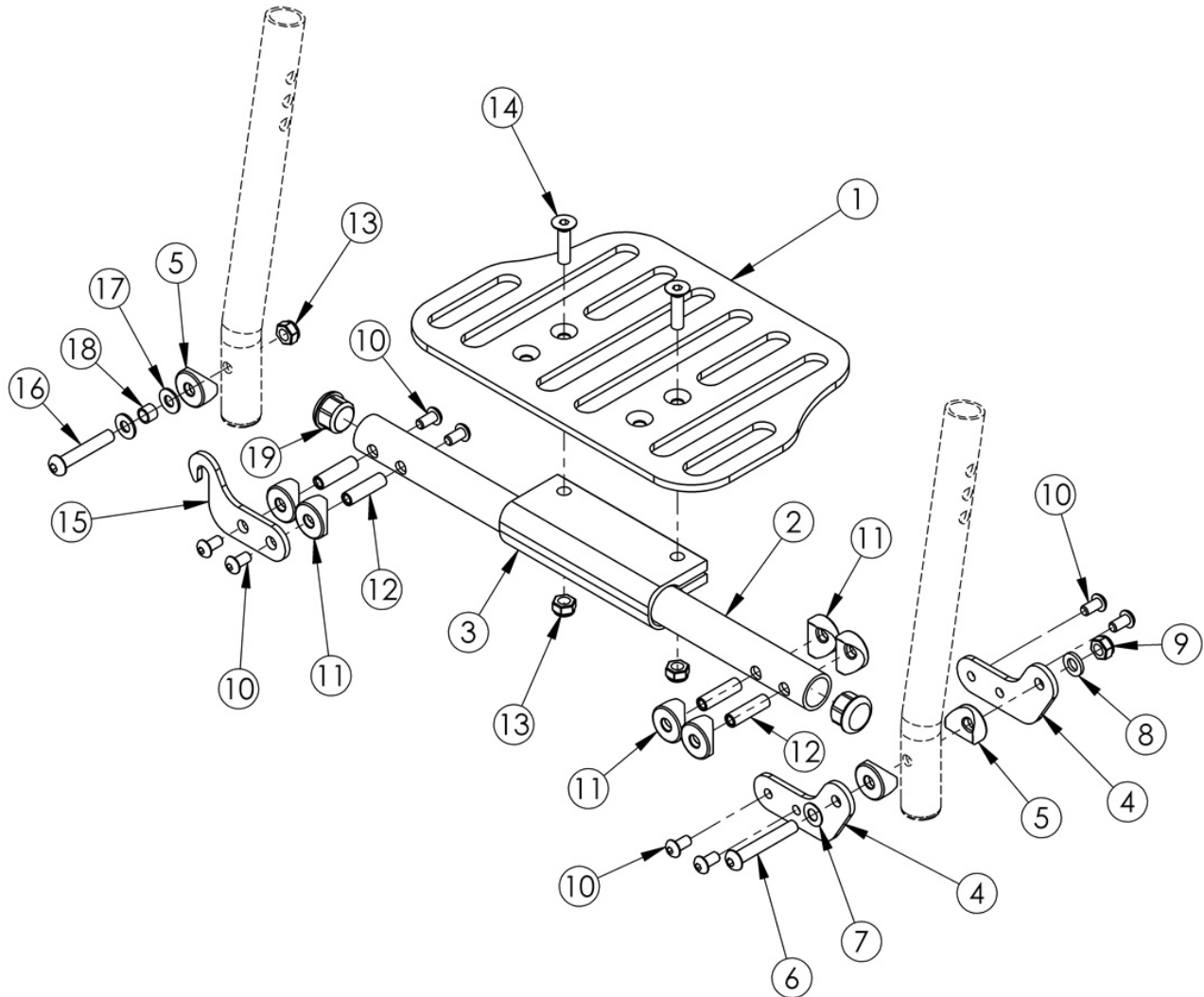


One Piece Flip Up Footplate



Assemblies are based on seat width. If Tilt chair has Offset Frame, add 2" to seat width Only compatible with extension tube hangers.

Item Number	Part Number	Description	Quantity
3-19	112894	Hardware Assembly for One Piece Flip Up Footplate	1
1a, 2a, 3-19	500517	Footrest Assembly One Piece Flip 14" Wide	1
1a, 2b, 3-19	500518	Footrest Assembly One Piece Flip 15" Wide	1
1a, 2c, 3-19	500519	Footrest Assembly One Piece Flip 16" Wide	1

Item Number	Part Number	Description	Quantity
1b, 2d, 3-19	500520	Footrest Assembly One Piece Flip 17" Wide	1
1b, 2e, 3-19	500521	Footrest Assembly One Piece Flip 18" Wide	1
1b, 2f, 3-19	500522	Footrest Assembly One Piece Flip 19" Wide	1
1b, 2g, 3-19	500523	Footrest Assembly One Piece Flip 20" Wide	1
1c, 2h, 3-19	502399	Footrest Assembly One Piece Flip 21" Wide	1
1c, 2i, 3-19	502400	Footrest Assembly One Piece Flip 22" Wide	1
1c, 2j, 3-19	114298	Footrest Assembly One Piece Flip 23" Wide	1
1c, 2k, 3-19	114299	Footrest Assembly One Piece Flip 24" Wide	1
1c, 2l, 3-19	114300	Footrest Assembly One Piece Flip 25" Wide	1
1c, 2m, 3-19	114301	Footrest Assembly One Piece Flip 26" Wide	1
1a	000226	Footrest Platform Angle Adjustable 8"	1
1b	000227	Footrest Platform Angle Adjustable 10"	1
1c	001319	Footrest Platform Angle Adjustable 12"	1
2a	000357	14" Footrest Tube, One Piece Flip Up	1
2b	000358	15" Footrest Tube, One Piece Flip Up	1
2c	000359	16" Footrest Tube, One Piece Flip Up	1
2d	000360	17" Footrest Tube, One Piece Flip Up	1
2e	000361	18" Footrest Tube, One Piece Flip Up	1
2f	000362	19" Footrest Tube, One Piece Flip Up	1
2g	000363	20" Footrest Tube, One Piece Flip Up	1
2h	002424	21" Footrest Tube, One Piece Flip Up	1
2i	002425	22" Footrest Tube, One Piece Flip Up	1
2j	112890	23" Footrest Tube, One Piece Flip Up	1
2k	112891	24" Footrest Tube, One Piece Flip Up	1
2l	112892	25" Footrest Tube, One Piece Flip Up	1
2m	112893	26" Footrest Tube, One Piece Flip Up	1
3	100789	Footrest Adjustable Clamp 5"	1
4	000355	Flip Up Footrest Pivot	2

Item Number	Part Number	Description	Quantity
5	000053	Saddle 3/4"	3
6	100797	M6 x 40 BHCS BLK ZC	1
7	101455	M6 Belleville Washer (.252 x .551 x .050)	1
8	100746	M6 Flat Washer Blk Zn	1
9	120030	M6 Top Lock Nut	1
10	100669	M5 x 10 BTN SHCS BLKZC w/Patch	8
11	000353	Saddle - 3/4" .266 ID	6
12	000073	M5 x 24 Threaded Barrel	4
13	100658	M6 Nylock Nut Blk Zn	3
14	100662	M6 x 25 FSHCS BLK ZC	2
15	000356	Flip Up Footrest Latch	1
16	101811	M6 x 35 BHCS Blk Zn	1
17	100831	1/2" Washer OD .040" Thick	2
18	000354	Flip Up Ferrule	1
19	100638	Tube End Plug 3/4"	2