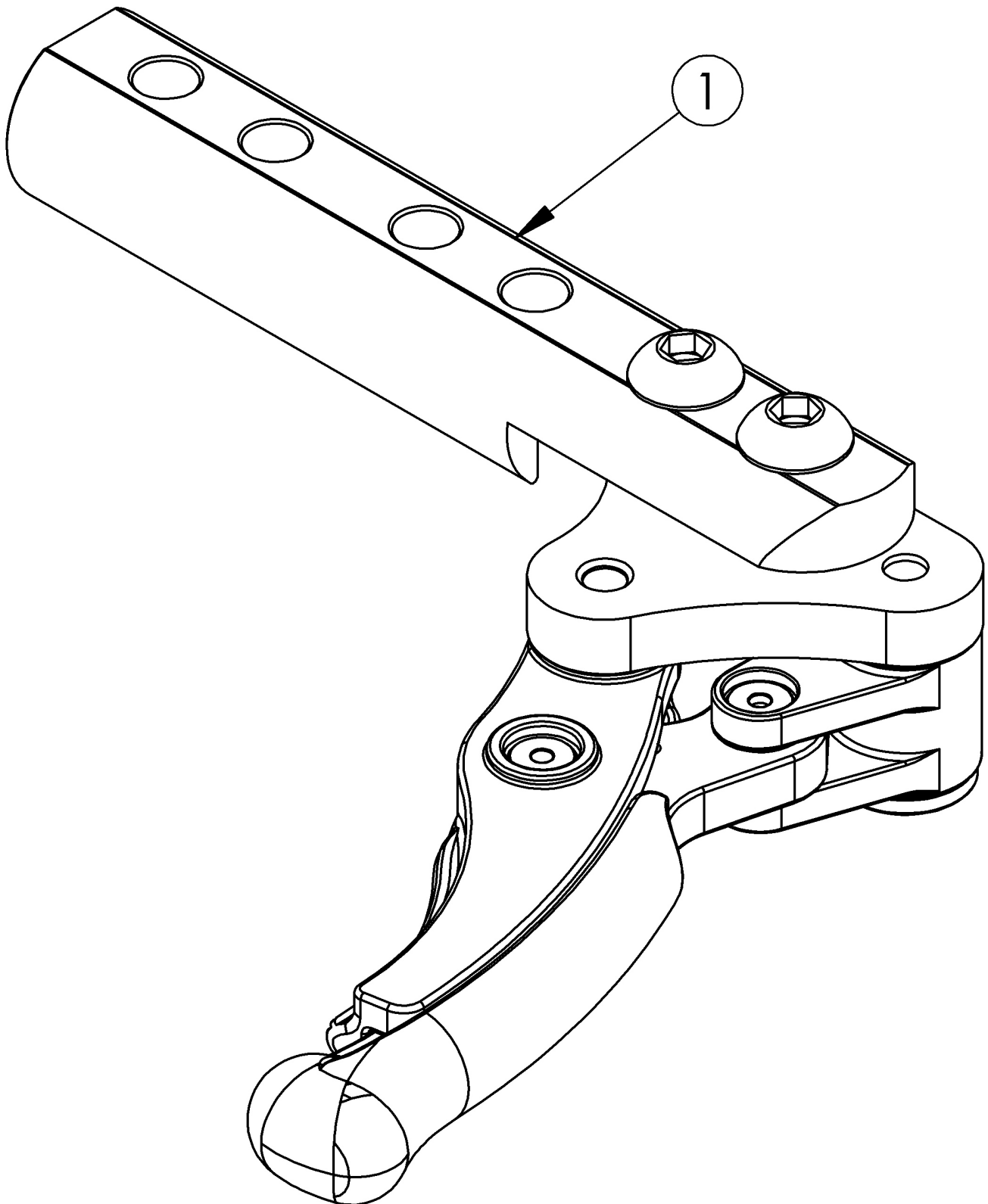


Low Profile Scissor Lock



Ethos: if adding Wheel Locks to a chair, new Front ISO Towers are required

Item Number	Part Number	Description	Quantity
1a, 1b	124905	Low Profile Scissor Lock with Instruction PAIR	1
1a	108212	Low Profile Scissor Lock with Instruction, Right <i>This kit contains 107188 wheel lock along with an instruction for reversing the wheel lock. Replaced kit 506660.</i>	1
1b	108213	Low Profile Scissor Lock with Instruction, Left <i>This kit contains 107189 wheel lock along with an instruction for reversing the wheel lock. Replaced kit 506659.</i>	1