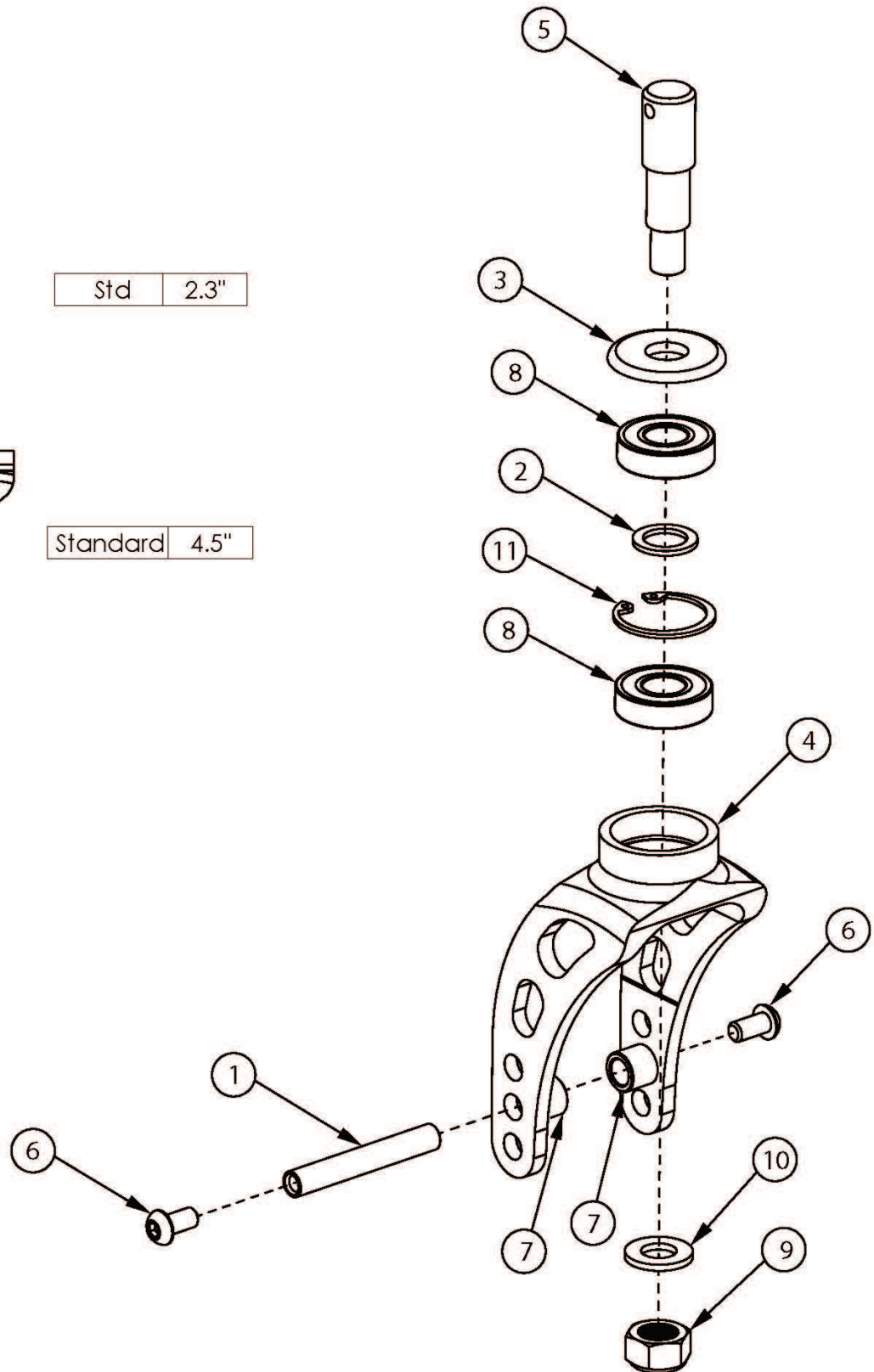
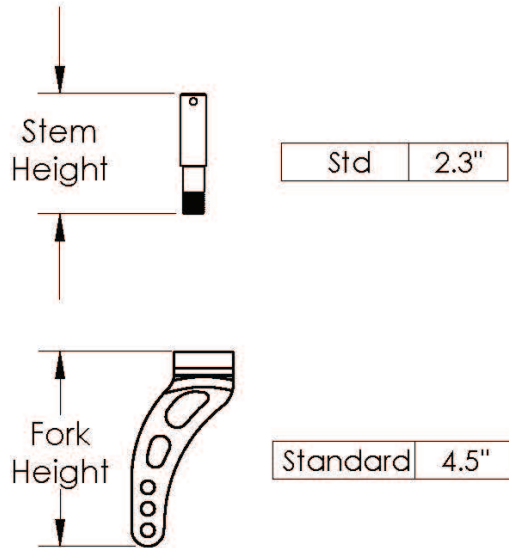


# Ethos Caster Fork and Stem



If retro-fitting to this fork, new caster sleeves may be required New front base frame is required if retro-fitting from a Frog Leg Fork

Item Number	Part Number	Description	Quantity
2, 4a, 8, 9, 11	004354INST	Standard Rigid Fork Streamline Assembly, Black Anodized with Instruction	1
2, 4b, 8, 9, 11	004354_ _ _	Standard Rigid Fork Streamline Assembly, Color Anodized	1
2, 3a, 4a, 5, 8-11	107307	Standard Rigid Fork Streamline Assembly with Std Stem, Black Anodized	1
2, 3b, 4b, 5, 8-11	107308_ _ _	Standard Rigid Fork Streamline Assembly with Std Stem, Color Anodized	1
1, 6-7	116069	Caster Attachment Hardware Kit, Rigid	1
1	000422	M6 x 56 Threaded Barrel	1
3a	001355	Caster Bearing Cap Black Anodized	1
3b	001355_ _ _	Color Anodized Caster Bearing Cap	1
5	004111INST	Fork Stem Streamline, Standard with Instruction	1
6	100667	M6 x 12 BTN SHCS BLKZC w/Patch	2
7	100792	Caster Spacer D8 x D12 x 10mm / Close Mount Handrim Spacer	2
9	101840	M10 Nylock Nut Blk Zn	1
10	101859	M10 Flat Washer Blk Zn	1

# Ethos Reference: Caster and Fork Changes

When making changes to fork style, fork size and/or caster size use the chart below to determine if and what additional parts are required. The reference chart identifies the caster sleeve used to square the casters post configuration change and the necessary fork hole position required to maintain front seat height.

NOTE: Ethos ships in its original configuration from Ki Mobility with a zero degree caster sleeve. The rear base frame of Ethos should always be parallel to the ground.

## ANGLE OF CASTER SLEEVE REQUIRED

FORK		NEW OPTION																			
		STD	STD	STD	STD	SINGLE SIDED	SINGLE SIDED	SINGLE SIDED	SINGLE SIDED	FROG LEG	FROG LEG	FROG LEG	FROG LEG	FROG PHASE 2	FROG PHASE 2	FROG PHASE 2	FROG PHASE 2	SINGLE SIDED XSHORT	SINGLE SIDED XSHORT	SINGLE SIDED XSHORT	
CASTER DIAMETER		3	4	5	6	3	4	5	6	3	4	5	6	3	4	5	6	3	4	5	
OLD OPTION	STD	3	0 7B	0 7C	2 7C	N/A	2 7B	2 7C	3 7C	N/A	3 7B	3 7C	N/A	N/A	3 7C	3 7T	N/A	N/A	1 7B	1 7B	3 7B
	STD	4	0 7B	0 7C	2 7C	N/A	2 7B	2 7C	3 7C	N/A	3 7B	3 7C	N/A	N/A	3 7C	3 7T	N/A	N/A	1 7B	1 7B	3 7B
	STD	5	2 7B	2 7C	0 7C	3 7B	0 7B	0 7C	2 7C	N/A	2 7B	2 7C	3 7C	N/A	3 7B	3 7C	N/A	N/A	3 7B	1 7B	1 7B
	STD	6	N/A	3 7B	3 7C	0 7B	3 7B	3 7C	2 7C	2 7B	2 7B	2 7C	0 7C	3 7B	0 7B	0 7C	2 7C	N/A	N/A	N/A	3 7B
	SINGLE SIDED	3	2 7B	2 7C	0 7C	3 7B	0 7B	0 7C	2 7C	N/A	2 7B	2 7C	3 7C	N/A	3 7B	3 7C	N/A	N/A	3 7B	1 7B	1 7B
	SINGLE SIDED	4	2 7B	2 7C	0 7C	3 7B	0 7B	0 7C	2 7C	N/A	2 7B	2 7C	3 7C	N/A	3 7B	3 7C	N/A	N/A	3 7B	1 7B	1 7B
	SINGLE SIDED	5	3 7B	3 7C	2 7C	2 7B	2 7B	2 7C	0 7C	3 7B	0 7B	0 7C	2 7C	N/A	2 7B	2 7C	3 7C	N/A	N/A	3 7B	1 7B
	SINGLE SIDED	6	N/A	N/A	3 7B	2 7B	N/A	3 7B	3 7C	0 7B	3 7B	3 7C	2 7C	2 7B	2 7B	2 7C	0 7C	3 7B	N/A	N/A	N/A
	FROG LEG	3	3 7B	3 7C	2 7C	2 7B	2 7B	2 7C	0 7C	3 7B	0 7B	0 7C	2 7C	N/A	2 7B	2 7C	3 7C	N/A	N/A	3 7B	1 7B
	FROG LEG	4	3 7B	3 7C	2 7C	2 7B	2 7B	2 7C	0 7C	3 7B	0 7B	0 7C	2 7C	N/A	2 7B	2 7C	3 7C	N/A	N/A	3 7B	1 7B
	FROG LEG	5	N/A	3 7B	3 7C	0 7B	3 7B	3 7C	2 7C	2 7B	2 7B	2 7C	0 7C	3 7B	0 7B	0 7C	2 7C	N/A	N/A	N/A	3 7B
	FROG LEG	6	N/A	N/A	N/A	3 7B	N/A	N/A	3 7B	2 7B	N/A	3 7B	3 7C	0 7B	3 7B	3 7C	2 7C	2 7B	N/A	N/A	N/A
	FROG PHASE 2	3	N/A	3 7B	3 7C	0 7B	3 7B	3 7C	2 7C	2 7B	2 7B	2 7C	0 7C	3 7B	0 7B	0 7C	2 7C	N/A	N/A	N/A	3 7B
	FROG PHASE 2	4	N/A	3 7B	3 7C	0 7B	3 7B	3 7C	2 7C	2 7B	2 7B	2 7C	0 7C	3 7B	0 7B	0 7C	2 7C	N/A	N/A	N/A	3 7B
	FROG PHASE 2	5	N/A	N/A	3 7B	2 7B	N/A	3 7B	3 7C	0 7B	3 7B	3 7C	2 7C	2 7B	2 7B	2 7C	0 7C	3 7B	N/A	N/A	N/A
	FROG PHASE 2	6	N/A	N/A	N/A	N/A	N/A	N/A	N/A	3 7B	N/A	N/A	3 7B	2 7B	N/A	3 7B	3 7C	0 7B	N/A	N/A	N/A
	SINGLE SIDED XSHORT	3	1 7B	1 7C	3 7C	N/A	3 7B	3 7B	N/A	N/A	3 7C	3 7T	N/A	N/A	N/A	N/A	N/A	N/A	0 7B	2 7B	3 7B
	SINGLE SIDED XSHORT	4	1 7B	1 7C	1 7C	N/A	1 7B	1 7B	3 7B	N/A	3 7B	N/A	N/A	N/A	3 7C	3 7T	N/A	N/A	2 7B	0 7B	2 7B
	SINGLE SIDED XSHORT	5	3 7B	3 7C	1 7C	3 7B	1 7B	1 7B	1 7B	N/A	1 7B	1 7C	3 7C	N/A	3 7B	3 7C	N/A	N/A	3 7B	2 7B	0 7B

Key	
N/A	Change cannot be accommodated using just a caster sleeve. Please contact customer service to process this order.
B	Bottom fork hole.
C	Center fork hole.
T	Top fork hole.

# Color Anodizing Samples

