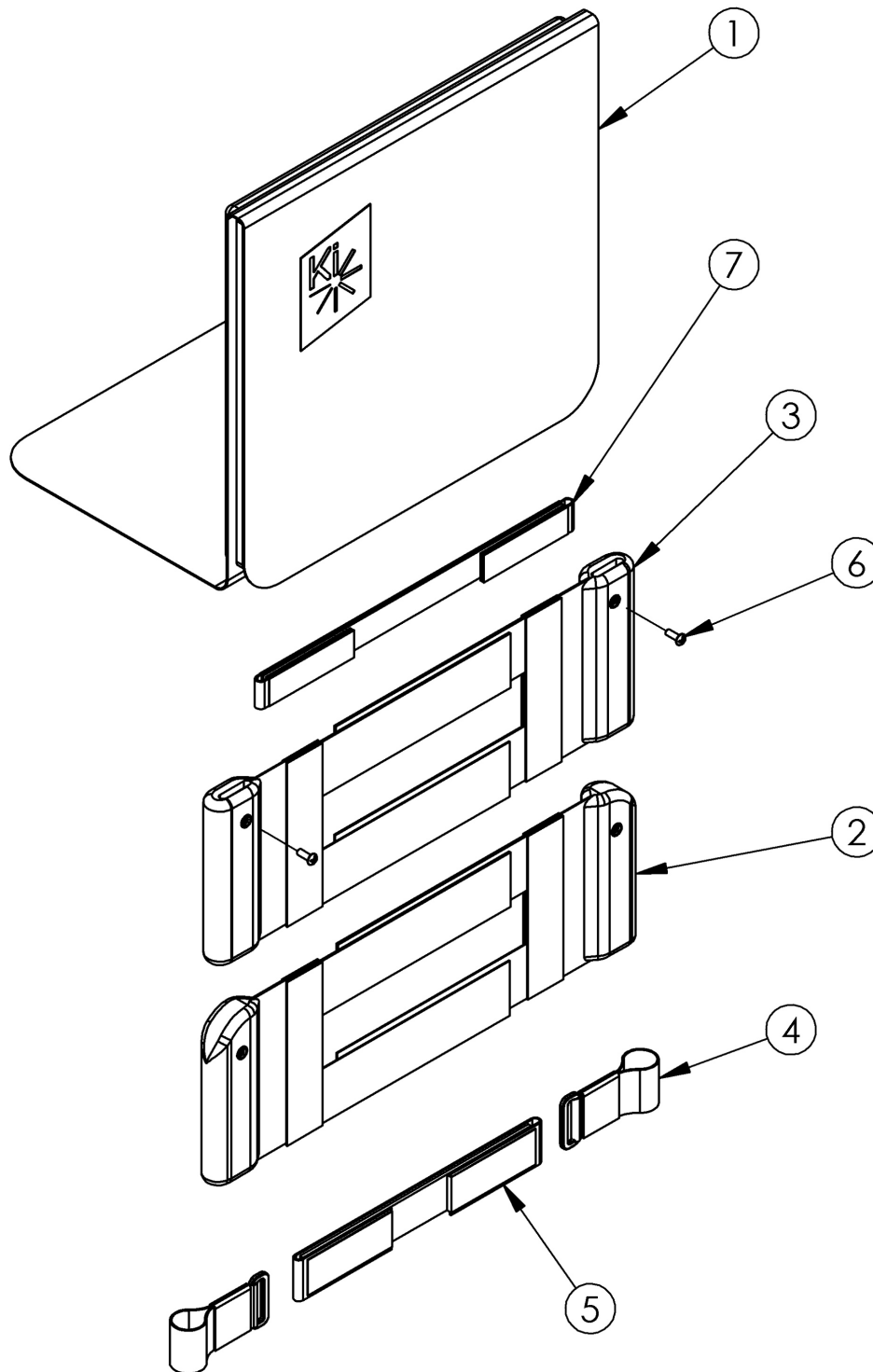


Discontinued 1 Rigid Padded Velcro Adjustable Back Upholstery



This Padded Velcro Adjustable Back Upholstery was effective prior to November 2016. Please see Rigid Padded Velcro Adjustable Back Upholstery page for current assemblies.

Item Number	Part Number	Description	Quantity
1a	101166	Backrest Cover 10LW 10-16.5	1
1j	105067	Backrest Cover 21C 20R 10-13.5	1
1k	105030	Backrest Cover 22C 21R 10-13.5	1
1v	105072	Backrest Cover 22R 14-19.5	1
4	100973	Back Upholstery D-Ring	2
6	100734	M5 x 16 PHMS ZC	2
7a	001750	Tension Strap Folding Handle 14-15 Wide	1
7b	001751	Tension Strap Folding Handle 16-17 Wide	1
7c	001752	Tension Strap Folding Handle 18-19 Wide	1
7d	001753	Tension Strap Folding Handle 20-22 Wide	1